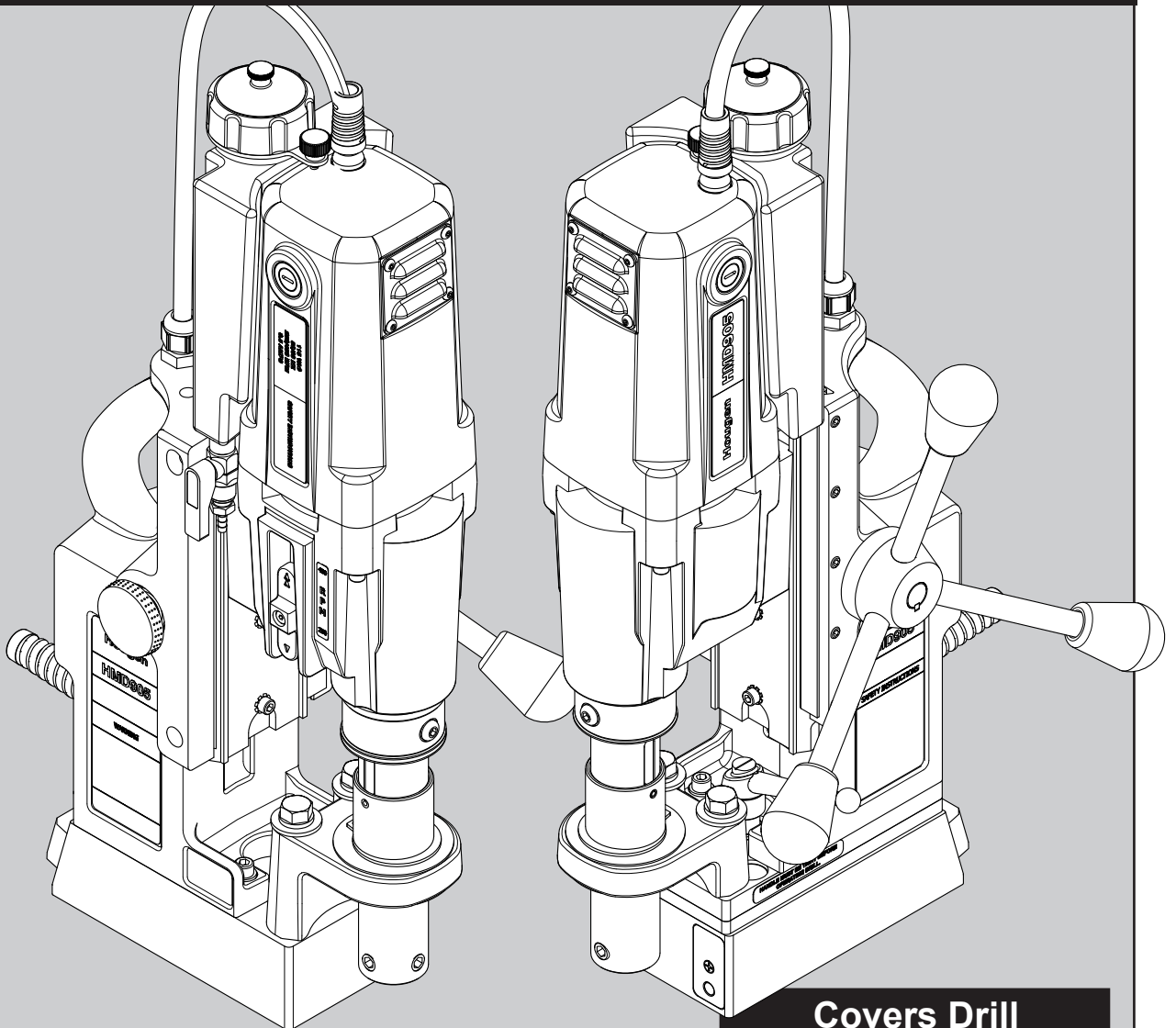




OPERATOR'S MANUAL

HMD905 SERIES PORTABLE MAGNETIC DRILL



**Covers Drill
Part Numbers:**

| | |
|---------|---------|
| 0905102 | 0905105 |
| 0905104 | 0905109 |

HOUGEN® PORTABLE MAGNETIC DRILL MODEL HMD905 SERIES

Welcome to Hougen

Congratulations on your purchase of the Hougen® Portable Magnetic Drill. Your model is designed to produce superior holes quickly and efficiently. Through constant innovation and development, Hougen is committed to provide you with hole producing tools and products to help you be more productive.

Before attempting to operate your new Portable Magnetic Drill, please read all instructions first. These include the Operator's Manual and Warning Label on the unit itself. With proper use, care, and maintenance, your model will provide you with years of effective hole drilling performance. Once again, thank you for selecting our product and welcome to Hougen.

Specifications

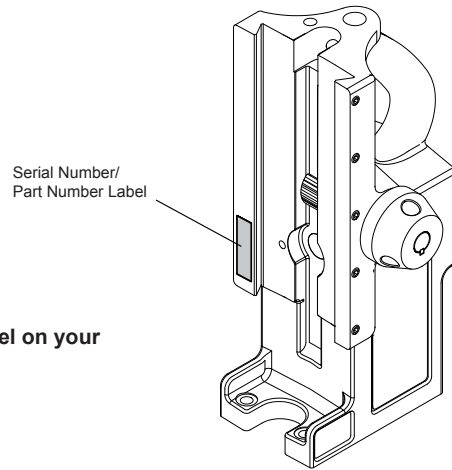
Cutter Type.....Hougen "12,000-Series" and Copperhead™ Carbide
 Hole Capacity.....7/16" to 2" (12mm-50mm)
 Depth of Cut.....2" (50mm)
 Motor.....250/450 RPM, 9A
 Swivel Area.....1" W x 3/4" L (25mm W x 19mm L)
 Net Weight.....35 lbs. (15.9kg)
 Swivel Base: 38 lbs. (17.2 kg)

 Approved Duty Cycle Rated: 2 minutes "ON", 3 Minutes "OFF"

The HMD905 is offered in many versions. Refer to the Serial/Part number Label on your housing to direct you to the correct breakdown.

Part Number

0905102 HMD905 115V
0905104 HMD905 115V Swivel Base



UNPACKING YOUR NEW MAGNETIC DRILL

1. Open shipping carton and remove the literature and hardware packages.
2. **Read and Follow All Instructions** before attempting to operate your new Magnetic Drill.
3. Please visit Hougen.com to register your unit. It is important that Hougen Manufacturing, Inc. have a record of product ownership.
4. Open hardware package and check contents.
 - 10565** 1/8" Hex wrench for Gib Adjustment
 - 10569** Feed handles (3)
 - 04532** Feed handle knobs (3)
 - 10730** Safety chain
 - 24166** 7/32" Hex wrench
 - 13013** 5/32" Allen wrench
5. Using the handle of Magnetic Drill, lift unit out of the shipping case.
6. Remove all packing and securing material from the drill unit.
7. Screw the three Knobs into the three Feed Handles and then screw Handles into the Hub Assembly. Do not over tighten or may strip the knobs.
8. Your Magnetic Drill was factory adjusted prior to shipping. Check to make sure that all gib adjustment screws, motor mount screws, front support bracket screws, and magnet mounting screws are snug and have not vibrated loose in transit.
9. Your new Magnetic Drill comes complete with arbor mounted. The 3/4" diameter arbor bore fits all 3/4"-shank "12,000-Series" Hougen Cutters.

Reread Safety Warnings listed in the Operator's Manual and on the drill unit to avoid injury. Follow operating procedures.

INDEX

| | | | |
|-------------------------------------|----------|--|----|
| Welcome to Hougen | 2 | Control Panel Breakdown | 10 |
| Safety Instructions | 3-4 | Motor Slide Assembly Breakdown | 11 |
| Safety Chain Instructions | 4 | Motor Breakdown | 12 |
| Operation of Controls | 5 | Maintenance | 13 |
| Safety Switch Indicator Light | 5 | Adjustment of Gibs & Arbor Adjustment | 13 |
| Pilot Light Switch | 5 | Arbor Removal & Installation | 14 |
| Installing Hougen Cutters | 6 | Swivel Base Instructions | 14 |
| Operating Instructions | 6 | Hints & Remedies for Holemaking | 15 |
| Coolant Bottle Assembly & Breakdown | 7 | Commercial / Industrial Limited Warranty | 16 |
| HMD905 Assembly Breakdown | 8-9 | Authorized Warranty Repair Centers | 16 |

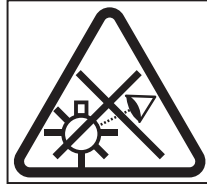
WARNING



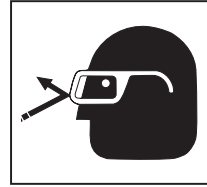
Cutters are sharp. Wear gloves when installing or removing cutter from arbor. Do not grab a rotating cutter.



To prevent electric shock, do not use power tools near wet areas, or where power tool may become wet.



Do not stare at operating light.



Always wear eye protection while using cutting tools, or in the vicinity of cutting.



The slug is ejected at the end of the cut. Do not aim cutter or arbor so that ejected slug may hit someone around, or below you.

IMPORTANT SAFETY INSTRUCTIONS



WARNING:

Read all safety warnings, instructions, illustrations and specifications provided with this power tool. Failure to follow all instructions listed below may result in electric shock, fire and/or serious injury.

1. Work Area Safety

- a) Keep your work area clean and well lit. Cluttered or dark areas invite accidents.
- b) Do not operate power tools in explosive atmospheres, such as in the presence of flammable liquids, gases or dust. Power tools create sparks which may ignite the dust or fumes.
- c) Keep children and bystanders away while operating a power tool. Distractions can cause you to lose control.

2. Electrical Safety

- a) Power tool plugs must match the outlet. Never modify the plug in any way. Do not use any adapter plugs with earthed (grounded) power tools. Unmodified plugs and matching outlets will reduce risk of electrical shock.
- b) Avoid body contact with earthed or grounded surfaces such as pipes, radiators, ranges and refrigerators. There is an increased risk of electric shock if your body is earthed or grounded.
- c) Don't expose power tools to rain or wet conditions. Water entering a power tool will increase the risk of electric shock.
- d) Do not abuse the cord. Never use the cord for carrying or unplugging the power tool. Keep cord away from heat, oil, sharp edges or moving parts. Damaged or entangled cords increase the risk of electric shock.
- e) When operating a power tool outdoors, use an outdoor extension cord suitable for outdoor use. Use of cord suitable for outdoor use reduces the risk of electric shock.
- f) If operating a power tool in a damp location is unavoidable, use a residual current device (RCD) protected supply. Use of an RCD reduces the risk of electric shock.

3. Personal Safety

- a) Stay alert, watch what you are doing and use common sense when operating a power tool. Do not use a power tool while you are tired or under the influence of drugs, alcohol, or medication. A moment of inattention while operating power tools may result in serious personal injury.
- b) Use personal protective equipment. Always wear eye protection. Protective equipment such as dust mask, non-skid shoes, hard hat or hearing protection used for appropriate conditions will reduce personal injuries.

- c) Prevent unintentional starting. Ensure the switch is in the off-position before connecting to power source and/or battery pack, picking up or carrying the tool. Carrying power tools with your finger on the switch or energizing power tools that have the switch on invites accidents.
- d) Remove any adjusting keys or wrench before turning the power tool on. A wrench or a key that is left attached to a rotating part of the power tool may result in personal injury.
- e) Do not overreach. Keep proper footing and balance at all times. This enables better control of the power tool in unexpected situations.
- f) Dress properly. Do not wear loose clothing or jewelry. Keep your hair and clothing away from moving parts. Loose clothes, jewelry or long hair can be caught in moving parts.
- g) If devices are provided for the connection of dust extraction and collection facilities, ensure these are connected and properly used. Use of dust collection can reduce dust-related hazards.
- f) Do not let familiarity gained from frequent use of tools allow you to become complacent and ignore tool safety principles. A careless action can cause severe injury within a fraction of a second.
- g) Always use safety chain. Mounting can release.

4. Power Tool Use and Care

- a) Do not force the power tool. Use the correct power tool for your application. The correct power tool will do the job better and safer at the rate for which it is designed.
- b) Do not use the power tool if the switch does not turn it on or off. Any power tool that cannot be controlled with the switch is dangerous and must be repaired.
- c) Disconnect the plug from the power source and/or remove the battery pack, if detachable, from the power tool before making any adjustments, changing accessories or storing power tools. Such preventative safety measures reduce the risk of starting the tool accidentally.
(Continued on page 4)

Save all warnings and instructions for future reference.

IMPORTANT SAFETY INSTRUCTIONS

- d) Store idle power tools out of reach of children and do not allow persons unfamiliar with the power tool or these instructions to operate the power tool. *Power tools are dangerous in the hands of untrained users.*
- e) Maintain power tools and accessories. Check for misalignment or binding of moving parts, breakage of parts and any other condition that may affect the power tool's operation. If damaged, have the power tool repaired before use. *Many accidents are caused by poorly maintained power tools.*
- f) Keep cutting tools sharp and clean. *Properly maintained cutting tools with sharp cutting edges are less likely to bind and are easier to control.*
- g) Use the power tool, accessories and tool bits etc. in accordance with the instructions, taking into account the working conditions and the work to be performed. *Use of the power tool for operations different from those intended could result in a hazardous situation.*
- h) Keep handles and grasping surfaces, clean and free from oil and grease. *Slippery handles and grasping surfaces do not allow for safe handling and control of the tool in unexpected situations.*

5. Service

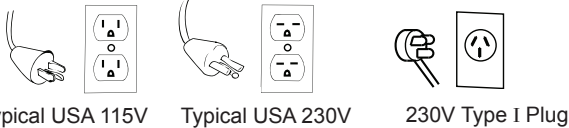
- a) Have your power tool serviced by a qualified repair person using only identical replacement parts. *This will ensure that the safety of the power tool is maintained.*

ADDITIONAL SAFETY INSTRUCTIONS

Safe Electrical Connection

Your Drill is rated for use on 115VAC or 230V at 50-60Hz. Do not attempt to use drill on power sources rated other than this.

Plugs and Receptacles



Wet electrical connections are shock hazards. To prevent the cutting fluid from traveling along the cord and contacting the plug or power outlet, tie a drip loop as shown. Also elevate extension cords or gang box connections.



Extension Cords

Use only 3-wire extension cords that have a 3-prong grounding type plug and 3-pole receptacles that accept the tool's plug. Replace or repair damaged cords. Make sure the conductor size is large enough to prevent excessive voltage drop which will cause loss of power and possible motor damage.

| LENGTH OF CORD, FEET | RECOMMENDED WIRE GAUGE | RECOMMENDED WIRE GAUGE |
|----------------------|----------------------------|--------------------------|
| | 115V MOTOR 10 - 12 AMPS | 230V MOTOR 5 - 6 AMPS |
| Up to 25 | 16 | 18 |
| 26 - 50 | 14 | 18 |
| 51 - 100 | 10 | 16 |
| 101 - 200 | 8 | 14 |
| 201 - 300 | 6 | 12 |
| 301 - 500 | 4 | 10 |

Outdoor Extension Cord Use

When tool is used outdoors, use only extension cords intended for use outdoors and so marked.

Additional Safety Precautions

Arbor and cutter should never be used as a handhold or handle. Keep hands and clothing away from all moving parts. Do not use Houghen Cutters where ejected slug might cause injury (slug ejected at end of cut). Also, adhere to all operating instructions. Do not drill through any surface that may contain live electrical wiring. Drilling into a live wire could cause exposed metal parts of the drill to be made live. Remove chips wrapped around cutter and arbor after each hole. With motor off and power disconnected, grasp chips with leather gloved hand or pliers and pull while rotating counterclockwise. Should the cutter become jammed in the work, stop the unit immediately to prevent personal injury. Disconnect the drill from the power supply and loosen jammed cutter by turning the arbor counterclockwise. Never attempt to free the jammed cutter by starting the motor. Service at authorized repair center only.

Operating Near Welding Equipment

DO NOT operate this unit on the same work surface that welding is being performed on. Severe damage to the unit, particularly the power cord, could occur. This could also result in personal injury to the operator.

Circuit Breaker (If Applicable)

Changing of the circuit breaker to a higher amp rated breaker, or bypassing the circuit breaker is not recommended and will void product warranty.

Circuit Breaker Operation (If Applicable)

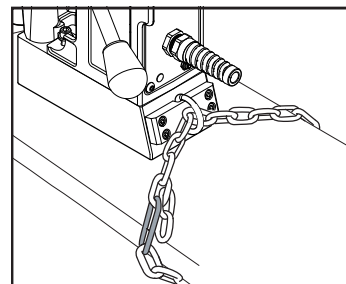
The circuit breaker is a thermal breaker. When it reaches the higher temperature rating it will trip and cause the unit to shut down. This is a protective device and can be reset after 5 to 10 minutes. To reset the breaker, press the breaker button back in. If it does not reset, let the unit cool a little longer until you can push the button in and it stays in position.

Save all warnings and instructions for future reference.

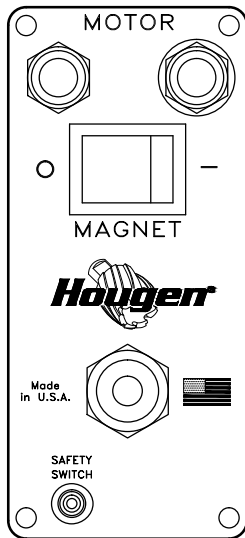
SAFETY CHAIN INSTRUCTIONS

A safety chain should **ALWAYS** be used whenever operating the drill.

The safety chain prevents the drill unit from falling, in the event of a power failure or if the magnet breaks loose from the work surface. The safety chain attaches to the drill by running the chain thru the D-Ring on the back of the unit and then continuing around the material and/or work surface. Adjust the chain so it is tight and secure. Please refer to the diagram.



OPERATION OF CONTROLS BEFORE INSTALLING HOUGEN CUTTER



CONTROL PANEL SWITCH PLATE

IMPORTANT: Before turning on the machine, it is important that the operator understands the interrelated functions of the SAFETY SWITCH, MAGNET SWITCH, AND MOTOR SWITCHES. **READ SAFETY SWITCH INDICATOR LIGHT INSTRUCTIONS.**

SAFETY SWITCH — Located in base of drill. Enables motor operation only when magnet is properly seated on a clean and flat work surface. Turns motor off if switch detects lift of unit. (See below for location of safety switch)

MAGNET ON/OFF SWITCH — Energizes and De-energizes the magnetic base and activates the safety switch. Motor can now be started by pushing the motor START switch.

MOTOR START/STOP SWITCHES — Starts and stops the motor

1. Place Magnetic Drill on clean, flat steel plate that is at least 3/8" thick.
2. Plug unit into proper AC power source. **DO NOT use with DC Power.**
3. Locate the Magnet **ON** and **OFF** switch and the motor **STOP** and **START** switch.
4. **NOTE: A loss of power will de-energize the magnetic base and deactivate the motor. When power is restored, the magnet will reenergize, however, the motor START switch must be depressed before the motor will start.**

SAFETY SWITCH INDICATOR LIGHT

**** SAFETY SWITCH LIGHT WILL COME ON AND REMAIN ON WHILE DRILL IS PLUGGED IN ****

The Safety Switch Indicator Light is a Standard Safety Feature on Hougen portable magnetic drills. Its purpose is to inform the user that the lift detector switch is activated.

If light is Green:

In normal operation the safety switch light will be green. Motor "On" and "Off" Switches function normally.

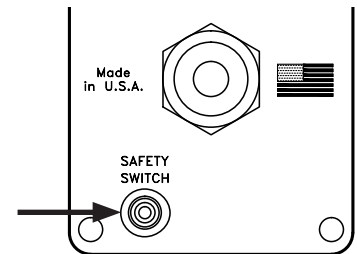
If light is Red:

A condition with the safety switch exists that needs to be corrected. Possible causes:

- Safety Switch is defective. Have drill serviced.
- Uneven work surface or material. Check work surface for flatness.
- Dirt or chips under magnet. Clean work surface.

Testing Safety Switch:

Before operating the drill always test the safety switch. To test switch...place drill on work surface and plug into the outlet. Rock drill so magnet lifts off work surface. Safety Switch Light should change from green to red. If light stays green or red, a problem exists with the safety switch that must be corrected. (ie...safety switch defective, safety plunger in the base of magnet is stuck in position, etc.) Please correct and retest before operating drill.



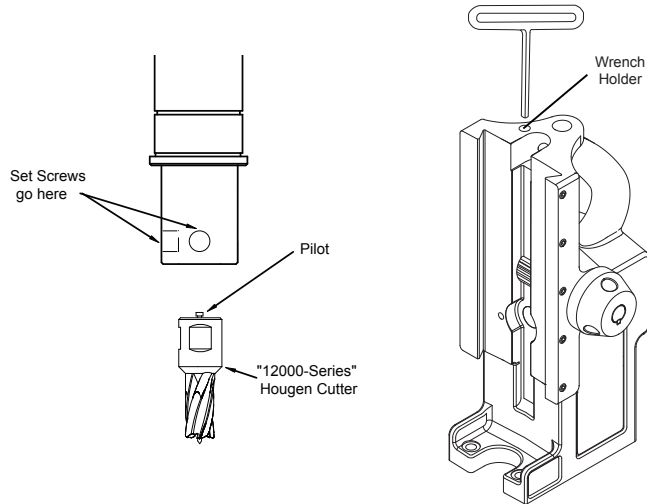
CONTROL PANEL SWITCH PLATE

Material must be a least 3/8" thick. Material thinner than 3/8" will cause a "weak" magnet condition. HOUGEN MANUFACTURING RECOMMENDS THAT CONDITIONS ARE CORRECTED SO LIGHT IS GREEN. THIS ALLOWS FOR THE UNIT TO BE OPERATED IN A SAFE MANNER.

For any questions please contact Hougen Manufacturing's Technical Service at (810) 635-7111.

INSTALLING HOUGEN CUTTER IN ARBOR

1. Disconnect from power source and remove T-Handle wrench from holder at top of drill.
2. Lay drill on its side with feed handles up or be sure Arbor clears table if unit is in normal operating position.
3. Turn Feed Handles until cutter mounting set screws are exposed and completely remove the set screws.
4. Insert proper pilot in shank end of Hougen Cutter.
5. Insert Hougen Cutter until flat on cutter shank is aligned with set screw holes and is exactly perpendicular to axis of set screw holes.
6. Insert set screws and tighten. Check to be certain that cutter is secure.



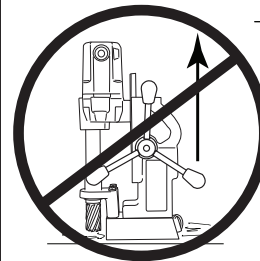
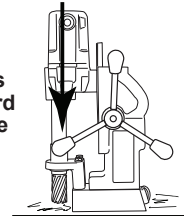
OPERATING INSTRUCTIONS

Always remember that the magnet's holding power is directly related to the workpiece thickness and surface condition. Since magnetic attraction diminishes with thinner material or rough surfaces, mechanical clamping of drill unit to the workpiece should be used when cutting thin material (3/8" or less) or material with uneven surfaces.

1. Make sure workpiece and bottom of magnet are free of chips, oil, etc.
2. Verify Safety Switch works properly (See Safety Switch Indicator Light Section on pg. 5)
3. Position drill by sliding it and gently feeding Arbor so that pilot point is touching center of hole to be drilled.
4. **Secure unit to workpiece with safety chain.**
5. Turn magnet "ON" by pressing the magnet ON switch.
6. Turn Feed Handle, raising the cutter until the pilot is above the work surface.
7. Fill coolant reservoir or fill attached coolant bottle if applicable.
8. Make certain that cutter is clear of workpiece and turn motor "ON" by pressing the motor START switch.
9. Feed Hougen Cutter slowly into workpiece. Only after cutting path is established to a depth of about 1/16" can full force be applied to feed handles.
10. Ease up on feed pressure as cutter starts breaking through.
11. At conclusion of cut, turn motor "OFF" by pressing motor STOP switch. Turn Feed Handles to raise Arbor thereby ejecting the slug if it hasn't already fallen free.
12. Turn magnet "OFF" by pressing the magnet OFF switch.
13. **Disconnect from power source.**
14. If necessary, remove chips from cutter and magnet, preferably wearing leather work gloves and/or with pliers. Disconnect safety chain and you are ready to move unit to new drilling position.

When drilling, especially in horizontal or overhead positions, always apply feed pressure toward the work surface. Never pull away from the work surface as this can weaken magnetic holding power.

Use handles to feed toward work surface



Never pull handles away from work surface.

Selecting and Operating Speeds

HMD905 RECOMMENDED RPM'S

450 RPM

7/16" - 1" Dia. (12mm - 25mm)

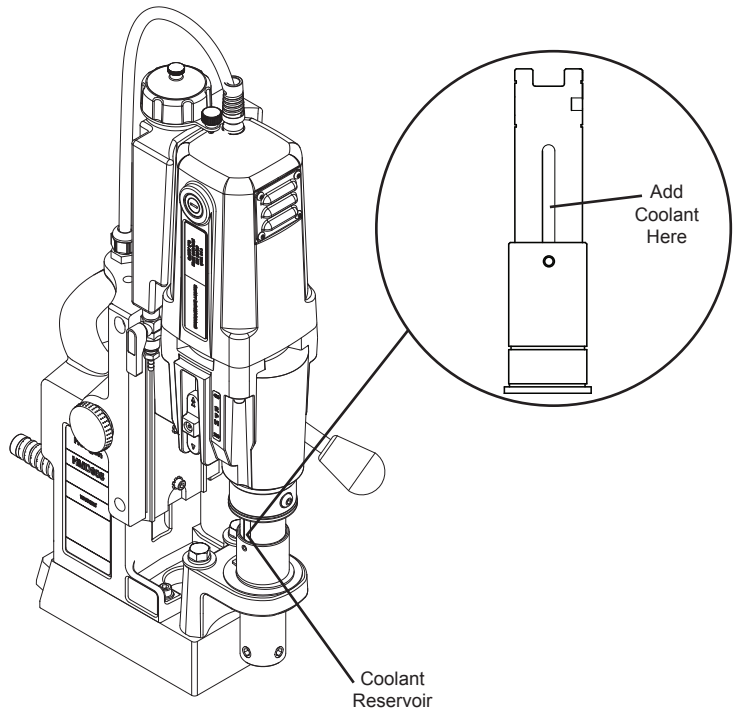
250 RPM

1-1/16" - 1-5/8" Dia. (27mm - 41mm)

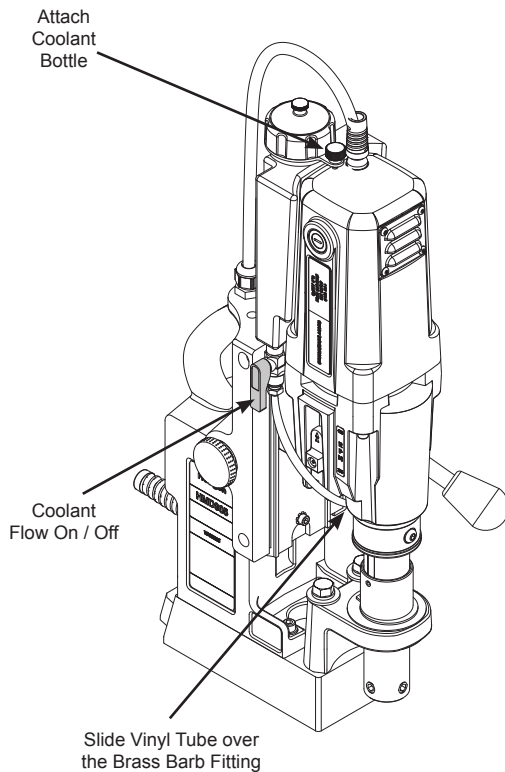
RPM recommendations are based on using your HMD905 drill with Hougen "12,000-Series" H.S.S. Cutters. The RPM's do not represent optimum speeds for any given cutter diameter and application. For more information refer to Hougen's Speed & Feed Calculator located on Hougen.com, or call 1-800-426-7818 for Technical Support.

OPERATION OF CUTTING FLUID RESERVOIR

1. With Magnetic Drill in operating position, turn the feed handles so that cutter and pilot are above the work surface.
2. With magnet turned ON & motor OFF, fill reservoir by introducing cutting fluid through slots in Arbor. **Cutting fluid should not leak out.**
3. Test metering capabilities of Arbor/Cutter/Pilot assembly (magnet ON - motor OFF) feeding the Arbor gently toward work surface until pilot is pushed up into Cutter, thus allowing fluid to filter down onto work surface through groove in pilot.
4. For proper lubrication, all fluid in reservoir should empty onto work surface in no less than 15 seconds and no longer than 30 seconds.
5. Reservoir holds enough coolant for cutting approximately one hole.
 - * This method of using coolant can also be used for an attached coolant bottle if the bottle is lost.
6. For horizontal or drilling overhead holes, use Slick-Stik Lubricant.



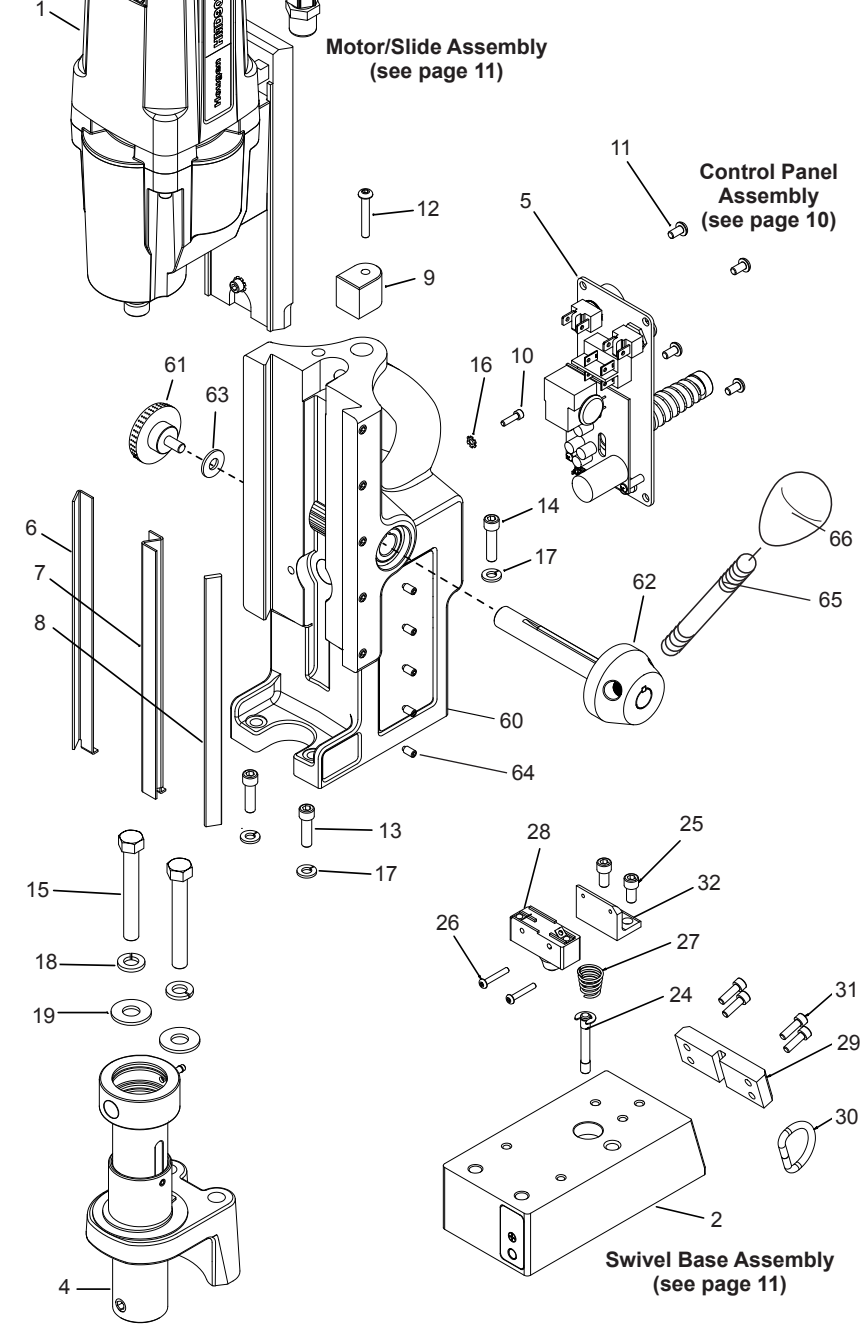
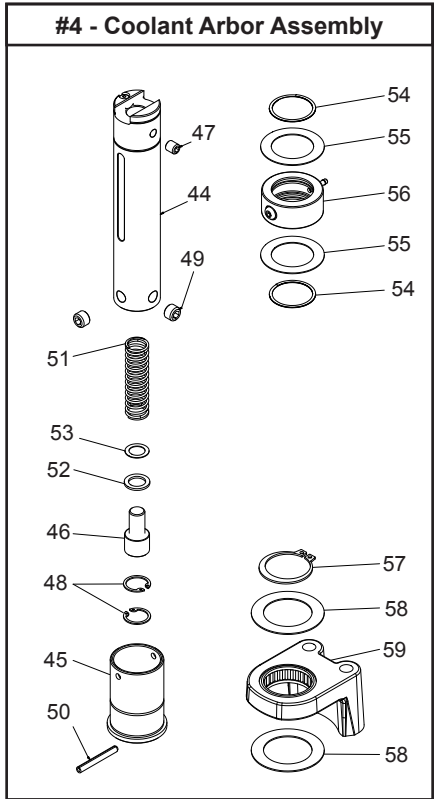
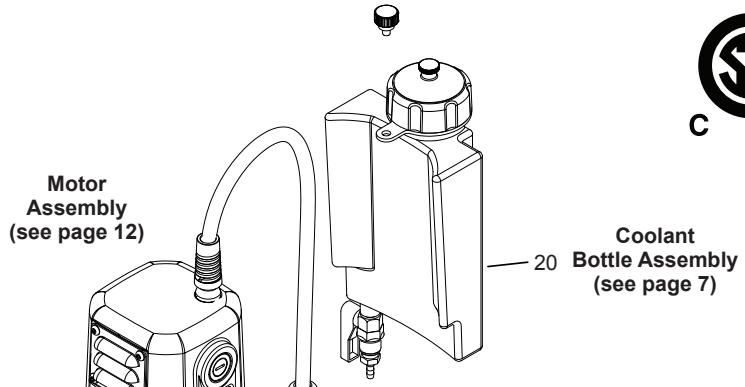
COOLANT BOTTLE ASSEMBLY



07950 Coolant Bottle Assembly

| Part # | Description |
|--------|---|
| 08255 | Round Bottle |
| 08061 | Coolant Bottle Bracket (Bottle to Bracket) |
| 41044 | SCR BHC #10-32 x 3/8 |
| 05065 | Ball Valve |
| 05067 | Brass Barb Fitting (bottom of the bottle) |
| 40304 | Vinyl Tube |
| 07080 | Brass Fitting (vinyl tube to coolant inducer) |
| 24124 | Coolant Bottle Cap |

HMD905 MAG BASE DRILL



| HMD905 Breakdowns | | | |
|----------------------|--------|---------------------------------------|-----|
| Item | Part # | Description | Qty |
| 1 | 07948 | Motor / Slide Assy. | 1 |
| 4 | 07831 | Coolant Arbor Assy. Non-Swivel | 1 |
| | 08115 | Coolant Arbor Assy. Swivel | 1 |
| 5 | 08251 | Control Panel | 1 |
| 6 | 02429 | Gib, Brass, Right Hand | 1 |
| 7 | 02430 | Gib, Brass, Left Hand | 1 |
| 8 | 02431 | Gib Steel | 1 |
| 9 | 07833 | Stop Block | 1 |
| 10 | 17002 | SCR SHC #6-32 x 1/2 LG | 1 |
| 11 | 41044 | SCR BHC #10-32 x 3/8 LG | 4 |
| 12 | 10559 | SCR BHC #10-32 x 1-1/4 LG | 1 |
| 13 | 10553 | SCR SHC 1/4-20 x 7/8 LG | 2 |
| 14 | 40077 | SCR SHC 1/4-20 x 1" LG | 1 |
| 15 | 40594 | Hex Bolt 3/8-24 x 2-3/4 LG Non-Swivel | 2 |
| | 01598 | FSB Swivel Bolts | 2 |
| 16 | 90052 | Lock Washer Ext. #6 | 1 |
| 17 | 90028 | Lock Washer Helical 1/4 | 3 |
| 18 | 40391 | Lock Washer Helical 3/8 | 2 |
| 19 | 40392 | Washer Flat 3/8 Type A | 2 |
| 20 | 07950 | Coolant Bottle Assembly | 1 |
| Accessories Included | | | |
| | 10565 | Hex Key 1/8 wrench | 1 |
| 65 | 10569 | Feed Handles | 3 |
| 66 | 04532 | Feed Handle Knobs | 3 |
| | 90724 | Safety Chain 3/16 x 5' w/Snap Hook | 1 |
| | 08077 | Carrying Case w/Label | 1 |
| | 24166 | 7/32" Hex Key for Arbor | 1 |

| 07882 Magnet Assembly | | | |
|-----------------------|--------|--------------------------|-----|
| Item | Part # | Description | Qty |
| 2 | 07861 | Magnet | 1 |
| 24 | 04910 | Plunger Assembly | 1 |
| 25 | 10971 | SCR SHC 1/4-20 x 1/2" LG | 2 |
| 26 | 10972 | SCR BHC #6-32 x 7/8" LG | 2 |
| 27 | 17271 | Spring - Taper, Comp. | 1 |
| 28 | 04885 | Microwitch Assy. | 1 |
| 29 | 07887 | Plate - Ring Retaining | 1 |
| 30 | 24144 | D-Ring | 1 |
| 31 | 41046 | SCR SHC #10-32 x 1/2" LG | 4 |
| 32 | 04909 | Bracket - Safety Switch | 1 |

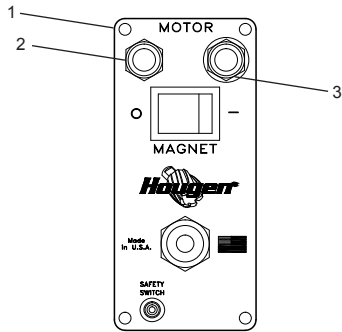
Swivel Base Assembly (see page 11)

| 07831 Arbor & Front Support Bracket | | | |
|-------------------------------------|--------|--------------------------------------|-----|
| Item | Part # | Description | Qty |
| 44 | 07872 | Arbor Body | 1 |
| 45 | 07162 | Collar Ejector | 1 |
| 46 | 07079 | Spring Seat | 1 |
| 47 | 40256 | SCR Set 5/16-18 x 3/8 Oval Pt | 1 |
| 48 | 10517 | Ring - Retaining Internal | 2 |
| 49 | 40222 | SCR Set 7/16-14 x .305 | 2 |
| 50 | 40312 | Pin-Roll 3/16 dia x 1.564 Altered | 1 |
| 51 | 05049 | Spring - Comp | 1 |
| 52 | 07436 | Washer - Rubber | 1 |
| 53 | 07440 | Washer - Shim 12 x 18 x .5mm | 1 |
| 54 | 40302 | Ring - Retaining | 2 |
| 55 | 40301 | Washer, Thrust 1-3/8 x 2-1/16 x 1/32 | 2 |
| 56 | 07445 | Coolant Inducer | 1 |
| | 40300 | O-Ring (not shown) | 1 |
| | 07447 | Hose Fitting (not shown) | 1 |
| | 07082 | SCR BHC 1/4-28 x 1/4 (not shown) | 1 |
| 57 | 40398 | Ring - Retaining | 1 |
| 58 | 40234 | Washer, Thrust | 2 |
| 59 | 07870 | Front Support Bracket Assy. | 1 |
| | 09731 | Front Support Bracket Assy. Swivel | 1 |

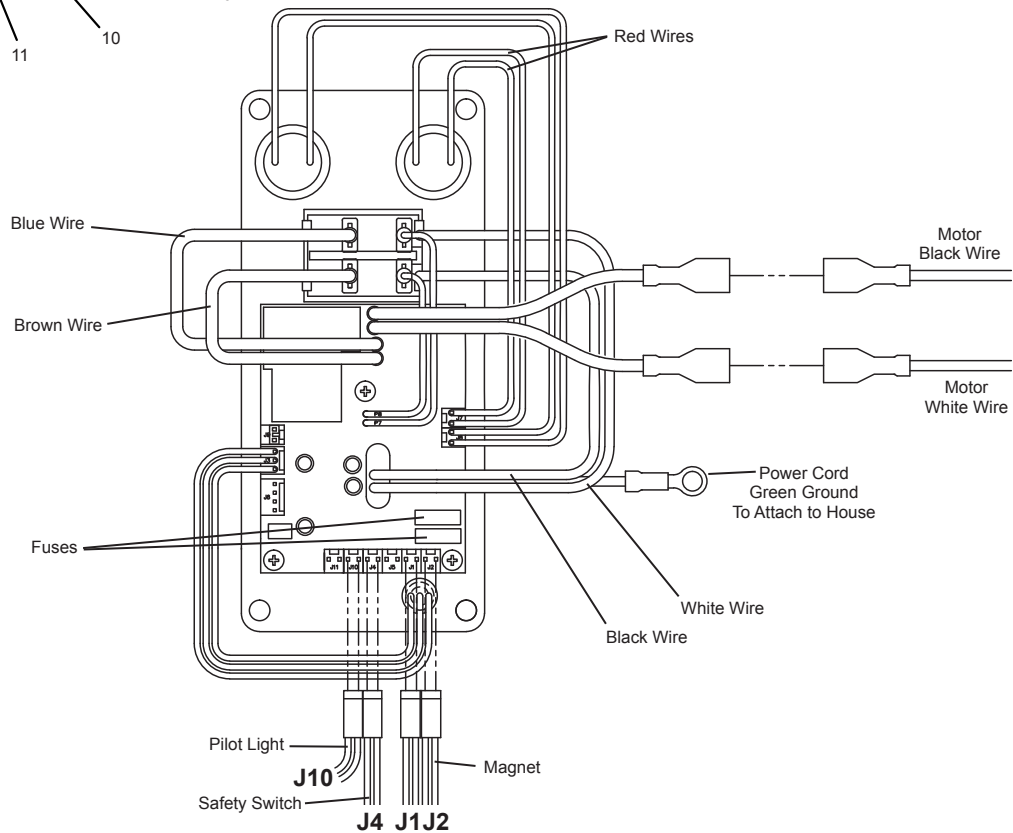
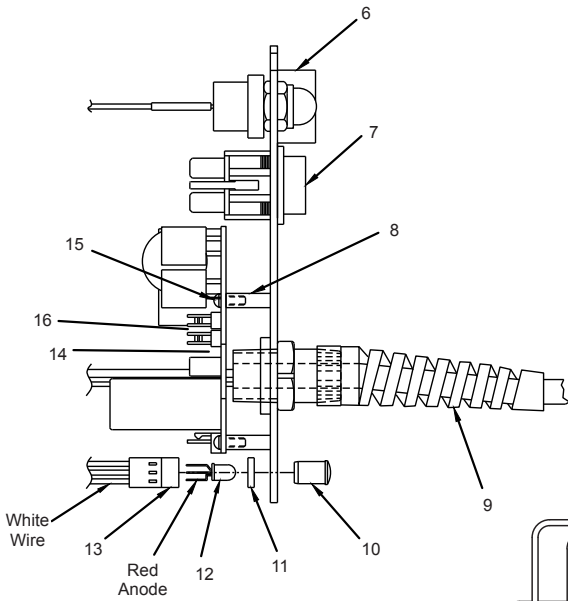
| 08115 Arbor & Front Support Bracket | | | |
|-------------------------------------|--------|--------------------------------------|-----|
| Item | Part # | Description | Qty |
| 44 | 07872 | Arbor Body | 1 |
| 45 | 07162 | Collar Ejector | 1 |
| 46 | 07079 | Spring Seat | 1 |
| 47 | 40256 | SCR Set 5/16-18 x 3/8 Oval Pt | 1 |
| 48 | 10517 | Ring - Retaining Internal | 2 |
| 49 | 40222 | SCR Set 7/16-14 x .305 | 2 |
| 50 | 40312 | Pin-Roll 3/16 dia x 1.564 Altered | 1 |
| 51 | 05049 | Spring - Comp | 1 |
| 52 | 07436 | Washer - Rubber | 1 |
| 53 | 07440 | Washer - Shim 12 x 18 x .5mm | 1 |
| 54 | 40302 | Ring - Retaining | 2 |
| 55 | 40301 | Washer, Thrust 1-3/8 x 2-1/16 x 1/32 | 2 |
| 56 | 07445 | Coolant Inducer | 1 |
| | 40300 | O-Ring (not shown) | 1 |
| | 07447 | Hose Fitting (not shown) | 1 |
| | 07082 | SCR BHC 1/4-28 x 1/4 (not shown) | 1 |
| 57 | 40398 | Ring - Retaining | 1 |
| 58 | 40234 | Washer, Thrust | 2 |
| 59 | 08113 | Front Support Bracket Assy. | 1 |
| | 09731 | Front Support Bracket Assy. Swivel | 1 |

| 08384 Housing Assembly | | | |
|------------------------|--------|----------------------------|-----|
| Item | Part # | Description | Qty |
| 60 | 07993 | Drill Housing | 1 |
| 61 | 05839 | Knob - Comfort Rubber Grip | 1 |
| 62 | 40254 | Hub Assembly | 1 |
| 63 | 10679 | Washer - Flat 1/4 Type A | 1 |
| 64 | 40237 | Gib Screws | 5 |

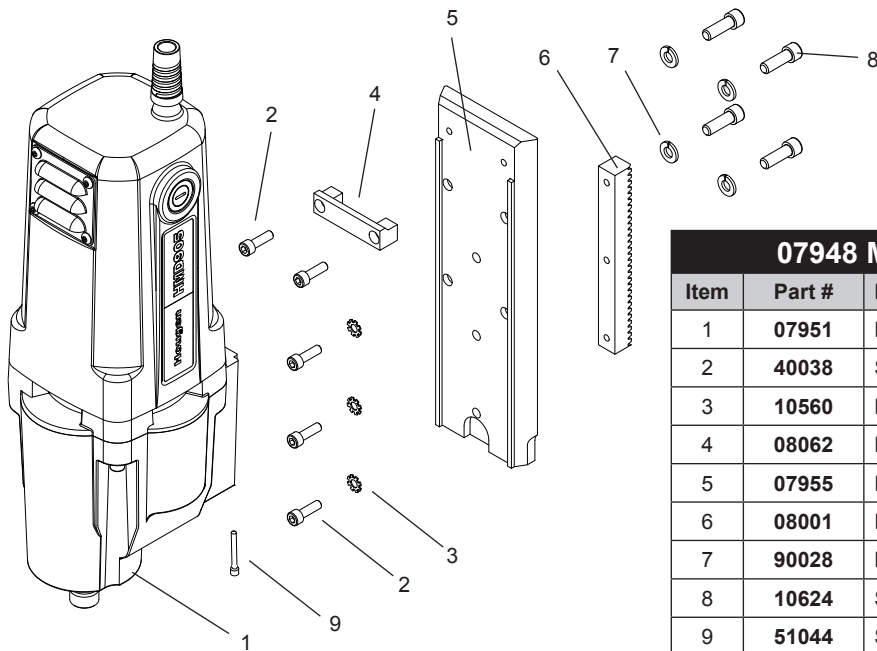
CONTROL PANEL BREAKDOWN & WIRING



| 08251 Panel Assembly | | | |
|----------------------|--------|---------------------|-----|
| Item | Part # | Description | Qty |
| 1 | 07011 | Faceplate | 1 |
| 2 | 01335 | Switch - Motor Off | 1 |
| 3 | 01334 | Switch - Motor On | 1 |
| 6 | 01226 | Guard Switch | 1 |
| 7 | 04614 | Magnet Switch | 1 |
| 8 | 02548 | Stand Off | 3 |
| 9 | 24073 | Power Cord Assembly | 1 |
| 10 | 04879 | Lens Clear L.E.D. | 1 |
| 11 | 04878 | Spacer L.E.D. | 1 |
| 12 | 04881 | Bulb L.E.D. | 1 |
| 13 | 04877 | Wire Harness L.E.D. | 1 |
| 14 | 08646 | Circuit Board | 1 |
| 15 | 02547 | SCR #4-40 x 5/16 LG | 3 |
| 16 | 07522 | Fuse | 2 |

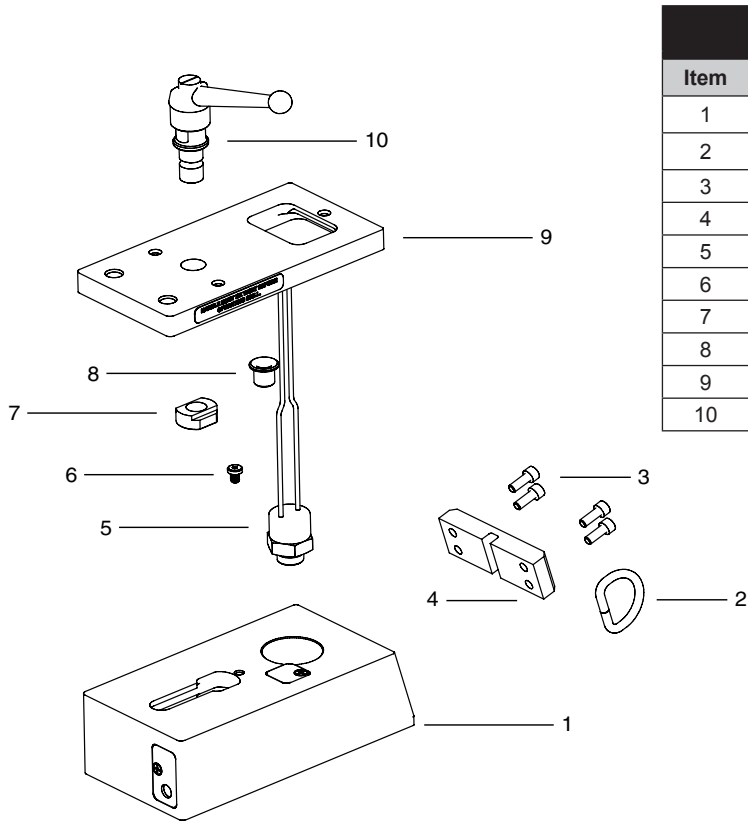


MOTOR SLIDE ASSEMBLY BREAKDOWN



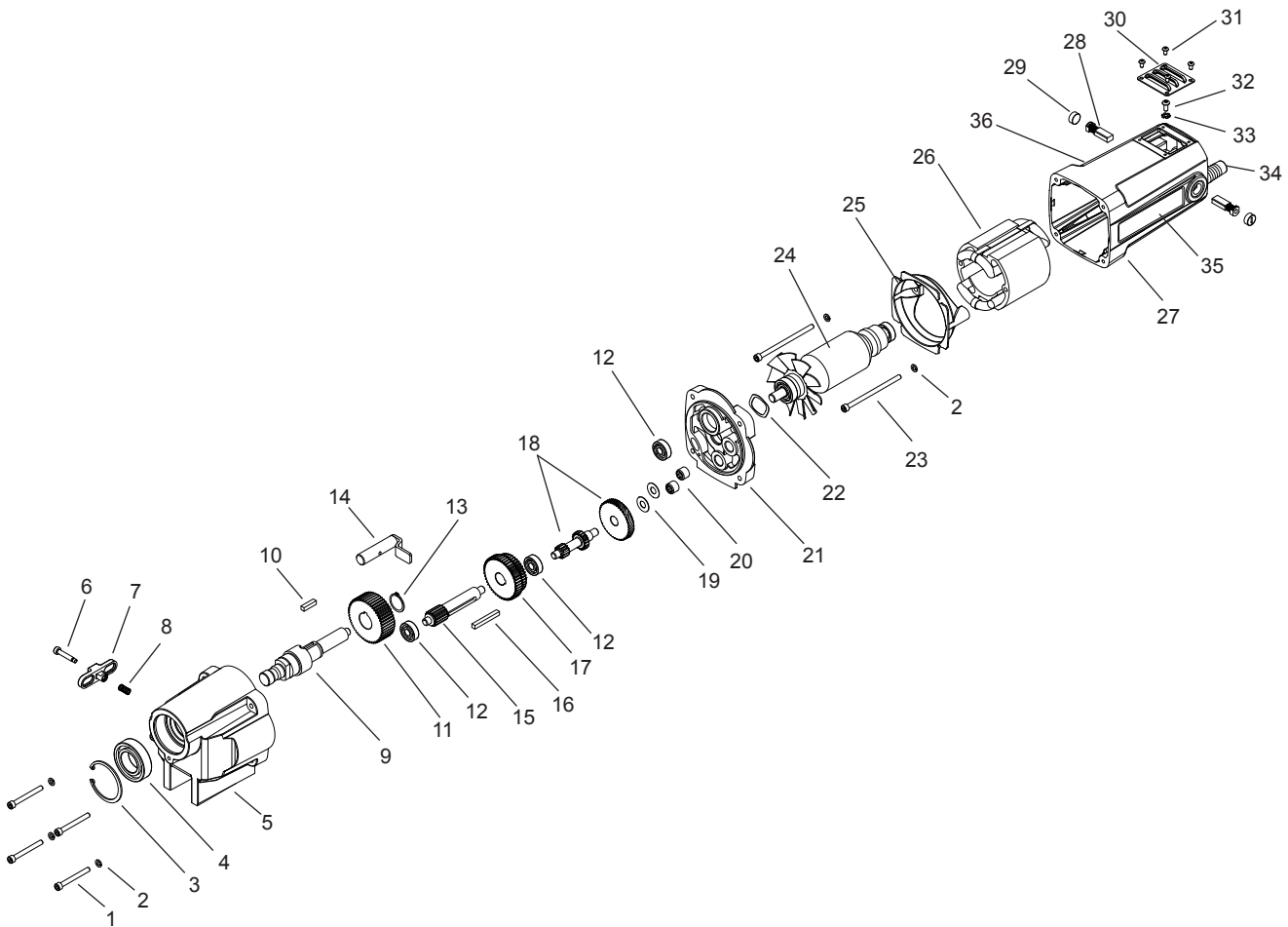
| 07948 Motor & Slide Assembly | | | |
|------------------------------|--------|------------------------------|-----|
| Item | Part # | Description | Qty |
| 1 | 07951 | Motor Complete Assembly 115V | 1 |
| 2 | 40038 | SCR BHC #10-32 x 5/8 LG | 5 |
| 3 | 10560 | Lock Washer Ext. #10 | 3 |
| 4 | 08062 | Bottle Support | 1 |
| 5 | 07955 | Dovetail Slide | 1 |
| 6 | 08001 | Rack Gear | 1 |
| 7 | 90028 | Lock Washer - Helical 1/4 | 4 |
| 8 | 10624 | SCR SHC 1/4-20 x 3/4 | 4 |
| 9 | 51044 | SCR SHC #1-32 x 1-1/4 | 1 |

SWIVEL BASE MAGNET ASSEMBLY BREAKDOWN



| 09728 Swivel Magnet Assembly | | | |
|------------------------------|--------|------------------------------------|-----|
| Item | Part # | Description | Qty |
| 1 | 09725 | Assembly Magnet Swivel 120V | 1 |
| 2 | 24144 | Ring - "D" x 1" wide | 1 |
| 3 | 41046 | SCR - SHC 10-32 x 1/2 | 4 |
| 4 | 07887 | Plate - Retaining Ring | 1 |
| 5 | 05652 | Safety Switch Assembly | 1 |
| 6 | 09727 | SCR - SHC 10-32 x 1/4 | 1 |
| 7 | 09721 | NUT - TEE 1/2 - 18 LH TND DBL LEAD | 1 |
| 8 | 07215 | Bushing Flange | 1 |
| 9 | 09722 | Plate Housing Swivel | 1 |
| 10 | 09729 | Assembly Clamp Handle | 1 |

MOTOR PARTS DIAGRAM



07952 Motor Assembly

| Item | Part # | Description | Qty | Item | Part # | Description | Qty |
|------|--------|--------------------------------|-----|------|--------|-----------------------------|-----|
| 1 | 08234 | SCR SHC #10-32 X 1-5/8 LG | 4 | 21 | 07969 | Gear Box Cover | 1 |
| 2 | 50038 | Washer - Lock Helical #10 | 6 | 22 | 08070 | Washer - Spring | 1 |
| 3 | 07860 | Retaining Ring | 1 | 23 | 08025 | SCR - SHC #10-32 x 3-1/4 LG | 2 |
| 4 | 40274 | Bearing 25mm x 47mm x 12mm | 1 | 24 | 07956 | Armature Assembly | 1 |
| 5 | 07966 | Gear Box Housing | 1 | 25 | 07958 | Baffle | 1 |
| 6 | 08069 | SCR - Shslid 3/16 x 7/8 | 1 | 26 | 07957 | Field | 1 |
| 7 | 07908 | Switch | 1 | 27 | 07953 | Motor/Brush Holder Assembly | 1 |
| 8 | 07910 | Spring - Comp | 1 | 28 | 07961 | Carbon Brushes | 2 |
| 9 | 07976 | Spindle - Motor Drive | 1 | 29 | 07960 | Brush Holder Cap | 2 |
| 10 | 07904 | Key - 3/16 x 3/16 x 3/4 | 1 | 30 | 07848 | Cover - Brush Access | 1 |
| 11 | 07975 | Gear Spur Removable - 49 Tooth | 1 | 31 | 02385 | SCR BHC #6-32 x 1/4 | 4 |
| 12 | 24100 | Ball Bearing | 3 | 32 | 41042 | SCR BHC #8-32 x 3/8 LG | 1 |
| 13 | 24160 | Retaining Ring | 1 | 33 | 10538 | Washer - Lock #8 | 1 |
| 14 | 07977 | Shift Control Rod Arm | 1 | 34 | 08336 | Motor Cord | 1 |
| 15 | 07974 | Gear Spur Removable - 15 Tooth | 1 | 35 | 07936 | Motor Label | 1 |
| 16 | 07978 | Key - 3/16 x 3/16 x 1-1/2 | 1 | 36 | 07937 | Motor Specs Label | 1 |
| 17 | 07973 | Assembly - Change Gear 250/450 | 1 | | | | |
| 18 | 07972 | Assembly - Gears #2 & #3 | 1 | | | | |
| 19 | 17610 | Washer - Flat 8mm | 2 | | | | |
| 20 | 07903 | Needle Bearing | 2 | | | | |

MAINTENANCE

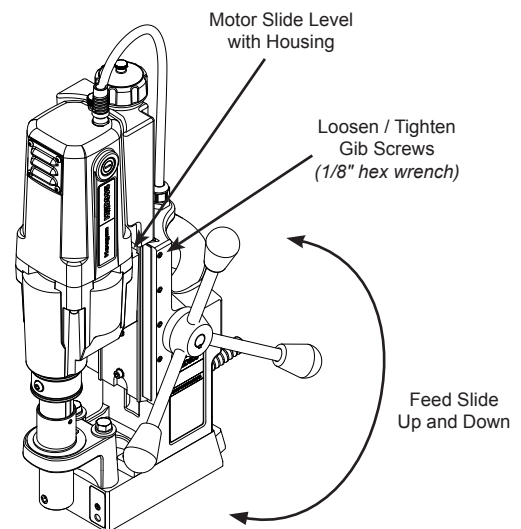
In order to minimize wear on moving parts and to insure smoother operation and longer life for your magnetic drill, the following maintenance should be done periodically, based on use.

1. Regularly tighten all fasteners and replace all worn parts.
2. Check motor brushes and replace if worn.
3. Check power cord and cord from panel to motor and, if cracked or frayed, return to an authorized repair center for replacement.
4. Apply grease to the slide dovetails, brass gibs, and the feed gear rack. For best results use Shell Cyprina-RA or equivalent.
5. Remove arbor (see *arbor removal on page 14*) and pack the bearing in the front support bracket with grease. Use Shell Cyprina-RA or equivalent.
6. The safety switch plunger should be clean and lubricated with penetrating oil periodically. As necessary remove the magnet from drill and remove safety switch assembly from magnet. Push the plunger out of magnet. Clean out any debris from inside an around plunger hole in magnet. Coat the plunger with anti-seize. Replace plunger and safety switch assembly and tighten down screws. Replace magnet into drill housing.

ADJUSTMENT OF GIBS

1. Check gibs regularly to make certain they are tight. Tighten as required.
2. Loosen all Gib Screws.
3. Feed the drill in and out a few times and then, with top of motor slide flush with top of housing, tighten the Gib Screws until you feel them touch the Steel Gib.
4. Feed the drill in and out again.
5. Adjust Gib Screws so that there is uniform pressure from top to bottom. (Top of motor slide flush with top of housing.)
6. Turn each Gib Screw in about 1/8 to 1/4 turn, depending upon your preference.
7. Gibs should be tight enough so that slide moves up and down smoothly with no wobble or shaking. (Looseness will cause cutter breakage.)

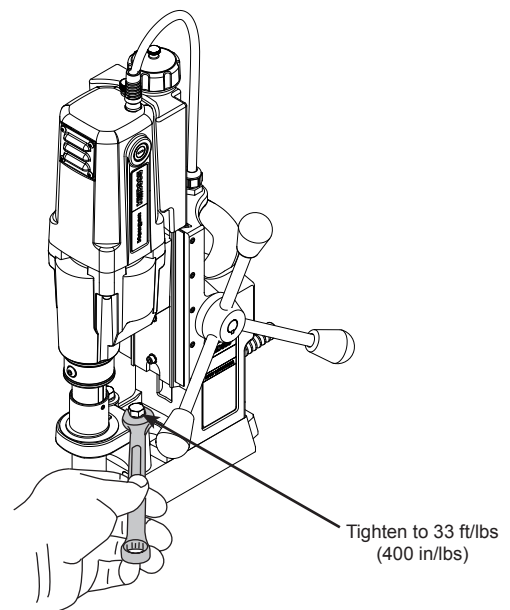
NOTE: Gibs should be lubricated regularly.



ARBOR ADJUSTMENT

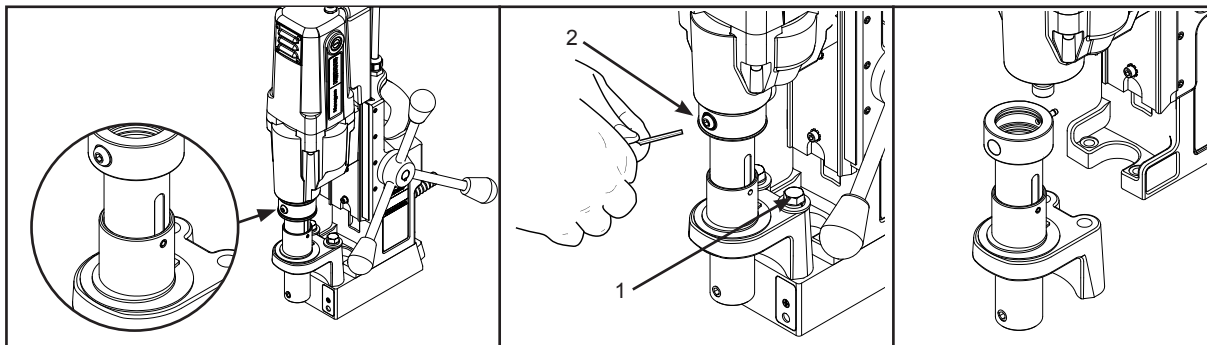
Adjust Gibs before adjusting front support bracket.

1. Arbor support bracket may become loose over time. Check Arbor Support bolts regularly to make certain they are tight. Tighten as required.
1. Loosen Arbor Support Bracket Bolts.
2. Be sure top of arbor is flush with the shoulder on motor output shaft. Also make certain arbor is securely fastened.
3. Turn feed handle until motor and spindle are at the bottom of their travel.
4. Tighten Arbor Support Bolts.
5. Feed slide up and down a few times, checking for free and uniform movement.



ARBOR & FRONT SUPPORT BRACKET REMOVAL AND INSTALLATION

Coolant Arbor



Removal

1. Loosen arbor support bracket bolts.
2. Remove screw in coolant inducer. Rotate arbor until arbor screw is in line with hole.
3. Loosen set screw holding arbor onto motor output shaft.
4. Remove arbor.

Installation

1. Hand tighten front support bracket bolts. Do not tighten all the way.
2. Slide arbor to full up position and hold arbor in position over slot drive motor output shaft.
3. Tighten set screw to hold arbor onto motor output shaft.
4. Replace coolant inducer screw.
5. Turn feed handle until motor and arbor are at the bottom of their travel.
6. Tighten front support bracket bolts to 400 in/lbs.
7. Run motor for 10 seconds. (If visual movement of arbor is noticed, restart at step 1)
8. Re-check for tightness of arbor set screws.

SWIVEL BASE INSTRUCTIONS

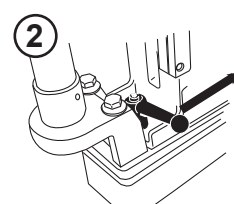
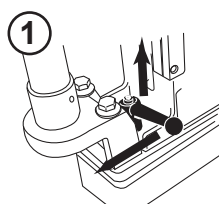
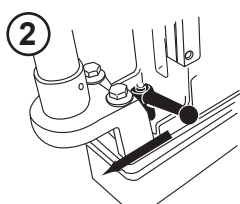
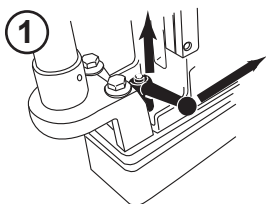
The threads on the Clamp Handle Assembly are a Left Handed thread. Meaning, turning clockwise will loosen the assembly and turning counter-clockwise will tighten the assembly. The Clamp Handle Assembly is spring loaded, so you will need to lift & turn the entire Clamp Handle Assembly when repositioning, as if to be a ratchet drive.

To Loosen the Swivel Plate Assembly

1. Lift the Clamp Handle Assembly, rotate counter-clockwise and release. This will reposition the lever for more movement.
2. With the Clamp Handle Assembly now down, pull the Clamp Handle Assembly clockwise. With this being a left handed thread, this will loosen the assembly.
3. If more travel is needed, lift the clamp handle assembly, rotate counter-clockwise and release.
4. Pull the Clamp Handle Assembly clockwise again. This amount of movement should be adequate to reposition the drill. More movement than this may cause the Magnet to disengage from the drill base.

To Tighten the Swivel Plate Assembly

1. Lift the Clamp Handle Assembly, rotate clockwise and release. This will reposition the lever for more movement.
2. With the Clamp Handle Assembly now down, push the Clamp Handle Assembly counter-clockwise. With this being a left handed thread, this will tighten the assembly.
3. If more travel is needed, lift the Clamp Handle Assembly, rotate clockwise and release.
4. Push the Clamp Handle Assembly counter-clockwise again. Continue this process until the Swivel Assembly is tight.



WARNING: Clamp Handle **MUST BE TIGHT** prior to cutting holes
Equipment damage or personal injury could occur

HINTS FOR SMOOTHER OPERATION

1. Keep the inside of Hougen Cutter clear of chips. Chips will interfere with cutting to maximum depth, maybe impede the free oil flow and can cause cutter breakage.
2. Keep work, machine, arbor and Hougen Cutter free of chips and dirt.
3. Tighten all bolts and fasteners regularly.
4. We highly recommend using a light viscosity cutting fluid (preferably Hougen Cutting Fluid).
5. Occasionally check metering of cutting fluid flow. Lack of cutting fluid may cause Hougen Cutter to freeze in cut, slug to stick and may result in poor cutter life.
6. Always start cut with light feed pressure and then increase sufficiently to achieve maximum cutting rate.
7. Ease off on pressure as cutter begins to break through at the end of the cut.
8. Keep slide dovetails, brass gibs and feed rack lubricated and free of chips and dirt.
9. When slug hangs up in cutter, turn off motor and bring cutter down on a flat surface. This will normally straighten a cocked slug, allowing it to be ejected.
10. When cutting large diameter or deep holes it may be necessary to stop in the middle of the cut to add cutting fluid and remove the chips from around the arbor. (When doing this **DO NOT** raise the cutter out of the hole. Doing so can allow chips to get under the teeth of the cutter. This will make it difficult to restart the cut.)

#1 cause of cutter breakage and prematurely dull teeth is too little feed pressure

"Babying" the cutter through the cut will only decrease tool life.

REMEDIES FOR HOLEMAKING PROBLEMS

- 1. Trouble: Magnetic base won't hold effectively to work.**
 - a. Cause: Chips or dirt under magnet.
Remedy: Clear area of chips and dirt.
 - b. Cause: Irregular surface on bottom of magnet or on workpiece.
Remedy: Lightly surface grind the bottom of the magnet flat and/or file imperfections flat on the work surface as needed.
- 2. Trouble: Cutter tends to move across surface of work.**
 - a. Cause: Magnetic base not holding effectively.
Remedy: See causes and remedies under No. 1 above.
 - b. Cause: Too much feed pressure at start of cut.
Remedy: Use light pressure until a groove is cut. The groove then serves as a stabilizer.
 - c. Cause: Worn pilot.
Remedy: Replace pilot
 - d. Cause: Worn cutter.
Remedy: Replace or have cutter resharpened.
- 3. Trouble: Out of round holes.**
 - a. Cause: Worn arbor support bracket bearing and or ejector collar.
Remedy: Replace: (only a few thousandths wear permissible.)
 - b. Cause: Misaligned support bracket
Remedy: Realign support bracket
 - c. Cause: Misaligned or loose arbor set screw.
Remedy: Tighten set screw.
- 4. Trouble: Motor and slide won't stay in set position**
 - a. Cause: Gibs too loose
Remedy: Adjust gibs
- 5. Trouble: Erratic or intermittent feed.**
 - a. Cause: Worn or pinion and/or rack.
Remedy: Replace worn parts.
- 6. Trouble: Motor doesn't run when motor START button is pushed.**
 - a. Cause: Magnet is not turned on
Remedy: Push magnet ON button.
 - b. Cause: Magnet on rough or dirty work surface and safety switch not fully depressed.
Remedy: File work surface flat and clean all chips and oil from under magnet.
 - c. Cause: No power
Remedy: Check power source and extension cords.
 - e. Cause: Worn motor brushes
Remedy: Replace brushes
 - f. Cause: Faulty motor START switch
Remedy: Return unit to an authorized repair center to have switch replaced.

NOTE: If you are unable to correct any malfunction after trying the above, do not attempt to operate the drill. Return the unit to the factory or authorized repair center for service.

COMMERCIAL / INDUSTRIAL LIMITED WARRANTY

Hougen Manufacturing, Inc. warrants its Portable Magnetic Drills, Trak-Star Rail Drills, Hydraulic Rail Saw and Tornado II Paint Shakers for two (2) years, Electro-Hydraulic Hole Punchers for one (1) year, and its Husqvarna Saw and other products for ninety (90) days from date of purchase against defects due to faulty material or workmanship and will repair or replace (at its option) without charge any items returned. This warranty is void if the item has been damaged by accident or unreasonable use, neglect, improper service, or other causes not arising out of defects in material or workmanship. No other expressed warranty is given or authorized. Hougen Manufacturing, Inc. disclaims any implied warranty of Merchantability or fitness for any period beyond the expressed warranty and shall not be liable for incidental or consequential damages. Some states do not allow exclusion of incidental or consequential damages or limitation on how long an implied warranty lasts and, if the law of such a state governs your purchase, the above exclusion and limitation may not apply to you. This warranty gives you specific legal rights and you may also have other rights which vary from state to state.

To obtain warranty service, return the item(s), transportation prepaid to your nearest Factory Authorized Warranty Service Center, or to Hougen Manufacturing, Inc., 3001 Hougen Drive, Swartz Creek, MI 48473.

This warranty is in lieu of any other warranty, expressed or implied, including any warranty of merchantability or fitness for a particular purpose.

Photographs and Specifications shown are accurate in detail at time of printing. Manufacturer reserves the right to make improvements and modifications without prior notice. Hougen, Rotabroach, and Hougen-Edge are proprietary trademarks of Hougen Manufacturing Inc.

HOUGEN AUTHORIZED WARRANTY REPAIR CENTERS

Hougen Authorized Warranty Repair Centers have been factory trained to properly service and repair Hougen Portable Magnetics Drills. To locate an Authorized Warranty Repair Centers near you, please visit:

www.hougen.com



Hougen Manufacturing, Inc.

3001 Hougen Drive • Swartz Creek, MI 48473

Phone (810) 635-7111

www.hougen.com • info@hougen.com

© 2024 Hougen Manufacturing, Inc.



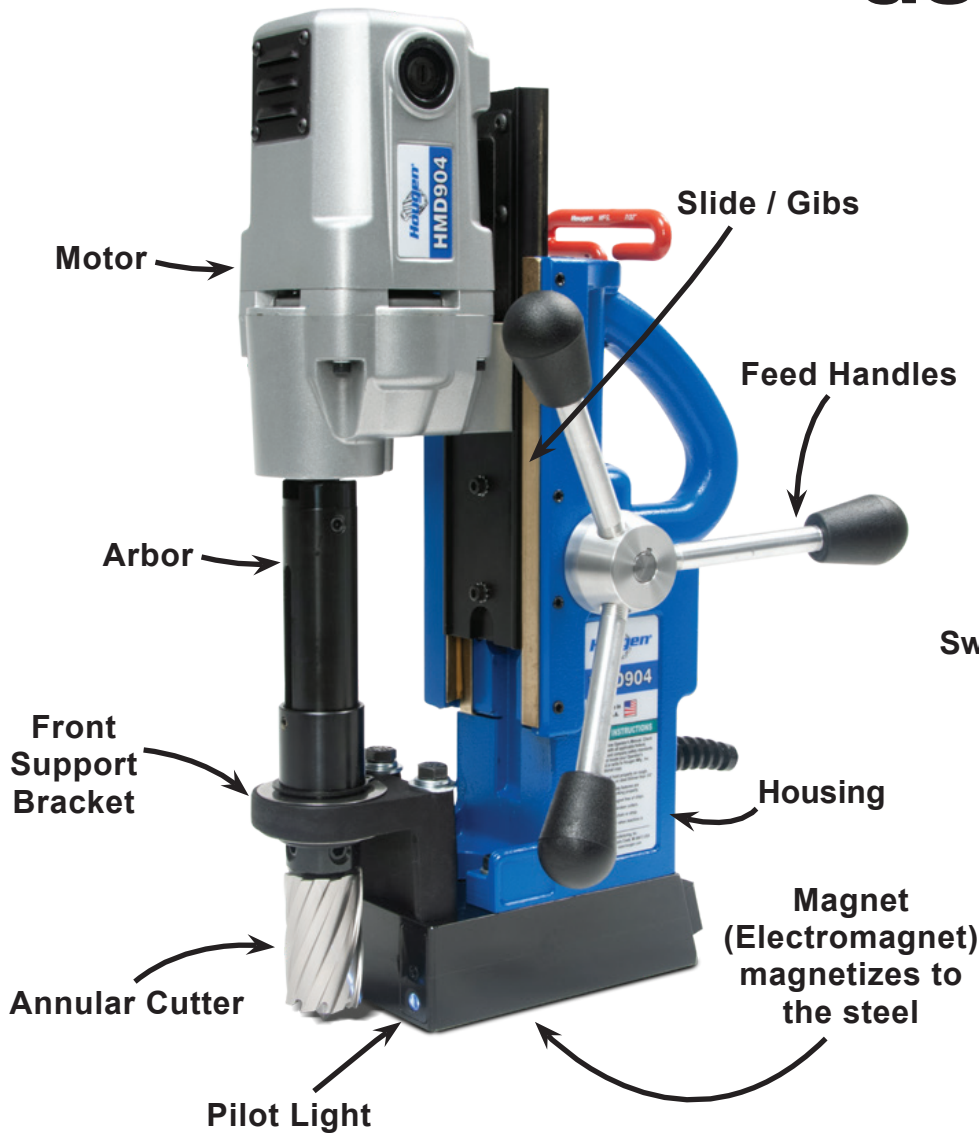
Hougen[®]

SAFE OPERATION FOR MAGNETIC DRILLS

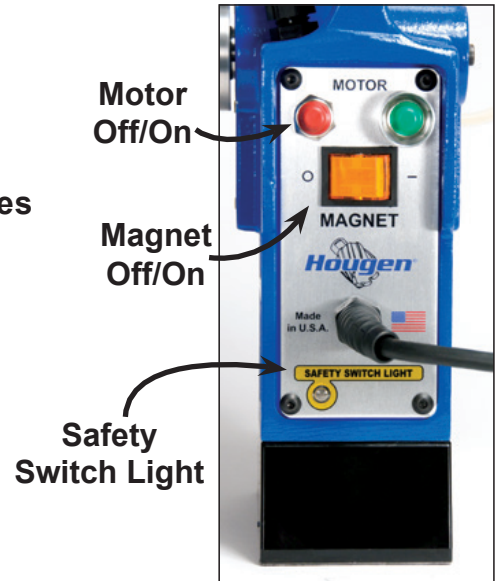
***A General Guide for Safe
Operating Procedures***



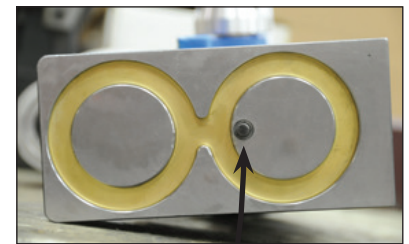
General Parts



Typical Control Panel



Bottom of Magnet



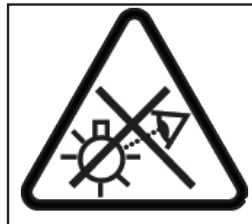
SAFETY FIRST



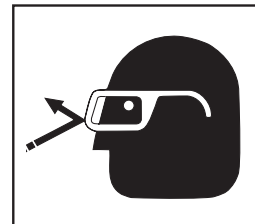
Cutters are sharp. Wear gloves when installing or removing cutter from arbor. Do not grab a rotating cutter.



To prevent electric shock, do not use power tools near wet areas, or where power tool may become wet.



Do not stare at operating light.



Always wear eye protection while using cutting tools, or in the vicinity of cutting.



The slug is ejected at the end of the cut. Do not aim cutter or arbor so that ejected slug may hit someone around, or below you.

A magnetic drill can be a very useful tool for holemaking. Please read and follow all safety procedures outlined in your operator's manual and according to company policy.

IMPORTANT SAFETY INSTRUCTIONS



WARNING:

Read all safety warnings, instructions, illustrations and specifications provided with this power tool. Failure to follow all instructions listed below may result in electric shock, fire and/or serious injury.

1. Work Area Safety

- a) Keep your work area clean and well lit. *Cluttered or dark areas invite accidents.*
- b) Do not operate power tools in explosive atmospheres, such as in the presence of flammable liquids, gases or dust. *Power tools create sparks which may ignite the dust or fumes.*
- c) Keep children and bystanders away while operating a power tool. *Distractions can cause you to lose control.*

2. Electrical Safety

- a) Power tool plugs must match the outlet. Never modify the plug in any way. Do not use any adapter plugs with earthed (grounded) power tools. *Unmodified plugs and matching outlets will reduce risk of electrical shock.*
- b) Avoid body contact with earthed or grounded surfaces such as pipes, radiators, ranges and refrigerators. *There is an increased risk of electric shock if your body is earthed or grounded.*
- c) Don't expose power tools to rain or wet conditions. *Water entering a power tool will increase the risk of electric shock.*
- d) Do not abuse the cord. Never use the cord for carrying or unplugging the power tool. Keep cord away from heat, oil, sharp edges or moving parts. *Damaged or entangled cords increase the risk of electric shock.*
- e) When operating a power tool outdoors, use an outdoor extension cord suitable for outdoor use. *Use of a cord suitable for outdoor use reduces the risk of electric shock.*
- f) If operating a power tool in a damp location is unavoidable, use a residual current device (RCD) protected supply. *Use of an RCD reduces the risk of electric shock.*

3. Personal Safety

- a) Stay alert, watch what you are doing and use common sense when operating a power tool. Do not use a power tool while you are tired or under the influence of drugs, alcohol, or medication. *A moment of inattention while operating power tools may result in serious personal injury.*
- b) Use personal protective equipment. Always wear eye protection. *Protective equipment such as dust mask, non-skid shoes, hard hat or hearing protection used for appropriate conditions will reduce personal injuries.*

- c) Prevent unintentional starting. Ensure the switch is in the off-position before connecting to power source and/or battery pack, picking up or carrying the tool. *Carrying power tools with your finger on the switch or energizing power tools that have the switch on invites accidents.*
- d) Remove any adjusting keys or wrenches before turning the power tool on. *A wrench or a key that is left attached to a rotating part of the power tool may result in personal injury.*
- e) Do not overreach. Keep proper footing and balance at all times. *This enables better control of the power tool in unexpected situations.*
- f) Dress properly. Do not wear loose clothing or jewelry. Keep your hair and clothing away from moving parts. *Loose clothes, jewelry or long hair can be caught in moving parts.*
- g) If devices are provided for the connection of dust extraction and collection facilities, ensure these are connected and properly used. *Use of dust collection can reduce dust-related hazards.*
- h) Do not let familiarity gained from frequent use of tools allow you to become complacent and ignore tool safety principles. *A careless action can cause severe injury within a fraction of a second.*
- i) Always use a safety chain. *Mounting can release.*

4. Power Tool Use and Care

- a) Do not force the power tool. Use the correct power tool for your application. *The correct power tool will do the job better and safer at the rate for which it is designed.*
- b) Do not use the power tool if the switch does not turn it on or off. *Any power tool that cannot be controlled with the switch is dangerous and must be repaired.*
- c) Disconnect the plug from the power source and/or remove the battery pack, if detachable, from the power tool before making any adjustments, changing accessories or storing power tools. *Such preventative safety measures reduce the risk of starting the tool accidentally.*

(Continued on page 4)

Save all warnings and instructions for future reference.



IMPORTANT SAFETY INSTRUCTIONS

- d) Store idle power tools out of the reach of children and do not allow persons unfamiliar with the power tool or these instructions to operate the power tool. *Power tools are dangerous in the hands of untrained users.*
- e) Maintain power tools and accessories. Check for misalignment or binding of moving parts, breakage of parts and any other condition that may affect the power tool's operation. If damaged, have the power tool repaired before use. *Many accidents are caused by poorly maintained power tools.*
- f) Keep cutting tools sharp and clean. *Properly maintained cutting tools with sharp cutting edges are less likely to bind and are easier to control.*
- g) Use the power tool, accessories and tool bits etc. in accordance with the instructions, taking into account the working conditions and the work to be performed. *Use of the power tool for operations different from those intended could result in a hazardous situation.*
- h) Keep handles and grasping surfaces, clean and free from oil and grease. *Slippery handles and grasping surfaces do not allow for safe handling and control of the tool in unexpected situations.*

5. Service

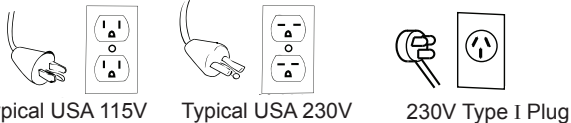
- a) Have your power tool serviced by a qualified repair person using only identical replacement parts. *This will ensure that the safety of the power tool is maintained.*

ADDITIONAL SAFETY INSTRUCTIONS

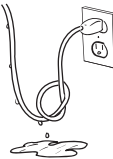
Safe Electrical Connection

Your Drill is rated for use on 115VAC or 230V at 50-60Hz. Do not attempt to use the drill on power sources rated other than this.

Plugs and Receptacles



Wet electrical connections are shock hazards. To prevent the cutting fluid from traveling along the cord and contacting the plug or power outlet, tie a drip loop as shown. Also elevate extension cords or gang box connections.



Extension Cords

Use only 3-wire extension cords that have a 3-prong grounding type plug and 3-pole receptacles that accept the tool's plug. Replace or repair damaged cords. Make sure the conductor size is large enough to prevent excessive voltage drop which will cause loss of power and possible motor damage.

| LENGTH OF CORD, FEET | RECOMMENDED WIRE GAUGE | RECOMMENDED WIRE GAUGE |
|----------------------|----------------------------|--------------------------|
| | 115V MOTOR 10 - 12 AMPS | 230V MOTOR 5 - 6 AMPS |
| Up to 25 | 16 | 18 |
| 26 - 50 | 14 | 18 |
| 51 - 100 | 10 | 16 |
| 101 - 200 | 8 | 14 |
| 201 - 300 | 6 | 12 |
| 301 - 500 | 4 | 10 |

Outdoor Extension Cord Use

When a tool is used outdoors, use only extension cords intended for use outdoors and so marked.

Additional Safety Precautions

The Arbor and cutter should never be used as a handhold or handle. Keep hands and clothing away from all moving parts. Do not use Houghen Cutters where ejected slug might cause injury (slug ejected at end of cut). Also, adhere to all operating instructions. Do not drill through any surface that may contain live electrical wiring. Drilling into a live wire could cause exposed metal parts of the drill to be made live. Remove chips wrapped around the cutter and arbor after each hole. With the motor off and power disconnected, grasp chips with leather gloved hand or pliers and pull while rotating counterclockwise. Should the cutter become jammed in the work, stop the unit immediately to prevent personal injury. Disconnect the drill from the power supply and loosen the jammed cutter by turning the arbor counterclockwise. Never attempt to free the jammed cutter by starting the motor. Service at an authorized repair center only.

Operating Near Welding Equipment

DO NOT operate this unit on the same work surface that welding is being performed on. Severe damage to the unit, particularly the power cord, could occur. This could also result in personal injury to the operator.

Circuit Breaker (If Applicable)

Changing of the circuit breaker to a higher amp rated breaker, or bypassing the circuit breaker is not recommended and will void the product warranty.

Circuit Breaker Operation (If Applicable)

The circuit breaker is a thermal breaker. When it reaches the higher temperature rating it will trip and cause the unit to shut down. This is a protective device and can be reset after 5 to 10 minutes. To reset the breaker, press the breaker button back in. If it does not reset, let the unit cool a little longer until you can push the button in and it stays in position.

Save all warnings and instructions for future reference.

SAFETY CHAIN INSTRUCTIONS

A safety chain should **ALWAYS** be used whenever operating the drill.

The safety chain prevents the drill unit from falling, in the event of a power failure or if the magnet breaks loose from the work surface. The safety chain attaches to the drill by running the chain thru the D-Ring on the back of the unit and then continuing around the material and/or work surface. Adjust the chain so it is tight and secure.



CONTROL PANEL OPERATION



TYPICAL
CONTROL PANEL

IMPORTANT: Before turning on the machine, it is important that the operator understands the interrelated functions of the **SAFETY SWITCH, MAGNET SWITCH, AND MOTOR SWITCHES. READ SAFETY SWITCH INDICATOR LIGHT INSTRUCTIONS.**

SAFETY SWITCH — Located in base of drill. Enables motor operation only when magnet is properly seated on a clean and flat work surface. Turns motor off if switch detects lift of unit. (See page 2 for location of safety switch)

MAGNET ON/OFF SWITCH — Energizes and De-energizes the magnetic base and activates the safety switch. Motor can now be started by pushing the motor **START** switch.

MOTOR START/STOP SWITCHES — Starts and stops the motor.

1. Place Magnetic Drill on clean, flat steel plate that is at least 3/8" thick.
2. Plug unit into proper AC power source. **DO NOT use with DC Power.**
3. Locate the Magnet **ON** and **OFF** switch and the motor **STOP** and **START** switch.
4. **NOTE: A loss of power will de-energize the magnetic base and deactivate the motor. When power is restored, the magnet will re-energize, however, the motor START switch must be depressed before the motor will start.**

SAFETY SWITCH INDICATOR LIGHT

**** SAFETY SWITCH LIGHT WILL COME ON AND REMAIN ON WHILE DRILL IS PLUGGED IN ****

The Safety Switch Indicator Light is a Standard Safety Feature on Hougen portable magnetic drills. Its purpose is to inform the user that the lift detector switch is activated.

If light is Green:

In normal operation the safety switch light will be green. Motor "On" and "Off" Switches function normally.

If light is Red:

A condition with the safety switch exists that needs to be corrected. Possible causes:

- Safety Switch is defective. Have drill serviced.
- Uneven work surface or material. Check work surface for flatness.
- Dirt or chips under magnet. Clean work surface.



CONTROL PANEL SWITCH PLATE

Testing Safety Switch:

Before operating the drill always test the safety switch. To test switch... place drill on work surface and plug into the outlet. Rock drill so magnet lifts off work surface. Safety Switch Light should change from green to red. If light stays green or red, a problem exists with the safety switch that must be corrected. (ie... safety switch defective, safety plunger in the base of magnet is stuck in position, etc) Please correct and retest before operating drill.

Material must be a least 3/8" thick. Material thinner than 3/8" will cause a "weak" magnet condition. HOUGEN MANUFACTURING RECOMMENDS THAT CONDITIONS ARE CORRECTED SO LIGHT IS GREEN. THIS ALLOWS FOR THE UNIT TO BE OPERATED IN A SAFE MANNER.

For any questions please contact Hougen Manufacturing's Technical Service at (810) 635-7111.

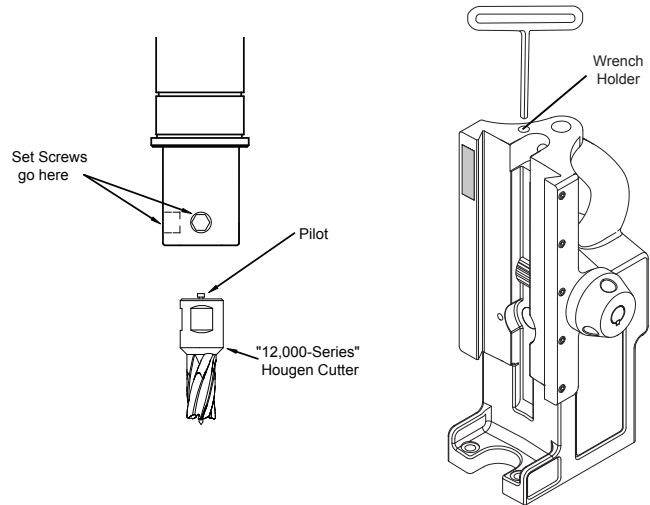
PILOT LIGHT SWITCH

The Pilot Light is a Standard Feature on Hougen portable magnetic drills. Its purpose is to illuminate the work surface area for easier viewing of the pilot.



INSTALLING THE HOUGEN CUTTER IN THE ARBOR

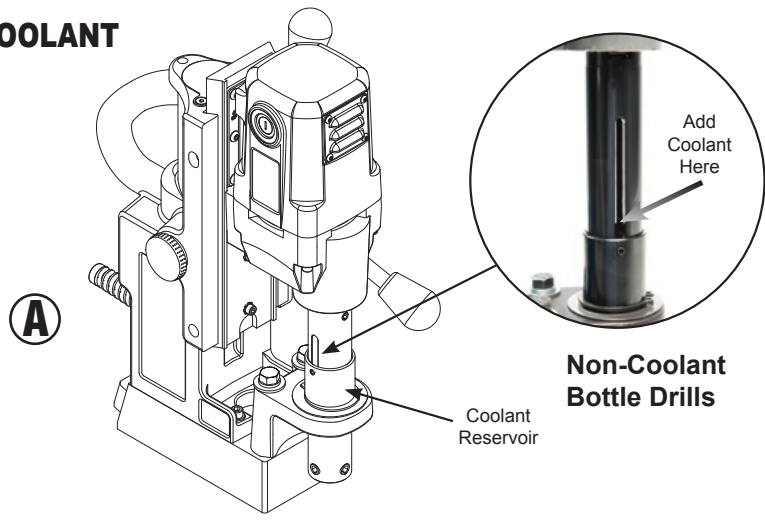
1. Disconnect from the power source and remove T-Handle wrench from holder at top of drill.
2. Lay drill on its side with the feed handles up or be sure the Arbor clears table if unit is in normal operating position.
3. Turn the Feed Handles until the cutter mounting set screws are exposed and completely remove the set screws.
4. Insert proper pilot in shank end of the Hougen Cutter.
5. Insert the Hougen Cutter until the flat on the cutter shank is aligned with the set screw holes and is exactly perpendicular to axis of the set screw holes.
6. Insert the set screws and tighten. Check to be certain that the cutter is secure.



OPERATION OF THE CUTTING FLUID RESERVOIR

FOR BEST RESULTS ALWAYS USE COOLANT

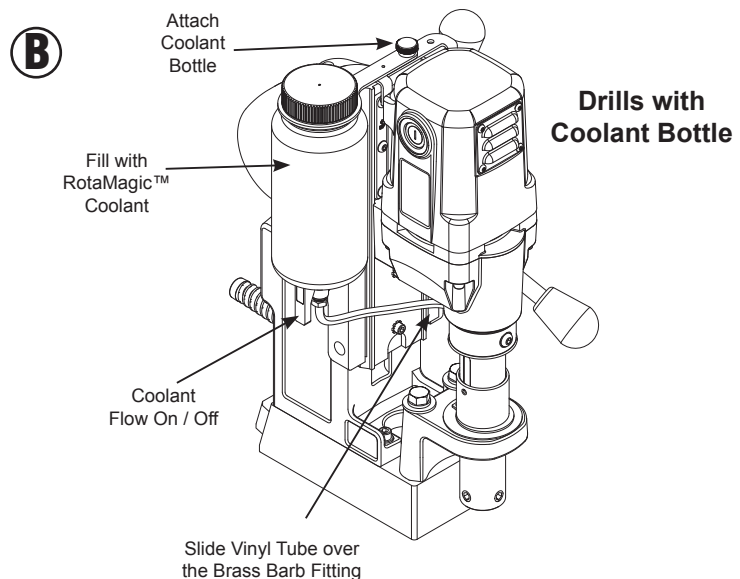
1. With Magnetic Drill in the operating position, turn the feed handles so that the cutter and pilot are above the work surface.
2. With the magnet turned ON & motor OFF,
 - A) For non-coolant bottle drills... fill the arbor reservoir by introducing RotaMagic™ cutting fluid through the slots in Arbor. **Cutting fluid should not leak out.**
 - B) For drills with a Coolant bottle... attach the coolant bottle per diagram and fill with coolant.
3. Test metering capabilities of the Arbor/Cutter/Pilot assembly (magnet ON - motor OFF) by feeding the Arbor gently toward the work surface until the pilot is pushed up into the Cutter, thus allowing fluid to filter down onto the work surface through the groove in the pilot.



Non-Coolant Bottle Drills.....

4. For proper lubrication, all fluid in the reservoir should empty onto the work surface in no less than 15 seconds and no longer than 30 seconds.
5. The Arbor Reservoir holds enough coolant for cutting approximately one hole.

* This method of using coolant can also be used for an attached coolant bottle if the bottle is lost.
6. For drills with a coolant bottle, use the coolant bottle on/off lever to adjust the flow of the coolant.
7. For horizontal or drilling overhead holes, use Slick-Stik™ Lubricant.



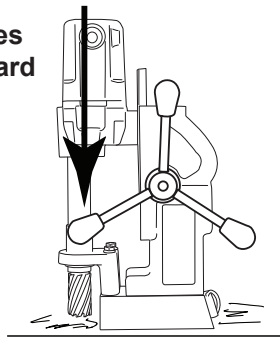
OPERATING INSTRUCTIONS

Always remember that the magnet's holding power is directly related to the workpiece thickness and surface condition. Since magnetic attraction diminishes with thinner material or rough surfaces, mechanical clamping of drill unit to the workpiece should be used when cutting thin material (3/8" or less) or material with uneven surfaces.

1. Make sure the workpiece and bottom of the magnet are free of chips, oil, etc.
2. Verify that the Safety Switch works properly (See Safety Switch Indicator Light Section)
3. Position the drill by sliding it and gently feeding the Arbor so that pilot point is touching the center of hole to be drilled.
4. **Secure the unit to the workpiece with a safety chain.**
5. Turn the magnet "ON" by pressing the magnet ON switch.
6. Turn the Feed Handle, raising the cutter until the pilot is above the work surface.
7. Fill the coolant reservoir or fill the attached coolant bottle if applicable.
8. Make certain that the cutter is clear of the workpiece and turn the motor "ON" by pressing the motor START switch.
9. Feed the Hougén Cutter slowly into the workpiece. Only after a cutting path is established to a depth of about 1/16" can the full force be applied to the feed handles.
10. Ease up on the feed pressure as the cutter starts breaking through.
11. At the conclusion of cut, turn the motor "OFF" by pressing the motor STOP switch. Turn the Feed Handles to raise the Arbor thereby ejecting the slug, if it hasn't already fallen free.
12. Turn the magnet "OFF" by pressing the magnet OFF switch.
13. **Disconnect from the power source.**
14. If necessary, remove the chips from the cutter and magnet, preferably wearing leather work gloves and/or with pliers. Disconnect the safety chain and you are ready to move the unit to the new drilling position.

When drilling, especially in horizontal or overhead positions, always apply feed pressure toward the work surface. Never pull away from the work surface as this can weaken the magnetic holding power.

**Use handles
to feed toward
the work
surface**



**Never pull
handles away
from the work
surface**



MAINTENANCE

In order to minimize wear on moving parts and to insure smoother operation and longer life for your magnetic drill, the following maintenance should be done periodically, based on use.

1. Regularly tighten all fasteners and replace all worn parts.
2. Check the motor brushes and replace if worn.
3. Check the power cord and cord from panel to motor and, if cracked or frayed, return to an authorized repair center for replacement.
4. Apply grease to the slide dovetails, brass gibs, and the feed gear rack. For best results use Shell Cyprina-RA or equivalent.
5. Remove the arbor and pack the bearing in the front support bracket with grease. Use Shell Cyprina-RA or equivalent.
6. The safety switch plunger should be cleaned and lubricated with penetrating oil periodically. As necessary remove the magnet from the drill and remove the safety switch assembly from magnet. Push the plunger out of the magnet. Clean out any debris from inside and around the plunger hole in the magnet. Coat the plunger with anti-seize. Replace the plunger and the safety switch assembly and tighten down the screws. Replace the magnet onto the drill housing.



HINTS FOR SMOOTHER OPERATION

1. Keep the inside of the Hougen Cutter clear of chips. Chips will interfere with cutting to maximum depth, maybe impede the free oil flow and can cause cutter breakage.
2. Keep the work, machine, arbor and the Hougen Cutter free of chips and dirt.
3. Tighten all bolts and fasteners regularly.
4. We highly recommend using a light viscosity cutting fluid (preferably Hougen Cutting Fluid).
5. Occasionally check metering of cutting fluid flow. Lack of cutting fluid may cause the Hougen Cutter to freeze in the cut, slug to stick and may result in poor cutter life.
6. Always start the cut with light feed pressure and then increase sufficiently to achieve the maximum cutting rate.
7. Ease off on the pressure as the cutter begins to break through at the end of the cut.
8. Keep the slide dovetails, brass gibs and feed rack lubricated and free from chips and dirt.
9. When the slug hangs up in cutter, turn off the motor and bring the cutter down on a flat surface. This will normally straighten a cocked slug, allowing it to be ejected.
10. When cutting large diameter or deep holes it may be necessary to stop in the middle of the cut to add cutting fluid and remove the chips from around the arbor. (When doing this **DO NOT** raise the cutter out of the hole. Doing so can allow chips to get under the teeth of the cutter. This will make it difficult to restart the cut.)

#1 cause of cutter breakage and prematurely dull teeth is too little feed pressure

"Babying" the cutter through the cut will only decrease tool life.

***When in Doubt, Give Us a Call...
We'll be Happy to Help!***

**(810) 635-7111
tech@hougen.com**

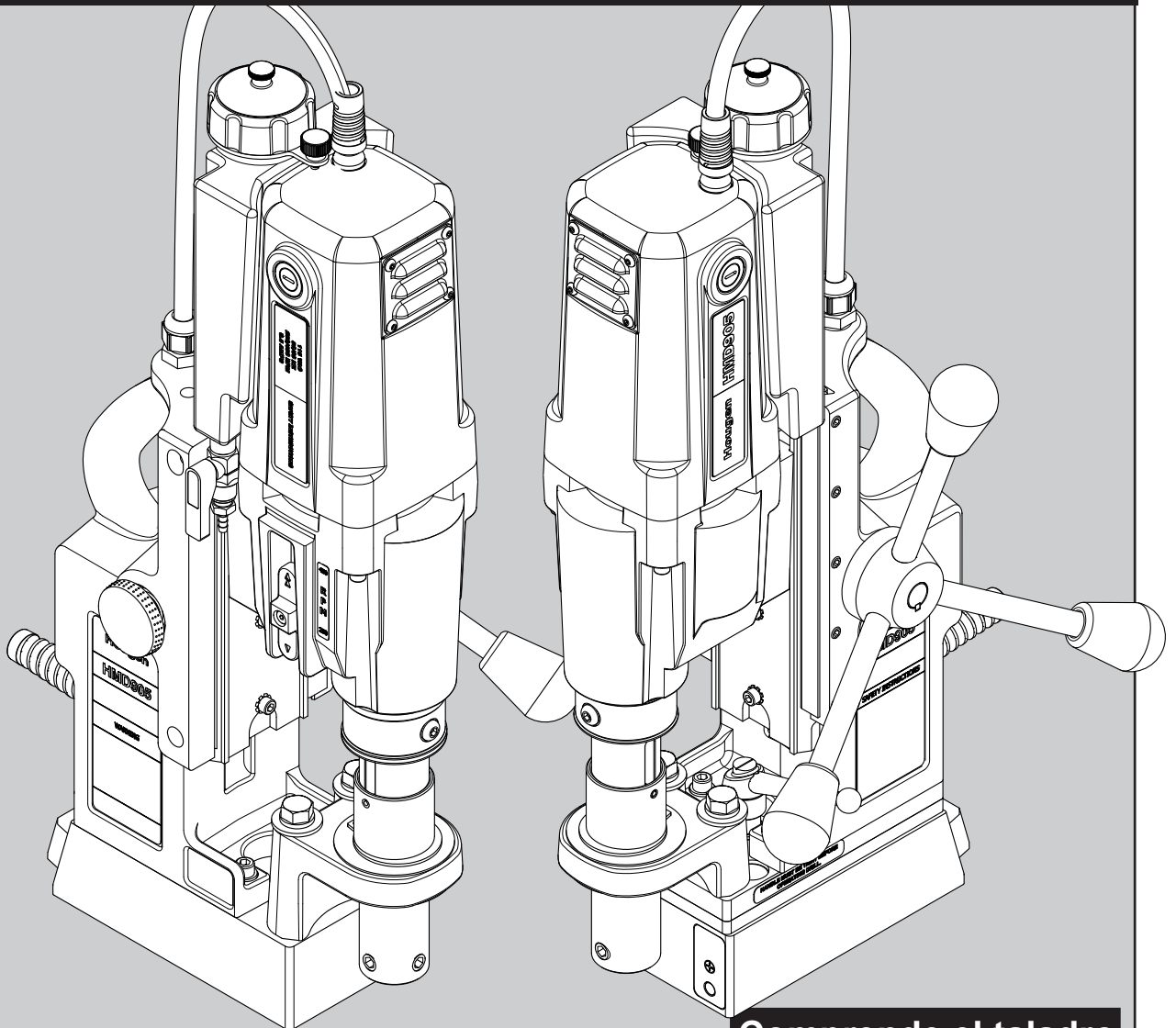


HOUGEN MANUFACTURING, INC.

3001 Hougen Drive • Swartz Creek, MI 48473 USA
Ph: (810) 635-7111 • Fax: (810) 635-8277
info@hougen.com • www.hougen.com

MANUAL DEL OPERADOR

TALADRO MAGNÉTICO PORTÁTIL DE LA SERIE HMD905



Comprende el taladro
Números de piezas:

| | |
|---------|---------|
| 0905102 | 0905105 |
| 0905104 | 0905109 |

TALADRO MAGNÉTICO PORTÁTIL DE HOUGEN®

MODELO DE LA SERIE HMD905


Bienvenido a Hougen

Felicitaciones por la compra del taladro magnético portátil de Hougen®. El modelo que ha elegido está diseñado para abrir orificios con la mayor calidad, rapidez y eficiencia. Mediante la innovación y el desarrollo constantes, Hougen está plenamente comprometido con la tarea de ofrecer productos y herramientas de perforación que le permitan mejorar su productividad.

Antes de comenzar a utilizar el taladro magnético portátil, lea todas las instrucciones. Esto incluye el Manual del operador y la etiqueta de advertencia adherida a la unidad. Con el uso, cuidado y mantenimiento adecuados, este modelo le garantizará los mejores resultados en la perforación de orificios durante años. Una vez más, le agradecemos que haya elegido nuestro producto y le damos la bienvenida a Hougen.

Especificaciones

Tipo de cortador anularHougen "serie 12.000" y Copperhead™ de carburo
 Capacidad de perforación 12 mm a 50 mm (7/16" a 2")
 Profundidad del corte50 mm (2")
 Motor250 y 450 RPM, 9
 Área de giro25mm W x 19mm L (1" de ancho x 3/4" de largo)
 Peso neto 15,9 kg (35 lb)
 Base giratoria: 17,2 kg (38 lb)

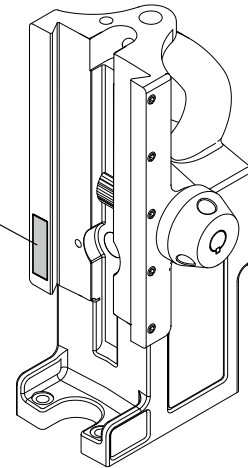
 Ciclo de servicio aprobado: 2 minutos "ON", 3 minutos "OFF"

La serie HMD905 está disponible en varias versiones. Consulte la etiqueta de número de serie/pieza adherida a la carcasa para identificar el despiece correcto.

Número de pieza

0905102 HMD905 de 115V
0905104 Base giratoria HMD905 de 115V

Etiqueta del número de serie/número de pieza



DESEMBALAJE DEL TALADRO MAGNÉTICO

- Abra la caja de envío y extraiga los paquetes de piezas y de material de información.
- Lea y siga todas las instrucciones** antes de comenzar a operar su nuevo taladro magnético.
- Por favor visite Hougen.com para registrar su unidad. Es importante que Hougen Manufacturing, Inc. lleve un registro de propiedad de los productos.
- Abra el paquete de piezas y revise el contenido.
 - 10565** Llave hexagonal de 1/8" para ajustar los retenedores
 - 10569** Manijas de avance (3)
 - 04532** Perillas de las manijas de avance (3)
 - 10730** Cadena de seguridad
 - 24166** Llave hexagonal de 7/32"
 - 13013** Llave hexagonal de 5/32"
- Tome el mango del taladro magnético y extraiga la unidad de la caja de envío.
- Retire todo el embalaje y el material de sujeción del taladro.
- Atornille las tres perillas a las tres manijas de avance y luego atornille las manijas al conjunto central. No ajustar en exceso porque se podrían estropear las perillas.
- El taladro magnético se ajusta en la fábrica antes del envío. Compruebe que todos los tornillos de ajuste de los retenedores, los tornillos de montaje del motor, los tornillos de la escuadra de soporte delantera y los tornillos de montaje del imán estén bien ajustados y no se hayan aflojado por vibración durante el traslado.
- Usted recibirá el taladro magnético completo con el árbol. El árbol tiene un orificio de 3/4" de diámetro que se adapta a todos los cortadores Hougen "serie 12.000" con vástagos de 3/4".

Vuelva a leer las advertencias de seguridad que se han incluido en el Manual del operador y en el taladro para evitar lesiones. Respete las instrucciones de funcionamiento.

ÍNDICE

| | | | |
|---|----------|---|----|
| Bienvenido a Hougen | 2 | Despiece del panel de control | 10 |
| Instrucciones de seguridad | 3-4 | Despiece del conjunto de la guía del motor | 11 |
| Instrucciones sobre la cadena de seguridad | 4 | Despiece del motor | 12 |
| Operación de los controles | 5 | Mantenimiento | 13 |
| Luz indicadora del interruptor de seguridad | 5 | Ajuste de los retenedores y del árbol | 13 |
| Interruptor de la luz del piloto | 5 | Desinstalación e instalación del árbol | 14 |
| Instalación de los cortadores anulares Hougen | 6 | Instrucciones sobre la base giratoria | 14 |
| Instrucciones de operación | 6 | Consejos y soluciones para perforaciones | 15 |
| Ensamble y despiece de la botella de refrigerante | 7 | Garantía comercial e industrial limitada | 16 |
| Despiece del conjunto HMD905 | 8-9 | Centros de reparación cubiertos por la garantía | 16 |

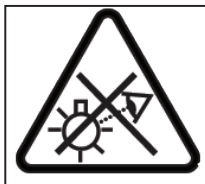
ADVERTENCIA



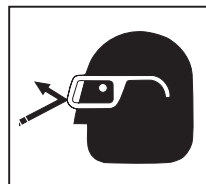
Los cortadores anulares son filosos. Utilice guantes para instalar o sacar el cortador anular del árbol. No agarre un cortador anular en movimiento.



Para evitar descargas eléctricas, no utilice herramientas motorizadas cerca de áreas que se encuentren mojadas o donde las herramientas puedan mojarse.



No mire fijamente a la luz de funcionamiento.



Siempre utilice protección ocular al manejar herramientas de corte o cuando se encuentre cerca del área de corte.



El bocado central sólido se expulsa al finalizar el corte. No deje que el cortador anular o el árbol apunten hacia ningún lugar donde el bocado central sólido, una vez expulsado, pueda golpear a alguien que se encuentre cerca o debajo de usted.

INSTRUCCIONES IMPORTANTES PARA LA SEGURIDAD



ADVERTENCIA:

Lea todas las advertencias de seguridad, instrucciones, ilustraciones y especificaciones suministradas con esta herramienta motorizada. Hacer caso omiso de las siguientes instrucciones puede ocasionar descargas eléctricas, incendios y/o lesiones físicas graves.

1. Seguridad en el área de trabajo

- Mantenga el área de trabajo limpia y bien iluminada. Si hay demasiados objetos o se trabaja en zonas oscuras, habrá mayor riesgo de accidentes.
- No opere herramientas motorizadas donde haya riesgo de explosión (por ejemplo, en presencia de líquidos, gases o polvos inflamables). Las herramientas motorizadas generan chispas que pueden encender el polvo o los gases.
- Asegúrese de que no haya niños ni otras personas cerca de la zona donde esté utilizando la herramienta motorizada. Las distracciones pueden hacer que pierda el control de la máquina.

2. Seguridad eléctrica

- Los enchufes de la herramienta motorizada deben corresponder a los tomacorrientes. No realice ninguna modificación al enchufe. No utilice enchufes adaptadores con herramientas motorizadas conectadas a tierra. Los enchufes sin modificar y que correspondan a los tomacorrientes reducen el riesgo de descargas eléctricas.
- Evite el contacto físico con superficies conectadas a tierra, como tuberías, radiadores, cocinas y refrigeradores. El riesgo de recibir una descarga eléctrica será mayor si su cuerpo está haciendo conexión a tierra.
- No exponga la herramienta motorizada a la lluvia o a condiciones de humedad. El ingreso de agua en una herramienta motorizada aumentará el riesgo de descargas eléctricas.
- No maltrate el cable. Nunca utilice el cable para transportar o desconectar la herramienta motorizada. Mantenga el cable alejado del calor, el aceite, los bordes filosos y las piezas móviles. Los cables dañados o enredados aumentan el riesgo de descargas eléctricas.
- Si planea utilizar una herramienta motorizada al aire libre, utilice un cable de extensión adecuado para uso en exteriores. Utilizar un cable adecuado para uso en exteriores reduce el riesgo de descargas eléctricas.
- Si no puede evitarse el uso de la herramienta motorizada en un lugar húmedo, es necesario utilizar una fuente de alimentación protegida con un dispositivo de corriente residual (RCD). Utilizar un RCD reduce el riesgo de descargas eléctricas.

3. Seguridad personal

- Preste atención a lo que hace y obre con sentido común al utilizar una herramienta motorizada. No use la herramienta motorizada si está cansado o se encuentra bajo los efectos de drogas, alcohol o medicamentos. Una leve distracción durante el manejo de una herramienta motorizada podría ocasionar lesiones físicas graves.
- Use los equipos de protección personal. Siempre debe usar protección ocular. La utilización de los equipos de protección personal, como máscara antipolvo, calzado de seguridad antideslizante, casco o protección auditiva, cuando sean necesarios, reduce las lesiones físicas.

- Evite que la herramienta arranque accidentalmente. Asegúrese de que el interruptor esté en la posición de apagado antes de conectar la fuente de alimentación y/o el paquete de baterías, y de levantar o transportar la herramienta. Si transporta herramientas motorizadas con el dedo sobre el interruptor o las enchufa con el interruptor activado, puede producirse un accidente.
- Retire cualquier cuña o llave de ajuste antes de encender la herramienta motorizada. Si una llave o cuña quedan sujetas a una pieza giratoria de la herramienta motorizada, pueden producirse lesiones físicas.
- No intente realizar movimientos forzados. Mantenga la estabilidad y el equilibrio en todo momento. Esto permite un mejor control de la herramienta motorizada en una situación inesperada.
- Use la vestimenta adecuada. No utilice ropa suelta ni alhajas. Mantenga el cabello y la ropa alejados de las piezas en movimiento. La ropa suelta, las alhajas y el cabello largo pueden quedar atrapados en las piezas en movimiento.
- Si se proporcionan dispositivos para conectar elementos para la extracción y recolección de polvo, asegúrese de que se conecten y usen correctamente. El uso de elementos para la recolección de polvo puede reducir los riesgos relacionados con el polvo.
- No deje que la confianza que se adquiere por el uso frecuente de la herramienta le haga disminuir la atención que debe tener e ignorar los principios de seguridad de la herramienta. Una acción descuidada puede causar lesiones graves en una fracción de segundo.
- Siempre utilice la cadena de seguridad. El montaje puede desprenderse.

4. Uso y cuidado de la herramienta

motorizada

- No fuerce la herramienta motorizada. Utilice la herramienta motorizada adecuada para el trabajo. La herramienta motorizada correcta funciona mejor y más rápido si se utiliza a la velocidad prevista.
- No utilice la herramienta motorizada si el interruptor no la enciende ni la apaga. Las herramientas motorizadas que no pueden controlarse con el interruptor son peligrosas y deben repararse.
- Desconecte el enchufe de la fuente de alimentación y/o retire el paquete de baterías, si es desmontable, de la herramienta motorizada antes de realizar cualquier ajuste, cambiar accesorios o almacenar la herramienta motorizada. Estas medidas preventivas reducirán el riesgo de que la herramienta se encienda accidentalmente.
(Continúa en la página 4)

Guarde todas las advertencias e instrucciones para consultas futuras.

INSTRUCCIONES IMPORTANTES PARA LA SEGURIDAD

- d) Guarde las herramientas motorizadas que no utilice fuera del alcance de los niños y no permita que personas no familiarizadas con la herramienta motorizada o con estas instrucciones pongan en funcionamiento la herramienta motorizada. *Las herramientas motorizadas son peligrosas en manos de usuarios no capacitados.*
- e) Haga mantenimiento a las herramientas motorizadas y a los accesorios. Controle que las piezas en movimiento no estén desalineadas o atascadas, que no haya piezas rotas ni ninguna otra condición que pueda afectar el funcionamiento de la herramienta motorizada. Si hay piezas dañadas, haga reparar la herramienta motorizada antes de utilizarla. *Muchos accidentes se producen por el uso de herramientas motorizadas en mal estado.*
- f) Asegúrese de que las herramientas de corte estén siempre afiladas y limpias. *Las herramientas de corte que se mantienen en buen estado, con los bordes de corte afilados, son menos propensas a trabarse y más fáciles de controlar.*
- g) Utilice la herramienta motorizada, los accesorios, las brocas, etc. de acuerdo con las instrucciones, teniendo en cuenta las condiciones de trabajo y el trabajo a realizar. *La utilización de la herramienta motorizada para tareas diferentes a las previstas puede resultar en situaciones de riesgo.*
- h) Mantenga los mangos y superficies de agarre limpios y sin aceite ni grasa. *Las superficies de agarre y los mangos resbalosos no permiten un agarre seguro ni controlar la herramienta en situaciones inesperadas.*

5. Mantenimiento

- a) El mantenimiento de su herramienta motorizada debe realizarlo personal de reparación calificado, utilizando solo repuestos idénticos. *Esto permite garantizar la seguridad de la herramienta motorizada.*

INSTRUCCIONES ADICIONALES PARA LA SEGURIDAD

Conexión eléctrica segura

El taladro está preparado para funcionar con 115 VCA o 230 V a 50-60 Hz. No intente utilizar el taladro con fuentes de alimentación que tengan otras tensiones o frecuencias.

Enchufes y tomacorrientes



Si las conexiones eléctricas están mojadas, habrá riesgo de descargas. A fin de evitar que el lubricante para corte se desplace a lo largo del cable y entre en contacto con el enchufe o tomacorriente, haga un lazo de goteo, como se ilustra a continuación. Además, eleve los cables de extensión o las conexiones de las cajas de distribución eléctrica.

Cables de extensión

Solo debe utilizar cables de extensión de 3 hilos que tengan enchufes de 3 clavijas con toma de tierra, y tomacorrientes de 3 polos que sean compatibles con el enchufe de la herramienta. Reemplace o repare los cables dañados. Asegúrese de que el conductor tenga la longitud necesaria para evitar una caída abrupta de la tensión, lo que provocaría un corte de la alimentación eléctrica y podría dañar el motor.

| LONGITUD DEL CABLE EN PIES | CALIBRE RECOMENDADO PARA EL CABLE | CALIBRE RECOMENDADO PARA EL CABLE |
|----------------------------|-----------------------------------|-----------------------------------|
| | MOTOR DE 115 V 10-12 A | MOTOR DE 230 V 5-6 A |
| Hasta 7,6 m (25') | 16 | 18 |
| 7,9-15,2 m (26-50') | 14 | 18 |
| 15,5-30,5 m (51-100') | 10 | 16 |
| 30,8-61,0 m (101-200') | 8 | 14 |
| 61,3-91,4 m (201-300') | 6 | 12 |
| 91,7-152,4 m (301-500') | 4 | 10 |

Uso de cables de extensión en exteriores

Si utiliza la herramienta en exteriores, solo debe utilizar cables de extensión identificados como aptos para uso en exteriores.

Otras medidas de seguridad

El árbol y el cortador anular no deben utilizarse como puntos de sujeción ni como manija. Mantenga las manos y la ropa alejadas de cualquier pieza en movimiento. No utilice los cortadores anulares Hougén en lugares donde el bocado central sólido pueda causar lesiones al ser expulsado (recuerde que el bocado central sólido sale expulsado al finalizar el corte). Además, respete todas las instrucciones de funcionamiento. No perforo superficies que puedan contener cables eléctricos con corriente. Si perfora un cable con corriente, es posible que las piezas metálicas expuestas del taladro queden cargadas eléctricamente. Retire las virutas acumuladas alrededor del cortador anular y del árbol después de cada perforación. Con el motor apagado y la alimentación desconectada, tome las virutas con un guante de cuero o tenazas y jálelas mientras las gira en sentido contrahorario. Si el cortador anular queda atascado en la pieza, detenga la unidad inmediatamente para evitar lesiones físicas. Desconecte el taladro de la fuente de alimentación y afloje el cortador anular atascado girando el árbol en sentido contrahorario. No intente darle arranque al motor para liberar el cortador anular atascado. Haga reparar la unidad en centros de reparación autorizados, exclusivamente.

Uso de la herramienta cerca de equipos de soldadura

NO ponga en funcionamiento esta unidad en la misma superficie de trabajo sobre la que se realizan soldaduras. Pueden producirse daños en la unidad, particularmente en el cable de alimentación. El operador también podría sufrir lesiones físicas.

Corta circuitos (si corresponde)

No se recomienda puentear el corta circuitos o cambiarlo por otro de un amperaje superior; si se hace, se invalidará la garantía del producto.

Funcionamiento del corta circuitos (si corresponde)

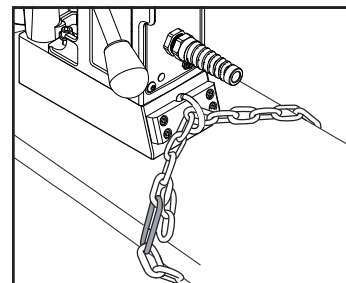
El corta circuitos es del tipo térmico. Cuando alcanza el índice de temperatura más elevado, el corta circuitos se dispara y la unidad se apaga. Este es un dispositivo de protección que se puede restablecer después de un lapso de 5 a 10 minutos. Para restablecerlo, presione el botón del corta circuitos hacia adentro. Si no ocurre nada, deje que la unidad se enfríe un poco más hasta que, una vez oprimido el botón, este se mantenga en esa posición.

Guarde todas las advertencias e instrucciones para consultas futuras.

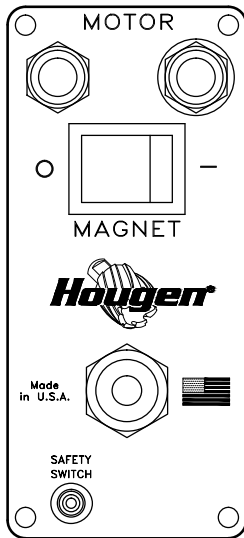
INSTRUCCIONES SOBRE LA CADENA DE SEGURIDAD

SIEMPRE que se ponga en funcionamiento el taladro, se debe utilizar una cadena de seguridad.

La cadena de seguridad evita que el taladro se caiga si se produce un corte del suministro eléctrico o si el imán se suelta de la superficie de trabajo. La cadena de seguridad se sujeta al taladro al pasar por el anillo en D en la parte posterior de la unidad y continuar alrededor del material y/o la superficie de trabajo. Ajuste la cadena hasta que quede firmemente sujeta. Consulte el diagrama.



FUNCIONAMIENTO DE LOS CONTROLES ANTES DE LA INSTALACIÓN DEL CORTADOR HOUGEN



PLACA DE INTERRUPTORES DEL PANEL DE CONTROL

IMPORTANTE: antes de encender la máquina, es importante que el operador sepa cómo interactúa el INTERRUPTOR DE SEGURIDAD con el INTERRUPTOR DEL IMÁN y los INTERRUPTORES DEL MOTOR. **LEA LAS INSTRUCCIONES DE LA LUZ INDICADORA DEL INTERRUPTOR DE SEGURIDAD.**

INTERRUPTOR DE SEGURIDAD: está ubicado en la base del taladro. Solo permitirá que el motor funcione cuando el imán esté correctamente asentado en una superficie de trabajo limpia y plana. Si detecta la separación de la unidad, este interruptor apagará el motor.

INTERRUPTOR DE ENCENDIDO/APAGADO DEL IMÁN: activa y desactiva la base magnética y enciende el interruptor de seguridad. Una vez hecho esto, se puede presionar el interruptor de arranque del motor para encenderlo.

INTERRUPTORES DE ARRANQUE/PARADA DEL MOTOR: arrancan y detienen el motor.

1. Coloque el taladro magnético sobre una placa de acero limpia y plana, que tenga un grosor mínimo de 3/8".
2. Conecte la unidad a una fuente de alimentación de CA adecuada. **NO utilice el taladro con alimentación de CC.**
3. Localice el interruptor de encendido y apagado del imán y el interruptor de arranque y parada del motor.
4. **NOTA: todo corte de la alimentación eléctrica desactivará la base magnética y apagará el motor. Cuando se restablezca el suministro eléctrico, el imán volverá a activarse, pero el motor solo se encenderá si se presiona el interruptor de arranque.**

LUZ INDICADORA DEL INTERRUPTOR DE SEGURIDAD

**** LA LUZ DEL INTERRUPTOR DE SEGURIDAD SE ENCENDERÁ Y SE MANTENDRÁ ENCENDIDA MIENTRAS EL TALADRO PERMANECE ENCHUFADO ****

La luz indicadora del interruptor de seguridad es una característica de seguridad estándar en los taladros magnéticos portátiles de Hougen. Su función consiste en advertirle al usuario que se ha presentado una situación poco segura.

Si la luz es verde:

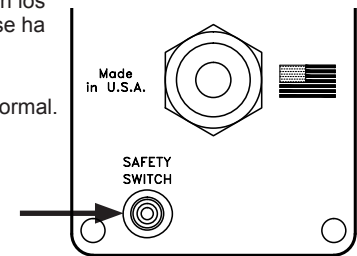
El interruptor de seguridad muestra una luz de color verde durante el funcionamiento normal. Los interruptores de "encendido" y "apagado" del motor funcionan normalmente.

Si la luz es roja:

Se ha producido un problema en el interruptor de seguridad que debe solucionarse.

Causas posibles:

- El interruptor de seguridad tiene una falla. Haga reparar el taladro.
- La superficie o el material de trabajo son desiguales. Revise la superficie de trabajo para controlar que no sea irregular.
- Hay suciedad o virutas debajo del imán. Limpie la superficie de trabajo.



PLACA DE INTERRUPTORES DEL PANEL DE CONTROL

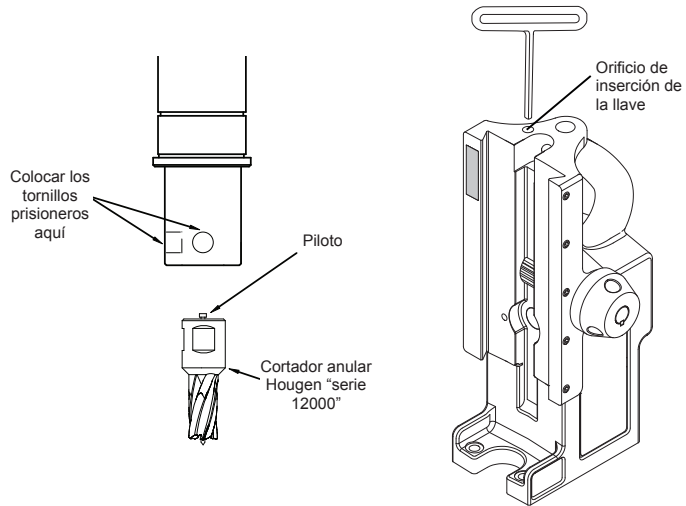
El material debe tener un grosor mínimo de 3/8". Si es más delgado, el "agarramiento" del imán disminuirá.

HOUGEN MANUFACTURING RECOMIENDA SOLUCIONAR ESTOS PROBLEMAS PARA QUE SE PONGA LA LUZ VERDE. ESTO INDICARÁ QUE LA UNIDAD FUNCIONA DE MANERA SEGURA.

Si desea formular alguna pregunta, comuníquese con el Servicio Técnico de Hougen Manufacturing al (810) 635-7111.

INSTALACIÓN DEL CORTADOR ANULAR HOUGEN EN EL ÁRBOL

1. Desconecte el taladro de la fuente de alimentación y retire la llave con mango en T del orificio de inserción que está situado en la parte superior de la herramienta.
2. Apoye el taladro sobre uno de los laterales, con las manijas de avance hacia arriba, o asegúrese de que el árbol no toque la mesa si la unidad se encuentra en la posición de funcionamiento normal.
3. Gire las manijas de avance hasta que los tornillos prisioneros de montaje del cortador anular queden a la vista, y retire los tornillos.
4. Inserte el piloto adecuado en el extremo del vástago del cortador anular Hougen.
5. Inserte el cortador anular Hougen hasta que la cara plana del vástago esté alineada con los orificios de los tornillos prisioneros y quede totalmente perpendicular al eje de los orificios de los tornillos prisioneros.
6. Coloque los tornillos prisioneros y apriételos. Compruebe que el cortador anular esté firmemente sujeto.



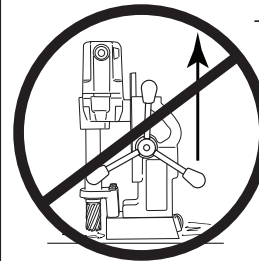
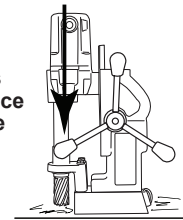
INSTRUCCIONES DE FUNCIONAMIENTO

Siempre recuerde que la fuerza de atracción del imán está directamente relacionada con el grosor de la pieza de trabajo y el estado de la superficie. Dado que la atracción magnética disminuye con materiales más delgados o superficies desiguales, se debe sujetar el taladro a la pieza de trabajo mecánicamente para cortar materiales finos (de un grosor de 3/8" o menos) o sobre superficies desparejas.

1. Asegúrese de que la pieza de trabajo y la parte inferior del imán no contengan virutas, aceite, etc.
2. Coloque el taladro en la posición correcta: deslícelo y mueva el árbol suavemente hasta que el punto del piloto toque el centro del orificio que se perforará. (vea luce indicador de interruptor de seguridad seccion, página 5)
3. Posicione la perforación deslizando y suavemente alimentando el árbol para que la punta del piloto esté tocando el centro de donde el agujero será.
4. **Sujete la unidad a la pieza de trabajo con la cadena de seguridad.**
5. Presione el interruptor de encendido del imán.
6. Gire la manija de avance para elevar el cortador anular hasta que el piloto quede encima de la superficie de trabajo.
7. Llene el depósito de refrigerante o la botella de refrigerante adjunta, según corresponda.
8. Cerciórese de que el cortador anular no esté en contacto con la pieza de trabajo y presione el interruptor de arranque del motor para encenderlo.
9. Mueva el cortador anular Hougen lentamente en dirección a la pieza de trabajo. Solo deberá aplicar plena fuerza en las manijas de avance una vez que la trayectoria de perforación haya quedado establecida a una profundidad de 1/16", aproximadamente.
10. Disminuya la presión de avance cuando el cortador anular esté a punto de atravesar la pieza de trabajo.
11. Una vez terminado el corte, presione el interruptor de parada del motor para apagarlo. Gire las manijas de avance para levantar el árbol y expulsar así el bocado central sólido, si aún no se soltó.
12. Presione el interruptor de apagado del imán.
13. **Desconecte el taladro de la fuente de alimentación.**
14. De ser necesario, retire las virutas del cortador anular y del imán, preferentemente con guantes de cuero y/o tenazas. Desconecte la cadena de seguridad para mover la unidad a otra posición de perforación.

Cuando perforando, especialmente horizontalmente o sobre la cabeza, siempre aplique presión hacia la superficie de trabajo. Nunca jale lejos de la superficie de trabajo como esto puede debilitar la potencia de sujeción del imán

Use manijas para mover hacia superficie de trabajo



Nunca jale las manijas lejos de la superficie de trabajo

RPM RECOMENDADAS PARA EL MODELO HMD905

450 RPM

7/16" - 1" (12 mm - 25 mm) de diámetro

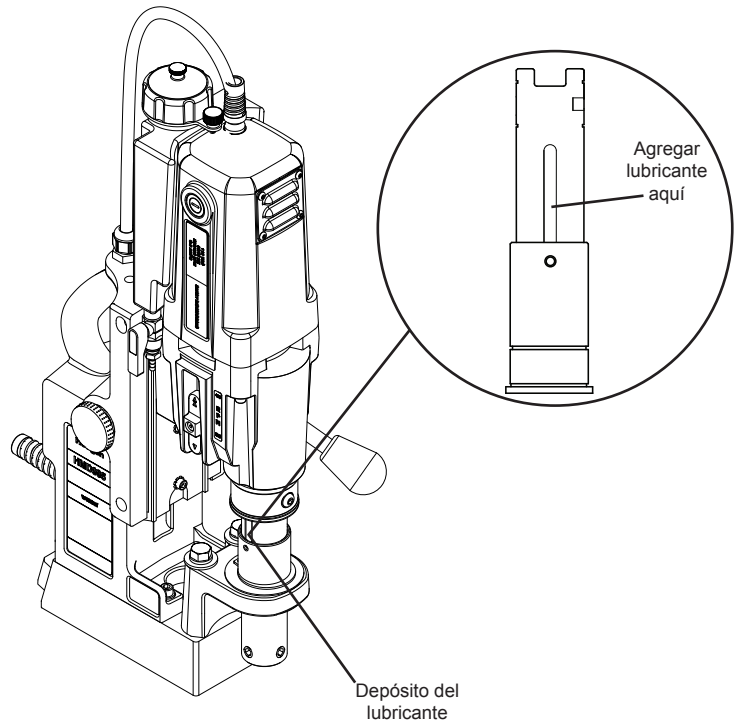
250 RPM

1-1/16" - 1-5/8" (27mm - 41mm) de diámetro

Las recomendaciones de RPM se basan en el uso del taladro HMD905 con cortadores anulares Hougen de acero de alta velocidad (H.S.S.) de la "serie 12.000". Los valores de RPM no representan velocidades óptimas para cualquier diámetro de cortador anular y aplicación. Para obtener más información, consulte la calculadora de avance y velocidad de Hougen en Hougen.com, o llame al 1-800-426-7818 para comunicarse con el soporte técnico.

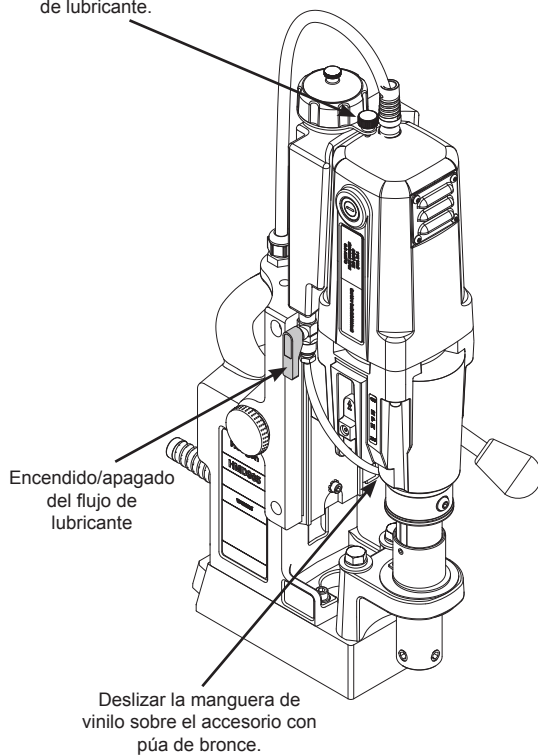
FUNCIONAMIENTO DEL DEPÓSITO DE LUBRICANTE PARA CORTE

1. Con el taladro magnético en la posición de funcionamiento, gire las manijas de avance de modo que el cortador anular y el piloto queden encima de la superficie de trabajo.
2. Con el imán encendido y el motor apagado, llene el depósito introduciendo el lubricante para corte a través de las ranuras del árbol. **El lubricante para corte no debe filtrarse.**
3. Pruebe la capacidad del conjunto del árbol/cortador anular/piloto (con el imán encendido y el motor apagado) moviendo el árbol suavemente hacia la superficie de trabajo hasta que el piloto encastre en el cortador anular, lo que permitirá que el lubricante se filtre a la superficie de trabajo a través de la ranura del piloto.
4. Para que la lubricación sea correcta, todo el lubricante que contiene el depósito debe vaciarse sobre la superficie de trabajo en no menos de 15 segundos y no más de 30.
5. El depósito contiene suficiente lubricante para perforar un orificio aproximadamente.
* Este método de utilizar lubricante también puede usarse para un recipiente de lubricante adjunto en caso de extravío del recipiente.
6. Para perforar orificios en posición horizontal o invertida, use lubricante Slick-Stik.



CONJUNTO DEL RECIPIENTE DE LUBRICANTE

Sujetar el recipiente de lubricante.



07950 Conjunto de recipiente de lubricante

| N.º de pieza | Descripción |
|--------------|--|
| 08255 | Recipiente circular |
| 08061 | Escuadra de soporte del recipiente de lubricante (fijación del recipiente a la escuadra) |
| 41044 | Tornillo BHC n.º 10-32 x 3/8 |
| 05065 | Válvula de bola |
| 05067 | Accesorio con púa de bronce (parte inferior del recipiente) |
| 40304 | Manguera de vinilo |
| 07080 | Accesorio de bronce (conecta la manguera de vinilo al inductor de lubricante) |
| 24124 | Tapa de recipiente de lubricante |

TALADRO DE BASE MAGNÉTICA HMD905



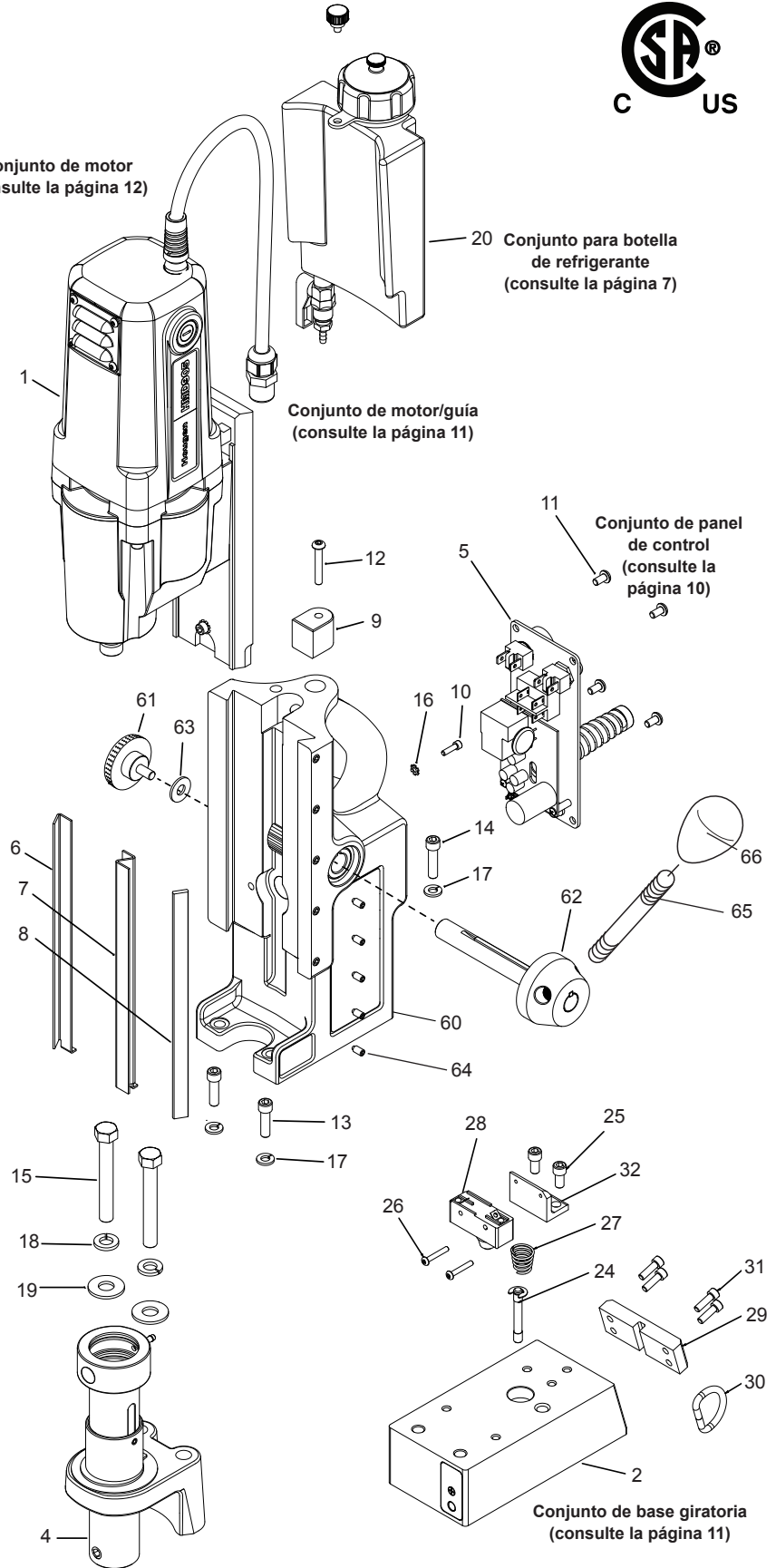
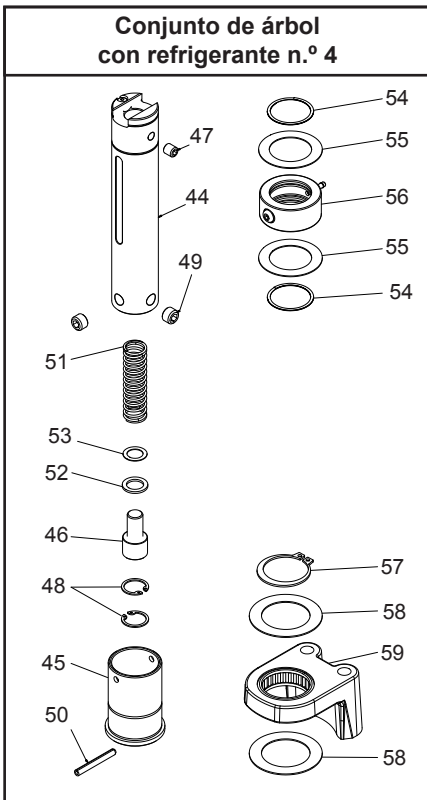
Conjunto de motor
(consulte la página 12)

20 Conjunto para botella
de refrigerante
(consulte la página 7)

Conjunto de motor/guía
(consulte la página 11)

11 Conjunto de panel
de control
(consulte la página 10)

Conjunto de árbol
con refrigerante n.º 4



Conjunto de base giratoria
(consulte la página 11)

| Despieces del modelo HMD905 | | | |
|-----------------------------|--------------|---|-------|
| Art. | N.º de pieza | Descripción | Cant. |
| 1 | 07948 | Conjunto de motor/guía | 1 |
| 4 | 07831 | Conjunto de árbol con refrigerante sin base giratoria | 1 |
| | 08115 | Conjunto de árbol con refrigerante y base giratoria | 1 |
| 5 | 08251 | Panel de control | 1 |
| 6 | 02429 | Retenedor de bronce, lado derecho | 1 |
| 7 | 02430 | Retenedor de bronce, lado izquierdo | 1 |
| 8 | 02431 | Retenedor de acero | 1 |
| 9 | 07833 | Bloque de detención | 1 |
| 10 | 17002 | Tornillo SHC n.º 6-32 x 1/2 de largo | 1 |
| 11 | 41044 | Tornillo BHC n.º 10-32 x 3/8 de largo | 4 |
| 12 | 10559 | Tornillo BHC n.º 10-32 x 1-1/4 de largo | 1 |
| 13 | 10553 | Tornillo SHC de 1/4-20 x 7/8 de largo | 2 |
| 14 | 40077 | Tornillo SHC de 1/4-20 x 1" de largo | 1 |
| 15 | 40594 | Perno hexagonal de 3/8-24 x 2-3/4 de largo, modelo no giratorio | 2 |
| | 01598 | Pernos giratorios FSB | 2 |
| 16 | 90052 | Arandela de seguridad externa n.º 6 | 1 |
| 17 | 90028 | Arandela de seguridad helicoidal de 1/4 | 3 |
| 18 | 40391 | Arandela de seguridad helicoidal de 3/8 | 2 |
| 19 | 40392 | Arandela plana de 3/8 tipo A | 2 |
| 20 | 07950 | Conjunto para botella de refrigerante | 1 |
| Accesorios incluidos | | | |
| | 10565 | Llave hexagonal de 1/8 | 1 |
| | 90724 | Cadena de seguridad de 3/16 x 5' con mosquetón | 1 |
| 65 | 10569 | Manijas de avance | 3 |
| 66 | 04532 | Perillas de las manijas de avance | 3 |
| | 08077 | Maletín de transporte con etiqueta | 1 |
| | 24166 | Llave hexagonal de 7/32" para árbol | 1 |

| Conjunto de imán 07882 | | | |
|------------------------|--------------|--|-------|
| Art. | N.º de pieza | Descripción | Cant. |
| 2 | 07861 | Imán | 1 |
| 24 | 04910 | Conjunto de émbolo | 1 |
| 25 | 10971 | Tornillo SHC n.º 1/4-20 x 1/2" de largo | 2 |
| 26 | 10972 | Tornillo BHC N.º 6-32 x 7/8" de largo | 2 |
| 27 | 17271 | Tornillo autorroscante de compresión | 1 |
| 28 | 04885 | Conjunto del microinterruptor | 1 |
| 29 | 07887 | Placa de anillo de retención | 1 |
| 30 | 24144 | Anillo en D | 1 |
| 31 | 41046 | Tornillo SHC n.º 10-32 x 1/2" de largo | 4 |
| 32 | 04909 | Escuadra de soporte del interruptor de seguridad | 1 |

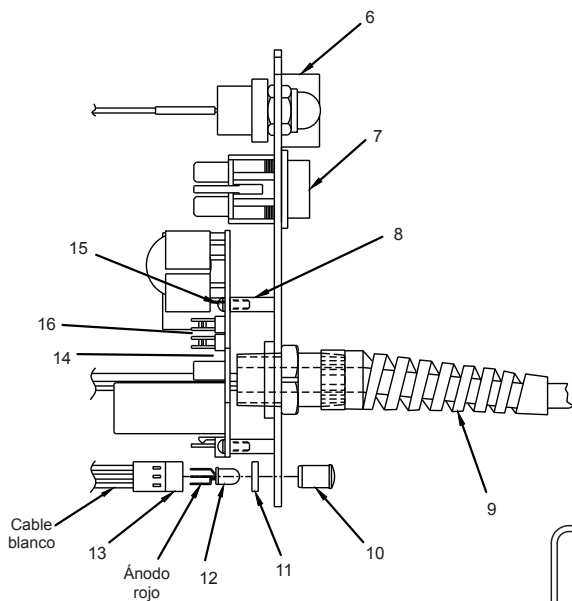
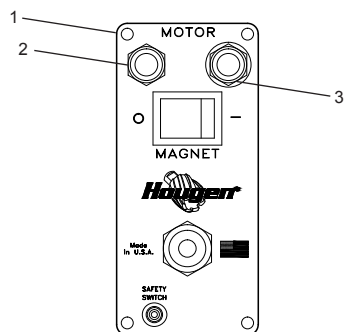
Conjunto de base giratoria (consulte la página 11)

| Conjunto de árbol y soporte frontal 07831 | | | |
|---|--------------|--|-------|
| Art. | N.º de pieza | Descripción | Cant. |
| 44 | 07872 | Cuerpo del árbol | 1 |
| 45 | 07162 | Collarín expulsor | 1 |
| 46 | 07079 | Asiento de resorte | 1 |
| 47 | 40256 | Tornillo prisionero oval de 5/16-18 x 3/8 | 1 |
| 48 | 10517 | Anillo, retención interna | 2 |
| 49 | 40222 | Tornillo prisionero de 7/16-14 x 0,305 | 2 |
| 50 | 40312 | Perno de rodillo de 3/16 de diám. x 1,564 modificado | 1 |
| 51 | 05049 | Resorte de compresión | 1 |
| 52 | 07436 | Arandela de caucho | 1 |
| 53 | 07440 | Suplemento de arandela de 12 mm x 18 mm x 0,5 mm | 1 |
| 54 | 40302 | Anillo de retención | 2 |
| 55 | 40301 | Arandela de empuje de 1-3/8 x 2-1/16 x 1/32 | 2 |
| 56 | 07445 | Inductor de refrigerante | 1 |
| | 40300 | Anillo tórico (no se ilustra) | 1 |
| | 07447 | Adaptador para manguera (no se ilustra) | 1 |
| | 07082 | Tornillo BHC n.º 1/4-28 x 1/4 (no se ilustra) | 1 |
| 57 | 40398 | Anillo de retención | 1 |
| 58 | 40234 | Arandela de empuje | 2 |
| 59 | 07870 | Conjunto de escuadra de soporte delantera | 1 |
| | 09731 | Conjunto de escuadra de soporte delantera giratorio | |

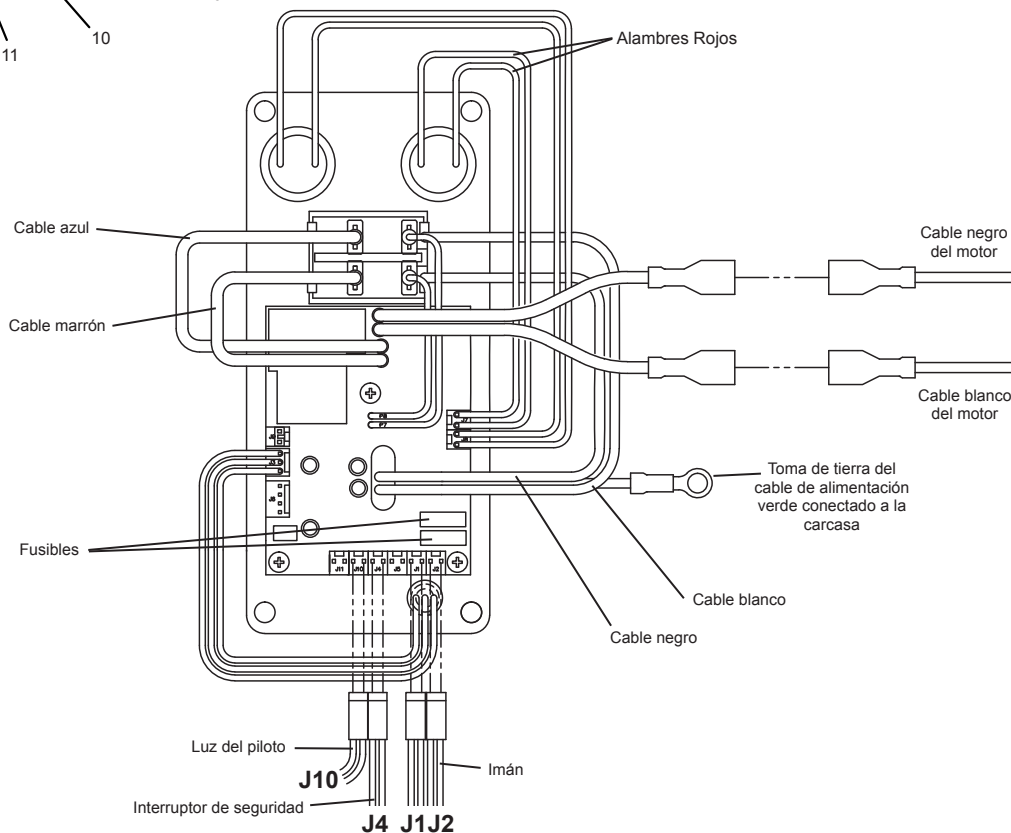
| Conjunto de árbol y soporte frontal 08115 | | | |
|---|--------------|--|-------|
| Art. | N.º de pieza | Descripción | Cant. |
| 44 | 07872 | Cuerpo del árbol | 1 |
| 45 | 07162 | Collarín expulsor | 1 |
| 46 | 07079 | Asiento de resorte | 1 |
| 47 | 40256 | Tornillo prisionero oval de 5/16-18 x 3/8 | 1 |
| 48 | 10517 | Anillo, retención interna | 2 |
| 49 | 40222 | Tornillo prisionero de 7/16-14 x 0,305 | 2 |
| 50 | 40312 | Perno de rodillo de 3/16 de diám. x 1,564 modificado | 1 |
| 51 | 05049 | Resorte de compresión | 1 |
| 52 | 07436 | Arandela de caucho | 1 |
| 53 | 07440 | Suplemento de arandela de 12 mm x 18 mm x 0,5 mm | 1 |
| 54 | 40302 | Anillo de retención | 2 |
| 55 | 40301 | Arandela de empuje de 1-3/8 x 2-1/16 x 1/32 | 2 |
| 56 | 07445 | Inductor de refrigerante | 1 |
| | 40300 | Anillo tórico (no se ilustra) | 1 |
| | 07447 | Adaptador para manguera (no se ilustra) | 1 |
| | 07082 | Tornillo BHC n.º 1/4-28 x 1/4 (no se ilustra) | 1 |
| 57 | 40398 | Anillo de retención | 1 |
| 58 | 40234 | Arandela de empuje | 2 |
| 59 | 08113 | Conjunto de escuadra de soporte delantera | 1 |
| | 09731 | Conjunto de escuadra de soporte delantera giratorio | |

| Conjunto de carcasa 08384 | | | |
|---------------------------|--------------|---------------------------------|-------|
| Art. | N.º de pieza | Descripción | Cant. |
| 60 | 07993 | Conjunto de carcasa del taladro | 1 |
| 61 | 05839 | Perilla ergonómica de caucho | 1 |
| 62 | 40254 | Conjunto central | 1 |
| 63 | 10679 | Arandela plana de 1/4 tipo A | 1 |
| 64 | 40237 | Tornillos del retenedor | 5 |

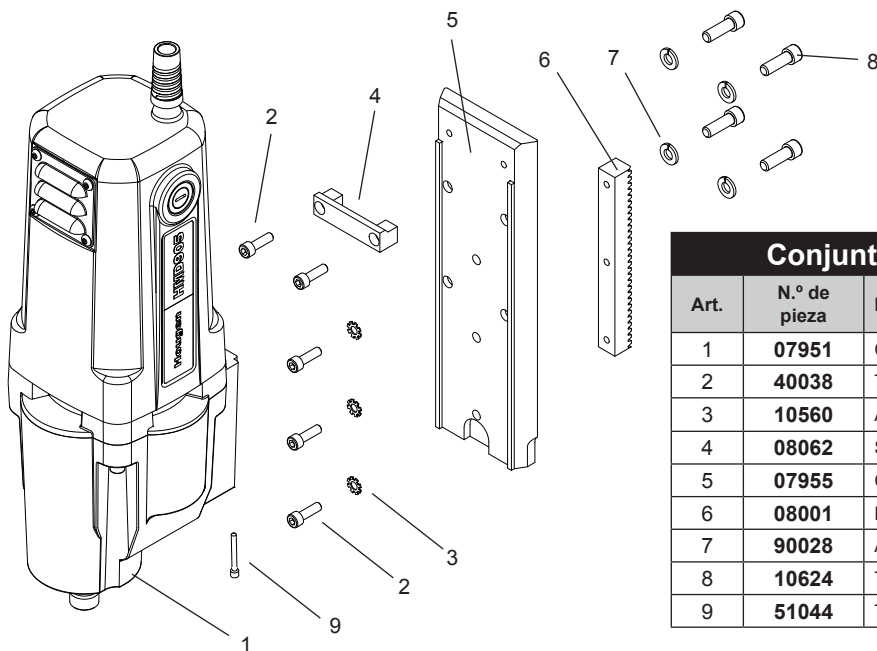
CABLEADO Y DESPIECE DEL PANEL DE CONTROL



| Conjunto de panel 07889 | | | |
|-------------------------|--------------|------------------------------------|-------|
| Art. | N.º de pieza | Descripción | Cant. |
| 1 | 07011 | Placa frontal | 1 |
| 2 | 01335 | Interruptor de apagado del motor | 1 |
| 3 | 01334 | Interruptor de encendido del motor | 1 |
| 6 | 01226 | Protector del interruptor | 1 |
| 7 | 04614 | Interruptor del imán | 1 |
| 8 | 02548 | Soporte separador | 3 |
| 9 | 24073 | Conjunto de cable de alimentación | 1 |
| 10 | 04879 | Lente transparente LED | 1 |
| 11 | 04878 | Separador LED | 1 |
| 12 | 04881 | Bombilla de LED | 1 |
| 13 | 04877 | Cableado del LED | 1 |
| 14 | 08646 | Tarjeta de circuitos | 1 |
| 15 | 02547 | Tornillo n.º 4-40 x 5/16 de largo | 3 |
| 16 | 07522 | Fusible | 2 |



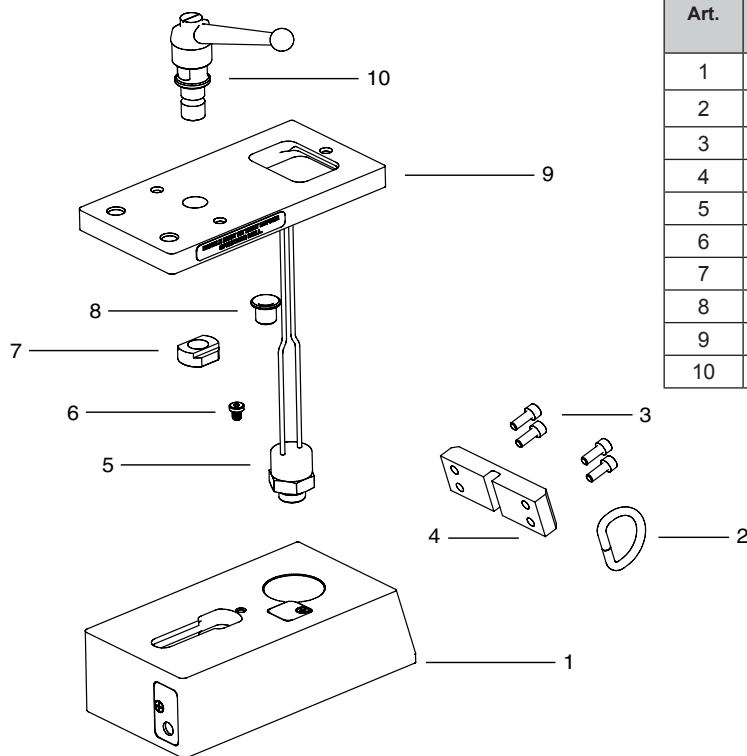
DESPIECE DEL CONJUNTO DE LA GUÍA DEL MOTOR



Conjunto de motor y guía 07948

| Art. | N.º de pieza | Descripción | Cant. |
|------|--------------|---|-------|
| 1 | 07951 | Conjunto completo de motor | 1 |
| 2 | 40038 | Tornillo BHC n.º 10-32 x 5/8 de largo | 5 |
| 3 | 10560 | Arandela de seguridad externa n.º 10 | 3 |
| 4 | 08062 | Soporte de fijación de la botella | 1 |
| 5 | 07955 | Cola de milano deslizante | 1 |
| 6 | 08001 | Engranaje de la cremallera | 1 |
| 7 | 90028 | Arandela de seguridad helicoidal de 1/4 | 4 |
| 8 | 10624 | Tornillo SHC de 1/4-20 x 3/4 | 4 |
| 9 | 51044 | Tornillo SHC n.º 1-32 x 1-1/4 | 1 |

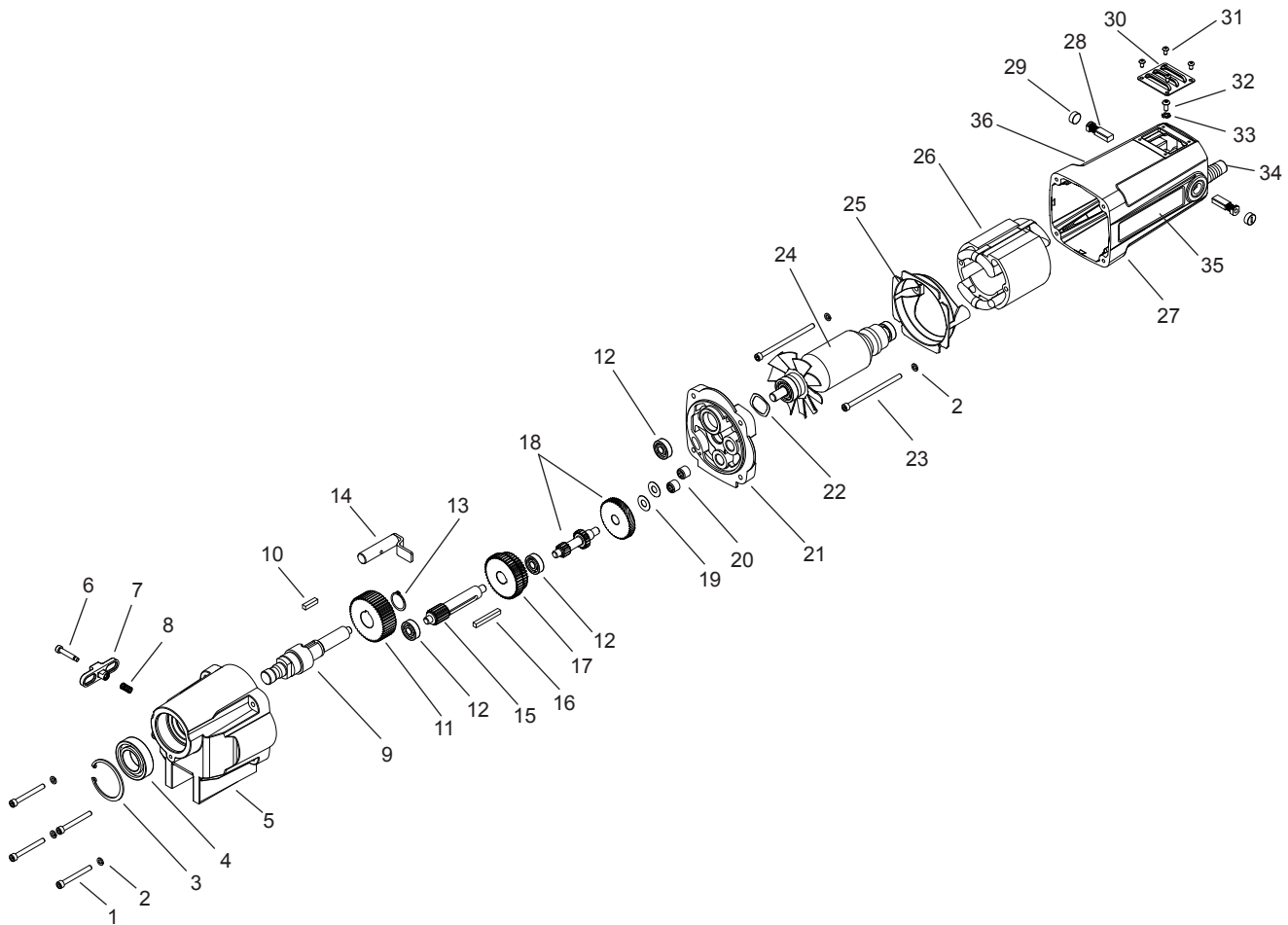
DESPIECE DEL CONJUNTO DE BASE GIRATORIA IMANTADA



Conjunto de base giratoria imantada 09728

| Art. | N.º de pieza | Descripción | Cant. |
|------|--------------|--|-------|
| 1 | 09725 | Montaje Magnético Giratorio 120V | 1 |
| 2 | 24144 | Anillo - "D" x 1" de ancho | 1 |
| 3 | 41046 | Tornillo SHC n.º 10-32 x 1/2 | 4 |
| 4 | 07887 | Placa - Anillo de retención | 1 |
| 5 | 05652 | Conjunto de interruptor de seguridad | 1 |
| 6 | 09727 | Tornillo SHC 10-32 x 1/4 | 1 |
| 7 | 09721 | Tuerca - TEE 1/2 - 18 LH TND DBL PLOMO | 1 |
| 8 | 07215 | Buje de Brida | 1 |
| 9 | 09722 | Placa Carcasa Giratoria | 1 |
| 10 | 09729 | Asa de abrazadera de montaje | 1 |

DIAGRAMA DE PIEZAS DEL MOTOR



Conjunto de motor 07952

| Art. | N.º de pieza | Descripción | Cant. | Art. | N.º de pieza | Descripción | Cant. |
|------|--------------|--|-------|------|--------------|---|-------|
| 1 | 08234 | Tornillo SHC n.º 10-32 x 1-5/8 de largo | 4 | 21 | 07969 | Cubierta de caja de engranajes | 1 |
| 2 | 50038 | Arandela de seguridad helicoidal n.º 10 | 6 | 22 | 08070 | Arandela de resorte | 1 |
| 3 | 07860 | Anillo de retención | 1 | 23 | 08025 | Tornillo SHC n.º 10-32 x 3-1/4 de largo | 2 |
| 4 | 40274 | Cojinete de 25 mm x 47 mm x 12 mm | 1 | 24 | 07956 | Conjunto de armadura | 1 |
| 5 | 07966 | Carcasa de caja de engranajes | 1 | 25 | 07958 | Deflector | 1 |
| 6 | 08069 | Tornillo SHSLD de 3/16 x 7/8 | 1 | 26 | 07957 | Campo 115V | 1 |
| 7 | 07908 | Interruptor | 1 | 27 | 07953 | Conjunto de portaescobillas/motor | 1 |
| 8 | 07910 | Resorte de compresión | 1 | 28 | 07961 | Escobillas de carbón | 2 |
| 9 | 07976 | Husillo de salida del motor | 1 | 29 | 07960 | Tapa del portaescobillas | 2 |
| 10 | 07904 | Cuña - 3/16 x 3/16 x 3/4 | 1 | 30 | 07848 | Cubierta, acceso a las escobillas | 1 |
| 11 | 07975 | Engranaje recto extraíble, 49 dientes | 1 | 31 | 02385 | Tornillo BHC n.º 6-32 x 1/4 | 4 |
| 12 | 24100 | Cojinete de bolas | 3 | 32 | 41042 | Tornillo BHC n.º 8-32 x 3/8 de largo | 1 |
| 13 | 24160 | Anillo de retención | 1 | 33 | 10538 | Arandela de seguridad n.º 8 | 1 |
| 14 | 07977 | Brazo del vástago del control de cambio | 1 | 34 | 08336 | Cable del motor | 1 |
| 15 | 07974 | Engranaje recto extraíble, 15 dientes | 1 | 35 | 07936 | Etiqueta del motor | 1 |
| 16 | 07978 | Cuña - 3/16 x 3/16 x 1-1/2 | 1 | 36 | 07937 | Etiqueta de especificaciones del motor | 1 |
| 17 | 07973 | Conjunto de engranaje de cambio de velocidad 250/450 | 1 | | | | |
| 18 | 07972 | Conjunto de engranaje n.º 2 y n.º 3 | 1 | | | | |
| 19 | 17610 | Arandela plana de 8 mm | 2 | | | | |
| 20 | 07903 | Cojinete de agujas | 2 | | | | |

MANTENIMIENTO

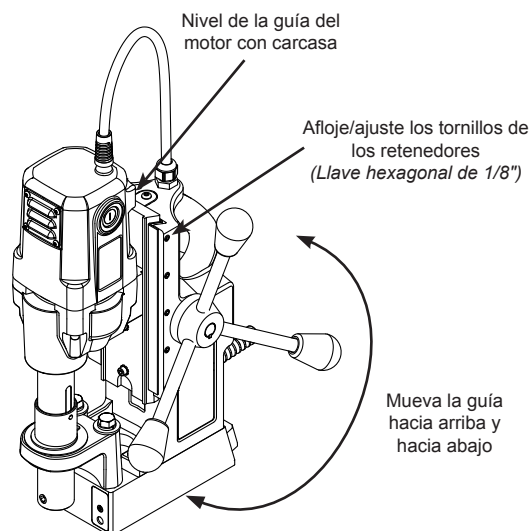
Para minimizar el desgaste de las piezas móviles, asegurarse de que el taladro magnético funcione sin problemas y prolongar su vida útil, se debe realizar el siguiente procedimiento de mantenimiento periódicamente, según el uso.

1. Ocúpese regularmente de apretar todos los sujetadores y reemplazar las piezas gastadas.
2. Revise las escobillas del motor y reemplácelas si están gastadas.
3. Revise el cable de alimentación y el cable que conecta el panel con el motor. Si están agrietados o pelados, llévelos a un centro de reparación para reemplazarlos.
4. Aplique grasa en las colas de milano deslizantes, los retenedores de bronce y la cremallera del engranaje de avance. Para obtener mejores resultados, utilice el lubricante Cyprina-RA de Shell u otro similar.
5. Retire el árbol (*ver la desinstalación del árbol en la página 14*) y aplique grasa en el cojinete de la escuadra de soporte delantera. Utilice el lubricante Cyprina-RA de Shell u otro similar.
6. El embolo de seguridad siempre debe estar limpio y periódicamente lubricado con aceite de penetración. Si necesario quite el imán del taladro y saque el conjunto del interruptor de seguridad del imán. Embuje el embolo afuera del imán. Limpie suciedad de lo adentro a alrededor del agujero del embolo en el imán. Cubrir el embolo con antiadherente. Reemplace el embolo en el conjunto de interruptor de seguridad y ajuste los tornillos. Recoloque el imán al cuerpo del taladro.

AJUSTE DE LOS RETENEDORES

1. Revise los retenedores del árbol regularmente para asegurarse de que estén ajustados. Apriételos según sea necesario.
2. Afloje todos los tornillos de los retenedores.
3. Mueva el taladro hacia abajo y hacia arriba varias veces, y luego, con la parte superior de la guía del motor alineada con la parte superior de la carcasa, apriete los tornillos del retenedor hasta que sienta que tocan el retenedor de acero.
4. Vuelva a mover el taladro hacia abajo y hacia arriba nuevamente.
5. Ajuste los tornillos de los retenedores de modo que la presión sea uniforme de arriba a abajo. (La parte superior de la guía del motor debe estar alineada con la parte superior de la carcasa).
6. Apriete los tornillos de los retenedores girándolos 1/8 o 1/4 de vuelta, según prefiera.
7. Los retenedores deben estar lo suficientemente ajustados para que la guía se mueva hacia arriba y hacia abajo con facilidad, sin oscilar ni sacudirse. (Si los retenedores están flojos, se romperá el cortador anular).

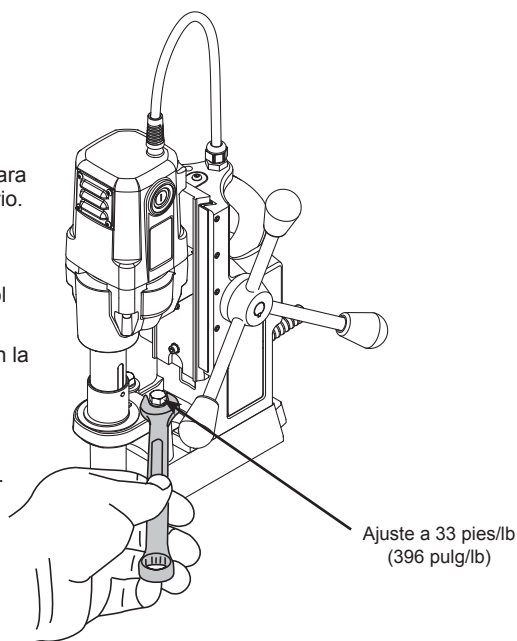
NOTA: *lubrique los retenedores periódicamente.*



AJUSTE DEL ÁRBOL

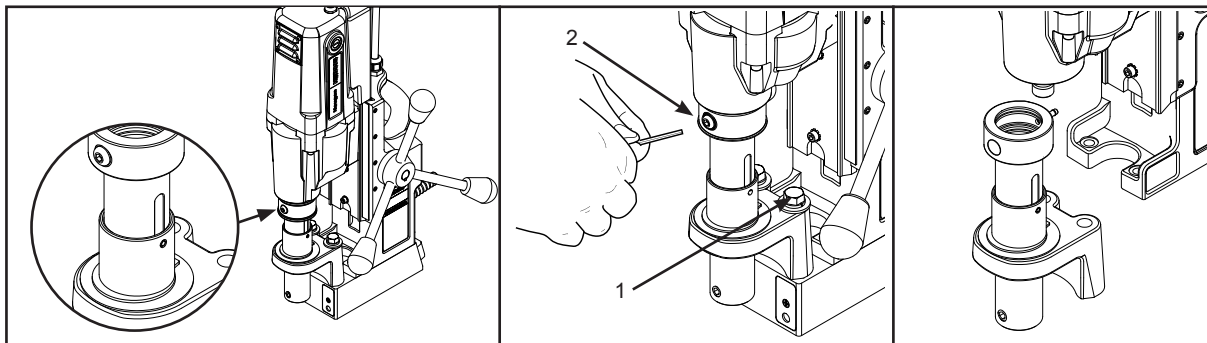
Ajuste los retenedores antes de ajustar la escuadra de soporte delantera.

1. La escuadra de soporte del árbol puede aflojarse con el tiempo. Revise los pernos del soporte de fijación del árbol regularmente para asegurarse de que estén ajustados. Apriételos según sea necesario.
2. Afloje los pernos de la escuadra de soporte del árbol.
3. Asegúrese de que la parte superior del árbol esté alineada con el reborde del eje de salida del motor. Controle, además, que el árbol esté firmemente ajustado.
4. Gire la manija de avance hasta que el motor y el husillo queden en la parte inferior de su recorrido.
5. Apriete los pernos del soporte de fijación del árbol.
6. Mueva la guía hacia arriba y hacia abajo varias veces para asegurarse de que se desplace uniformemente, sin obstrucciones.



DESINSTALACIÓN E INSTALACIÓN DEL ÁRBOL Y LA ESCUADRA DE SOPORTE DELANTERA

Árbol con refrigerante



Desinstalación

1. Afloje los pernos de la escuadra de soporte del árbol.
2. Quite el tornillo del inductor de refrigerante. Gire el árbol hasta que el tornillo del árbol esté alineado con el orificio.
3. Afloje el tornillo prisionero que sujeta el árbol al eje de salida del motor.
4. Retire el árbol.

Instalación

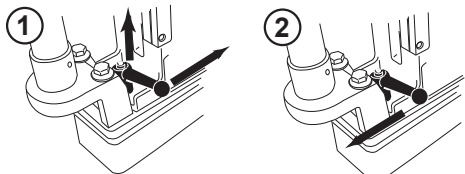
1. Apriete manualmente los pernos de la escuadra de soporte delantera. No los ajuste hasta el tope.
2. Deslice el árbol completamente hacia arriba y manténgalo en esa posición por encima del eje de salida del motor con una unidad ranurada.
3. Apriete el tornillo prisionero para sujetar el árbol al eje de salida del motor.
4. Reemplace el tornillo del inductor de refrigerante.
5. Gire la manija de avance hasta que el motor y el árbol queden en la parte inferior de su recorrido.
6. Apriete los pernos de la escuadra de soporte delantera a 400 in/lb.
7. Haga funcionar el motor durante 10 segundos. (Si observa que el árbol se mueve, repita el procedimiento desde el paso 1).
8. Vuelva a controlar que los tornillos prisioneros del árbol estén apretados.

AJUSTES A BASE MOBILE

Las roscas en el conjunto de mango de sujeción son un significado zurdo hilo, girando en sentido horario sería aflojar el montaje y girando en sentido antihorario se apriete el montaje. El asa de sujeción está cargado de primavera, por lo que tendrá que levantar y girar todo el conjunto del mango de sujeción cuando el reposicio namiento como si fuera a ser una unidad de trinquete.

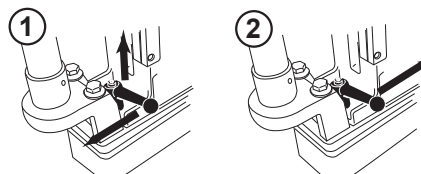
Para Aflojar el ensamble de la Base Mobile

1. Levante la manija de Ajuste y dele vuelta hacia la izquierda (en dirección de contra-reloj) y bájela. Ese movimiento reposicionará la Manija para movimiento adicional.
2. Con la Manija ya en posición baja, hale de la Manija hacia la derecha (en dirección de como-reloj)
3. Si se requiere movimiento adicional, levante la Manija y dele vuelta a izquierda (en dirección de contra-reloj) y luego suéltela.
4. Hale la Manija hacia la derecha (en dirección de como-reloj) nuevamente. Esta cantidad de movimiento debería de ser adecuado para reposicionar el ensamble del taladro Movimiento adicional a ese podría causar que el ensamble del imán se separe del ensamble de la base del taladro.



Para apertar el Ensamble de la Base Mobil.

1. Levante la Manija de Ajuste y dele vuelta a hacia la derecha (en dirección de como-reloj) y bájela. Ese movimiento reposicionará la manija para movimiento adicional.
2. Con la Manija ya en posición baja, dele vuelta hacia la izquierda (en dirección de contra-reloj)
3. Si se requiere movimiento adicional, levante la Manija y dele vuelta a la derecha (en dirección de como-reloj) y luego suéltela.
4. Empuje la Manija de ajuste del ensamble hacia la izquierda (en dirección de contra-reloj) nuevamente. Continúe ese proceso hasta que el ensamble quede apretado.



AVISO:

La Manija de ajuste debe de estar apretada antes de perforar - de otra manera puede ocurrir dano al equipo o heridas al operario

CONSEJOS PARA UN MEJOR FUNCIONAMIENTO

1. Mantenga el interior del cortador Hougen libre de virutas; ya que estas interferirán en la profundidad máxima del corte, podrían obstaculizar el flujo de lubricante y hacer que se rompa el cortador.
2. Asegúrese de que la pieza de trabajo, la máquina, el árbol y el cortador Hougen permanezcan limpios y sin virutas.
3. Apriete todos los pernos y sujetadores regularmente.
4. Recomendamos utilizar un lubricante para corte liviano, de baja viscosidad (preferentemente, lubricante para corte Hougen).
5. Revise ocasionalmente el nivel de lubricante para corte. La falta de lubricante para corte podría hacer que el cortador Hougen se congele durante la perforación, se atasque el bocado central sólido y se reduzca la vida útil del cortador.
6. Siempre comience el corte aplicando poca presión de avance, para luego ir incrementándola gradualmente hasta lograr la máxima velocidad de corte.
7. Reduzca la presión cuando el cortador anular esté a punto de atravesar la pieza, al finalizar el corte.
8. Asegúrese de que las colas de milano deslizantes, los retenedores de bronce y la cremallera de avance estén siempre lubricados, limpios y sin virutas.
9. Si el bocado central sólido cuelga del cortador anular, apague el motor y apoye el cortador anular sobre una superficie plana. Normalmente, esto hace que el bocado central sólido ladeado se enderece y sea expulsado.
10. Al realizar perforaciones de grandes diámetros u orificios profundos, posiblemente sea necesario detenerse en la mitad del procedimiento a fin de agregar lubricante para corte y retirar las virutas del área del árbol. (Cuando lo haga, **NO** levante el cortador anular para retirarlo del orificio, ya que podrían ingresar virutas debajo de los dientes del cortador anular y esto hará difícil el reinicio del corte).

La causa principal de desgaste prematuro de los cortadores anulares es insuficiente presión durante el corte.

Si no aplica suficiente presión al cortador anular durante la operación de corte, se reducirá la vida útil de la herramienta.

SOLUCIONES PARA LOS PROBLEMAS EN LAS PERFORACIONES

1. Problema: La base magnética no se adhiere firmemente al material.

- a. Causa: Hay virutas o suciedad debajo del imán.
Solución: Limpie las virutas y la suciedad del área.
- b. Causa: Superficie irregular de la parte inferior del imán o la pieza de trabajo.
Solución: Pule un poco la superficie de la parte inferior del imán y/o lime las imperfecciones de la superficie de trabajo según sea necesario.

2. Problema: El cortador anular tiende a moverse sobre la superficie de trabajo.

- a. Causa: La base magnética no se adhiere firmemente.
Solución: Consulte las causas y soluciones detalladas en el paso n.º 1 anterior.
- b. Causa: Se aplica una presión de avance excesiva al comienzo de la perforación.
Solución: Aplique poca presión hasta cortar una ranura. La ranura actuará como estabilizador.
- c. Causa: Piloto desgastado.
Solución: Reemplace el piloto.
- d. Causa: Cortador anular gastado.
Solución: Reemplace o vuelva a afilar el cortador anular.

3. Problema: Defectos de circularidad en los orificios.

- a. Causa: El cojinete de la escuadra de soporte del árbol y/o el collarín expulsor están gastados.
Solución: Reemplace el cojinete y/o el collarín (solo se permiten unas pocas milésimas de desgaste).
- b. Causa: Escuadra de soporte mal alineada.
Solución: Vuelva a alinear la escuadra de soporte.
- c. Causa: El tornillo prisionero del árbol está mal alineado o flojo.
Solución: Ajuste el tornillo prisionero.

4. Problema: El motor y la guía no se mantienen en su posición.

- a. Causa: Los retenedores están demasiado flojos.
Solución: Ajuste los retenedores.

5. Problema: El avance es irregular o intermitente.

- a. Causa: El piñón o la cremallera están gastados.
Solución: Reemplace las piezas gastadas.

6. Problema: El motor no se enciende al presionar el botón de arranque.

- a. Causa: El imán está apagado.
Solución: Presione el botón de encendido del imán.
- b. Causa: El imán se encuentra sobre una superficie de trabajo desigual o sucia y el interruptor de seguridad no está completamente presionado.
Solución: Lime la superficie de trabajo para emparejarla y limpie todas las virutas y el aceite debajo del imán.
- c. Causa: No hay corriente eléctrica.
Solución: Revise la fuente de alimentación y los prolongadores.
- d. Causa: Las escobillas del motor están gastadas.
Solución: Reemplace las escobillas.
- e. Causa: Falla el interruptor de arranque del motor.
Solución: Lleve la unidad a un centro de reparación autorizado para que reemplacen el interruptor.

NOTA: si ha realizado estos procedimientos y el problema persiste, no intente operar el taladro. Devuelva la unidad a la fábrica o llévela a un centro de reparación autorizado para que la reparen.

GARANTÍA COMERCIAL E INDUSTRIAL LIMITADA

Hougen Manufacturing, Inc. garantiza sus taladros magnéticos portátiles, taladros de riel Trak-Star, sierra de carril hidráulica y agitadores de pintura Tornado II durante dos (2) años, perforadoras electrohidráulicas por un (1) año, y Husqvarna Saw y otros productos por noventa (90) días a partir de la fecha de compra contra defectos debidos a materiales defectuosos o mano de obra y repararán o reemplazarán (a nuestra opción) sin cargo alguno por los artículos devueltos. Esta garantía quedará anulada si el artículo ha sufrido daños por accidente o uso no razonable, negligencia, mantenimiento inapropiado u otras causas no vinculadas a los defectos de fabricación o de los materiales. No se otorga ni se autoriza ninguna otra garantía expresa. Hougen Manufacturing, Inc. niega la existencia de cualquier garantía implícita de comercialización o idoneidad por cualquier período que exceda la vigencia de la garantía expresa y no será responsable por daños incidentales ni contingentes. En Estados Unidos, algunos estados no permiten la exclusión de daños incidentales o contingentes ni la limitación del período de vigencia de una garantía implícita; por lo tanto, si usted realiza la compra en un estado que posee leyes de esas características, es posible que no esté sujeto a la exclusión y limitación antedichas. Esta garantía le confiere derechos legales específicos, pero usted podría gozar de otros derechos conforme a las normas vigentes en el estado donde reside.

Para acceder al servicio de reparación cubierto por la garantía, deberá devolver los artículos con franqueo pagado al centro de reparación que esté autorizado por la fábrica y cubierto por la garantía, o bien a Hougen Manufacturing, Inc., 3001 Hougen Drive, Swartz Creek, Michigan 48473.

La garantía de los taladros Hougen solo cubre los defectos de fabricación, y estos deben ser verificados a través de una inspección a cargo de Hougen Manufacturing.

ESTA GARANTÍA REEMPLAZA CUALQUIER OTRA GARANTÍA EXPRESA O IMPLÍCITA, INCLUIDA TODA GARANTÍA DE COMERCIALIZACIÓN O IDONEIDAD PARA UN FIN DETERMINADO.

Las fotografías y especificaciones que aquí se incluyen reflejan con total exactitud los detalles del producto a la fecha de publicación de este manual. El fabricante se reserva el derecho de realizar mejoras y modificaciones sin previo aviso. Hougen, Rotabroach y Hougen-Edge son marcas comerciales patentadas de Hougen Manufacturing, Inc.

CENTROS DE REPARACIÓN CUBIERTOS POR LA GARANTÍA Y AUTORIZADOS POR HOUGEN

En los centros de reparación cubiertos por la garantía y autorizados por Hougen hay personal capacitado en fábrica para mantener y reparar de manera adecuada los taladros magnéticos portátiles de Hougen. Para conocer cuál es el Centro de reparación cubierto por la garantía y autorizado más cercano, visite:

www.hougen.com



Hougen Manufacturing, Inc.
3001 Hougen Drive • Swartz Creek, MI 48473
Phone (810) 635-7111
www.hougen.com • info@hougen.com
© 2024 Hougen Manufacturing, Inc.



Hougen[®]

Español

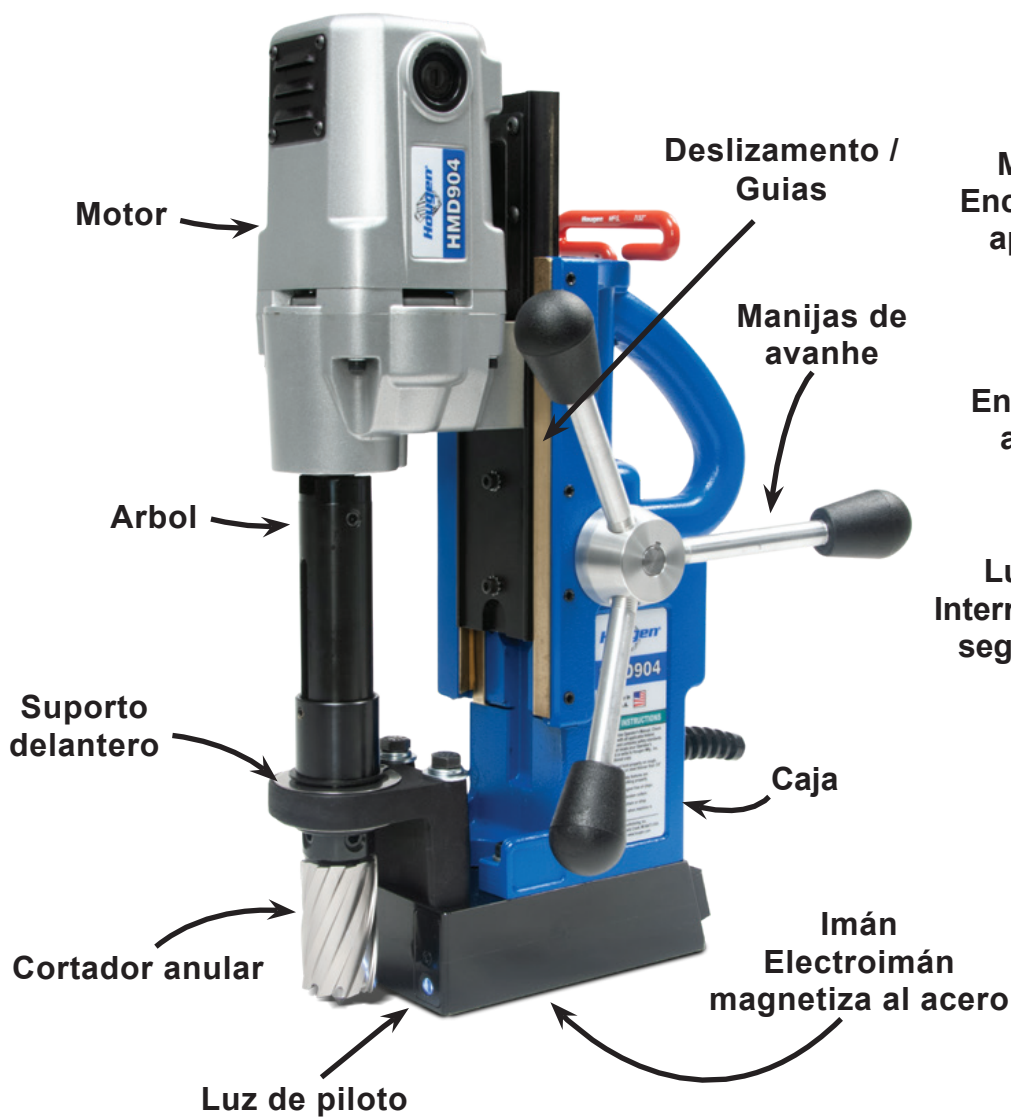
OPERACIÓN SEGURA PARA TALADROS MAGNÉTICOS

*Una guía general de
procedimiento para
operación segura*



**LA SEGURIDAD
ANTE TODO**

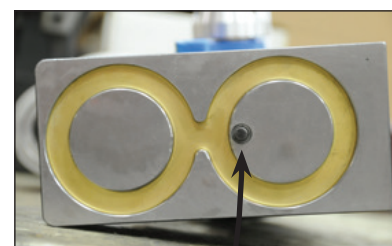
PARTES GENERALES



Panel de control típico



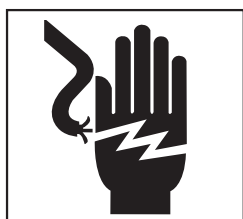
Fondo del imán



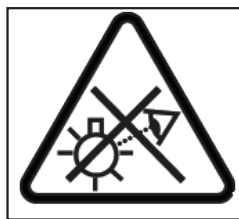
LA SEGURIDAD ANTE TODO



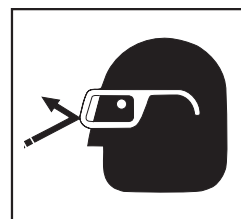
Los cortadores anulares son filosos. Utilice guantes para instalar o sacar el cortador anular del árbol. No agarre un cortador anular en movimiento.



Para evitar descargas eléctricas, no utilice herramientas motorizadas cerca de áreas que se encuentren mojadas o donde las herramientas puedan mojarse.



No mire fijamente a la luz de funcionamiento.



Siempre utilice protección ocular al manejar herramientas de corte o cuando se encuentre cerca del área de corte.



El bocado central sólido se expulsa al finalizar el corte. No deje que el cortador anular o el árbol apunten hacia ningún lugar donde el bocado central sólido, una vez expulsado, pueda golpear a alguien que se encuentre cerca o debajo de usted.

Un taladro magnético puede ser una herramienta muy útil para creando agujeros. Por favor lea y siga todas las procedimientos indicados en su manual de operación y de acuerdo con la política de empresa.

INSTRUCCIONES IMPORTANTES PARA LA SEGURIDAD



ADVERTENCIA:

Lea todas las advertencias de seguridad, instrucciones, ilustraciones y especificaciones suministradas con esta herramienta motorizada. Hacer caso omiso de las siguientes instrucciones puede ocasionar descargas eléctricas, incendios y/o lesiones físicas graves.

1. Seguridad en el área de trabajo

- Mantenga el área de trabajo limpia y bien iluminada. Si hay demasiados objetos o se trabaja en zonas oscuras, habrá mayor riesgo de accidentes.
- No opere herramientas motorizadas donde haya riesgo de explosión (por ejemplo, en presencia de líquidos, gases o polvos inflamables). Las herramientas motorizadas generan chispas que pueden encender el polvo o los gases.
- Asegúrese de que no haya niños ni otras personas cerca de la zona donde esté utilizando la herramienta motorizada. Las distracciones pueden hacer que pierda el control de la máquina.

2. Seguridad eléctrica

- Los enchufes de la herramienta motorizada deben corresponder a los tomacorrientes. No realice ninguna modificación al enchufe. No utilice enchufes adaptadores con herramientas motorizadas conectadas a tierra. Los enchufes sin modificar y que correspondan a los tomacorrientes reducen el riesgo de descargas eléctricas.
- Evite el contacto físico con superficies conectadas a tierra, como tuberías, radiadores, cocinas y refrigeradores. El riesgo de recibir una descarga eléctrica será mayor si su cuerpo está haciendo conexión a tierra.
- No exponga la herramienta motorizada a la lluvia o a condiciones de humedad. El ingreso de agua en una herramienta motorizada aumentará el riesgo de descargas eléctricas.
- No maltrate el cable. Nunca utilice el cable para transportar o desconectar la herramienta motorizada. Mantenga el cable alejado del calor, el aceite, los bordes filosos y las piezas móviles. Los cables dañados o enredados aumentan el riesgo de descargas eléctricas.
- Si planea utilizar una herramienta motorizada al aire libre, utilice un cable de extensión adecuado para uso en exteriores. Utilizar un cable adecuado para uso en exteriores reduce el riesgo de descargas eléctricas.
- Si no puede evitarse el uso de la herramienta motorizada en un lugar húmedo, es necesario utilizar una fuente de alimentación protegida con un dispositivo de corriente residual (RCD). Utilizar un RCD reduce el riesgo de descargas eléctricas.

3. Seguridad personal

- Preste atención a lo que hace y obre con sentido común al utilizar una herramienta motorizada. No use la herramienta motorizada si está cansado o se encuentra bajo los efectos de drogas, alcohol o medicamentos. Una leve distracción durante el manejo de una herramienta motorizada podría ocasionar lesiones físicas graves.
- Use los equipos de protección personal. Siempre debe usar protección ocular. La utilización de los equipos de protección personal, como máscara antipolvo, calzado de seguridad antideslizante, casco o protección auditiva, cuando sean necesarios, reduce las lesiones físicas.

- Evite que la herramienta arranque accidentalmente. Asegúrese de que el interruptor esté en la posición de apagado antes de conectar la fuente de alimentación y/o el paquete de baterías, y de levantar o transportar la herramienta. Si transporta herramientas motorizadas con el dedo sobre el interruptor o las enchufa con el interruptor activado, puede producirse un accidente.
- Retire cualquier cuña o llave de ajuste antes de encender la herramienta motorizada. Si una llave o cuña quedan sujetas a una pieza giratoria de la herramienta motorizada, pueden producirse lesiones físicas.
- No intente realizar movimientos forzados. Mantenga la estabilidad y el equilibrio en todo momento. Esto permite un mejor control de la herramienta motorizada en una situación inesperada.
- Use la vestimenta adecuada. No utilice ropa suelta ni alhajas. Mantenga el cabello y la ropa alejados de las piezas en movimiento. La ropa suelta, las alhajas y el cabello largo pueden quedar atrapados en las piezas en movimiento.
- Si se proporcionan dispositivos para conectar elementos para la extracción y recolección de polvo, asegúrese de que se conecten y usen correctamente. El uso de elementos para la recolección de polvo puede reducir los riesgos relacionados con el polvo.
- No deje que la confianza que se adquiere por el uso frecuente de la herramienta le haga disminuir la atención que debe tener e ignore los principios de seguridad de la herramienta. Una acción descuidada puede causar lesiones graves en una fracción de segundo.
- Siempre utilice la cadena de seguridad. El montaje puede desprenderse.

4. Uso y cuidado de la herramienta motorizada

- No fuerce la herramienta motorizada. Utilice la herramienta motorizada adecuada para el trabajo. La herramienta motorizada correcta funciona mejor y más rápido si se utiliza a la velocidad prevista.
- No utilice la herramienta motorizada si el interruptor no la enciende ni la apaga. Las herramientas motorizadas que no pueden controlarse con el interruptor son peligrosas y deben repararse.
- Desconecte el enchufe de la fuente de alimentación y/o retire el paquete de baterías, si es desmontable, de la herramienta motorizada antes de realizar cualquier ajuste, cambiar accesorios o almacenar la herramienta motorizada. Estas medidas preventivas reducirán el riesgo de que la herramienta se encienda accidentalmente.
(Continúa en la página 4)

Guarde todas las advertencias e instrucciones para consultas futuras.



INSTRUCCIONES IMPORTANTES PARA LA SEGURIDAD

- d) Guarde las herramientas motorizadas que no utilice fuera del alcance de los niños y no permita que personas no familiarizadas con la herramienta motorizada o con estas instrucciones pongan en funcionamiento la herramienta motorizada. *Las herramientas motorizadas son peligrosas en manos de usuarios no capacitados.*
- e) Haga mantenimiento a las herramientas motorizadas y a los accesorios. Controle que las piezas en movimiento no estén desalineadas o atascadas, que no haya piezas rotas ni ninguna otra condición que pueda afectar el funcionamiento de la herramienta motorizada. Si hay piezas dañadas, haga reparar la herramienta motorizada antes de utilizarla. *Muchos accidentes se producen por el uso de herramientas motorizadas en mal estado.*
- f) Asegúrese de que las herramientas de corte estén siempre afiladas y limpias. *Las herramientas de corte que se mantienen en buen estado, con los bordes de corte afilados, son menos propensas a trabarse y más fáciles de controlar.*
- g) Utilice la herramienta motorizada, los accesorios, las brocas, etc. de acuerdo con las instrucciones, teniendo en cuenta las condiciones de trabajo y el trabajo a realizar. *La utilización de la herramienta motorizada para tareas diferentes a las previstas puede resultar en situaciones de riesgo.*
- h) Mantenga los mangos y superficies de agarre limpios y sin aceite ni grasa. *Las superficies de agarre y los mangos resbalosos no permiten un agarre seguro ni controlar la herramienta en situaciones inesperadas.*

5. Mantenimiento

- a) El mantenimiento de su herramienta motorizada debe realizarlo personal de reparación calificado, utilizando solo repuestos idénticos. *Esto permite garantizar la seguridad de la herramienta motorizada.*

INSTRUCCIONES ADICIONALES PARA LA SEGURIDAD

Conexión eléctrica segura

El taladro está preparado para funcionar con 115 VCA o 230 V a 50-60 Hz. No intente utilizar el taladro con fuentes de alimentación que tengan otras tensiones o frecuencias.

Enchufes y tomacorrientes



Modelo típico en EE. UU. para 115 V

Modelo típico en EE. UU. para 230 V

Enchufe tipo I de 230 V

Si las conexiones eléctricas están mojadas, habrá riesgo de descargas. A fin de evitar que el lubricante para corte se desplace a lo largo del cable y entre en contacto con el enchufe o tomacorriente, haga un lazo de goteo, como se ilustra a continuación. Además, eleve los cables de extensión o las conexiones de las cajas de distribución eléctrica.



Cables de extensión

Solo debe utilizar cables de extensión de 3 hilos que tengan enchufes de 3 clavijas con toma de tierra, y tomacorrientes de 3 polos que sean compatibles con el enchufe de la herramienta. Reemplace o repare los cables dañados. Asegúrese de que el conductor tenga la longitud necesaria para evitar una caída abrupta de la tensión, lo que provocaría un corte de la alimentación eléctrica y podría dañar el motor.

| LONGITUD DEL CABLE EN PIES | CALIBRE RECOMENDADO PARA EL CABLE | CALIBRE RECOMENDADO PARA EL CABLE |
|----------------------------|-----------------------------------|-----------------------------------|
| | MOTOR DE 115 V 10-12 A | MOTOR DE 230 V 5-6 A |
| Hasta 7,6 m (25') | 16 | 18 |
| 7,9-15,2 m (26-50') | 14 | 18 |
| 15,5-30,5 m (51-100') | 10 | 16 |
| 30,8-61,0 m (101-200') | 8 | 14 |
| 61,3-91,4 m (201-300') | 6 | 12 |
| 91,7-152,4 m (301-500') | 4 | 10 |

Uso de cables de extensión en exteriores

Si utiliza la herramienta en exteriores, solo debe utilizar cables de extensión identificados como aptos para uso en exteriores.

Otras medidas de seguridad

El árbol y el cortador anular no deben utilizarse como puntos de sujeción ni como manija. Mantenga las manos y la ropa alejadas de cualquier pieza en movimiento. No utilice los cortadores anulares Hougén en lugares donde el bocado central sólido pueda causar lesiones al ser expulsado (recuerde que el bocado central sólido sale expulsado al finalizar el corte). Además, respete todas las instrucciones de funcionamiento. No perforo superficies que puedan contener cables eléctricos con corriente. Si perfora un cable con corriente, es posible que las piezas metálicas expuestas del taladro queden cargadas eléctricamente. Retire las virutas acumuladas alrededor del cortador anular y del árbol después de cada perforación. Con el motor apagado y la alimentación desconectada, tome las virutas con un guante de cuero o tenazas y jálelas mientras las gira en sentido contrahorario. Si el cortador anular queda atascado en la pieza, detenga la unidad inmediatamente para evitar lesiones físicas. Desconecte el taladro de la fuente de alimentación y afloje el cortador anular atascado girando el árbol en sentido contrahorario. No intente darle arranque al motor para liberar el cortador anular atascado. Haga reparar la unidad en centros de reparación autorizados, exclusivamente.

Uso de la herramienta cerca de equipos de soldadura

NO ponga en funcionamiento esta unidad en la misma superficie de trabajo sobre la que se realizan soldaduras. Pueden producirse daños en la unidad, particularmente en el cable de alimentación. El operador también podría sufrir lesiones físicas.

Corta circuitos (si corresponde)

No se recomienda puentear el corta circuitos o cambiarlo por otro de un amperaje superior; si se hace, se invalidará la garantía del producto.

Funcionamiento del corta circuitos

(si corresponde)

El corta circuitos es del tipo térmico. Cuando alcanza el índice de temperatura más elevado, el corta circuitos se dispara y la unidad se apaga. Este es un dispositivo de protección que se puede restablecer después de un lapso de 5 a 10 minutos. Para restablecerlo, presione el botón del corta circuitos hacia adentro. Si no ocurre nada, deje que la unidad se enfríe un poco más hasta que, una vez oprimido el botón, este se mantenga en esa posición.

Guarde todas las advertencias e instrucciones para consultas futuras.

INSTRUCCIONES SOBRE LA CADENA DE SEGURIDAD

SIEMPRE que se ponga en funcionamiento el taladro, se debe utilizar una cadena de seguridad.

La cadena de seguridad evita que el taladro se caiga si se produce un corte del suministro eléctrico o si el imán se suelta de la superficie de trabajo. La cadena de seguridad se sujeta al taladro al pasar por el anillo en D en la parte posterior de la unidad y continuar alrededor del material y/o la superficie de trabajo. Ajuste la cadena hasta que quede firmemente sujeta.



FUNCIONAMIENTO DE LOS CONTROLES ANTES DE LA INSTALACIÓN DEL CORTADOR HOUGEN



PLACA DE INTERRUPTORES DEL PANEL DE CONTROL

IMPORTANTE: antes de encender la máquina, es importante que el operador sepa cómo interactúa el INTERRUPTOR DE SEGURIDAD con el INTERRUPTOR DEL IMÁN y los INTERRUPTORES DEL MOTOR. **LEA LAS INSTRUCCIONES DE LA LUZ INDICADORA DEL INTERRUPTOR DE SEGURIDAD.**

INTERRUPTOR DE SEGURIDAD: está ubicado en la base del taladro. Solo permitirá que el motor funcione cuando el imán esté correctamente asentado en una superficie de trabajo limpia y plana. Si detecta la separación de la unidad, este interruptor apagará el motor. (Vea página 2 ubicación de interruptor de seguridad)

INTERRUPTOR DE ENCENDIDO/APAGADO DEL IMÁN: activa y desactiva la base magnética y enciende el interruptor de seguridad. Una vez hecho esto, se puede presionar el interruptor de arranque del motor para encenderlo.

INTERRUPTORES DE ARRANQUE/PARADA DEL MOTOR: arrancan y detienen el motor.

1. Coloque el taladro magnético sobre una placa de acero limpia y plana, que tenga un grosor mínimo de 3/8".
2. Conecte la unidad a una fuente de alimentación de CA adecuada. **NO utilice el taladro con alimentación de CC.**
3. Localice el interruptor de encendido y apagado del imán y el interruptor de arranque y parada del motor.
4. **NOTA: todo corte de la alimentación eléctrica desactivará la base magnética y apagará el motor. Cuando se restablezca el suministro eléctrico, el imán volverá a activarse, pero el motor solo se encenderá si se presiona el interruptor de arranque.**

LUZ INDICADORA DEL INTERRUPTOR DE SEGURIDAD

**** LA LUZ DEL INTERRUPTOR DE SEGURIDAD SE ENCENDERÁ Y SE MANTENDRÁ ENCENDIDA MIENTRAS EL TALADRO PERMANECE ENCHUFADO ****

La luz indicadora del interruptor de seguridad es una característica de seguridad estándar en los taladros magnéticos portátiles de Hougen. Su función consiste en advertirle al usuario que se ha presentado una situación poco segura. Su objetivo es para informar al usuario que el interruptor detector de elevación está activo.

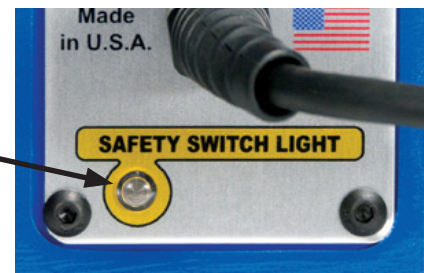
Si la luz es verde:

El interruptor de seguridad muestra una luz de color verde durante el funcionamiento normal. Los interruptores de "encendido" y "apagado" del motor funcionan normalmente.

Si la luz es roja:

Se ha producido un problema en el interruptor de seguridad que debe solucionarse. Causas posibles:

- El interruptor de seguridad tiene una falla. Haga reparar el taladro.
- La superficie o el material de trabajo son desiguales. Revise la superficie de trabajo para controlar que no sea irregular.
- Hay suciedad o virutas debajo del imán. Limpie la superficie de trabajo.



PLACA DE INTERRUPTORES DEL PANEL DE CONTROL

La prueba de un interruptor de seguridad:

Antes de operando el taladro siempre probar el interruptor de seguridad. Para probarlo... ponga el taladro sobre la superficie de trabajo y enchúfelo a un toma de corriente. Mueva el taladro para que el imán se levante del superficie de trabajo. La luce del interruptor de seguridad debe cambiarse de verde a rojo. Si la luz se queda verde o rojo un problema existe con el interruptor de seguridad que tiene que estar corregido. (Por ejemplo... el interruptor es defectuoso, el embolo de seguridad en la base del imán esta trancada en posición, etc) Por favor corrija en hace la prueba de nuevo antes de usar el taladro.

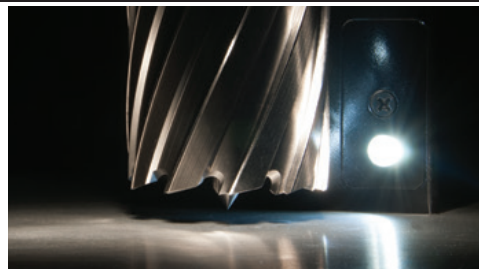
El material debe tener un grosor mínimo de 3/8". Si es más delgado, el "agarramiento" del imán disminuirá.

HOUGEN MANUFACTURING RECOMIENDA SOLUCIONAR ESTOS PROBLEMAS PARA QUE SE PONGA LA LUZ VERDE. ESTO INDICARÁ QUE LA UNIDAD FUNCIONA DE MANERA SEGURA.

Si desea formular alguna pregunta, comuníquese con el Servicio Técnico de Hougen Manufacturing al (810) 635-7111.

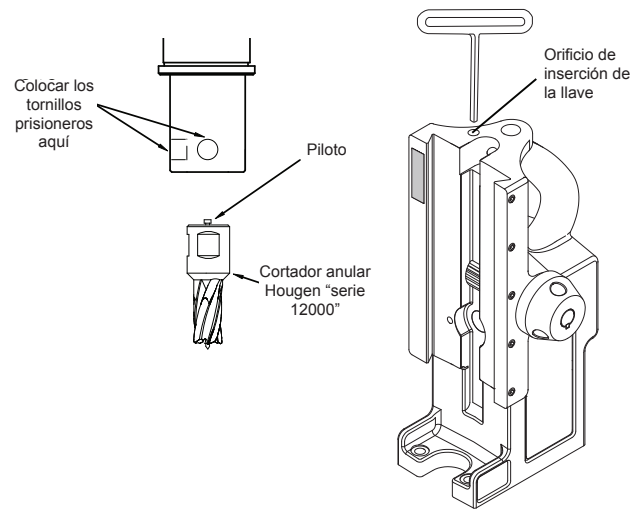
INTERRUPTOR DE LA LUZ DEL PILOTO

La luz del piloto es una característica estándar en los taladros magnéticos portátiles de Hougen. Su propósito es iluminar el área de la superficie de trabajo para facilitar la visualización del piloto.



INSTALACIÓN DEL CORTADOR ANULAR HOUGEN EN EL ÁRBOL

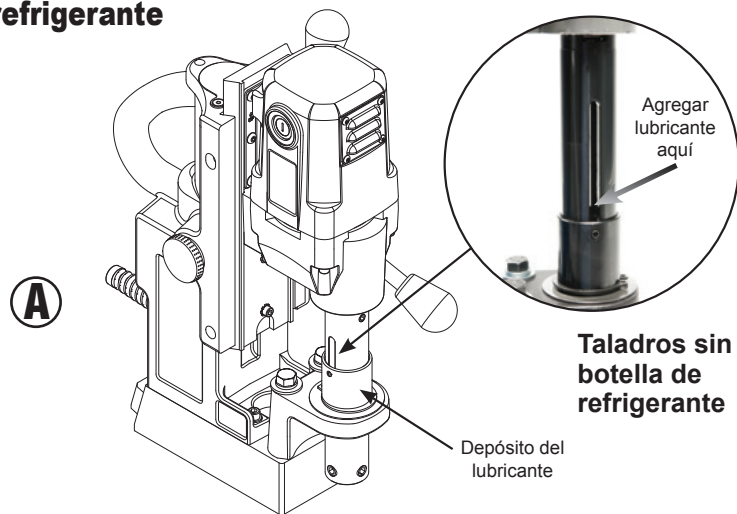
1. Desconecte el taladro de la fuente de alimentación y retire la llave con mango en T del orificio de inserción que está situado en la parte superior de la herramienta.
2. Apoye el taladro sobre uno de los laterales, con las manijas de avance hacia arriba, o asegúrese de que el árbol no toque la mesa si la unidad se encuentra en la posición de funcionamiento normal.
3. Gire las manijas de avance hasta que los tornillos prisioneros de montaje del cortador anular queden a la vista, y retire los tornillos.
4. Inserte el piloto adecuado en el extremo del vástago del cortador anular Hougen.
5. Inserte el cortador anular Hougen hasta que la cara plana del vástago esté alineada con los orificios de los tornillos prisioneros y quede totalmente perpendicular al eje de los orificios de los tornillos prisioneros.
6. Inserte los tornillos de retención y ajuste. Revise para asegurarse que el cortador está asegurado.



FUNCIONAMIENTO DEL DEPÓSITO DE LUBRICANTE PARA CORTE

Para resultados mejores siempre use refrigerante

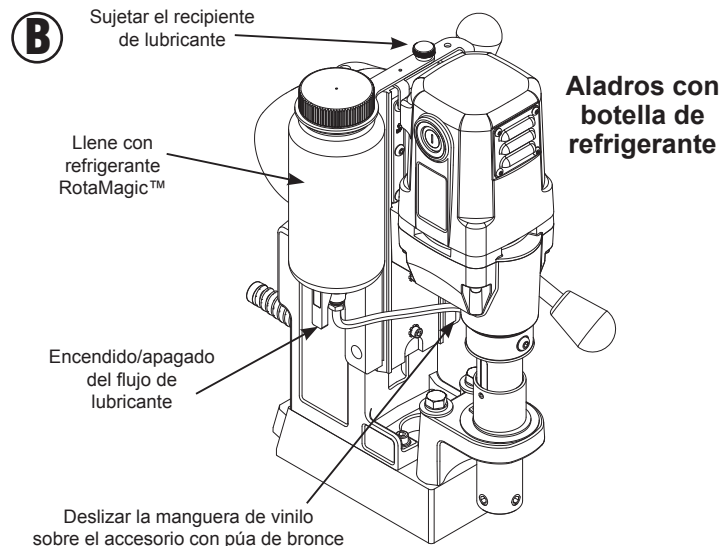
1. Con el taladro magnético in posición de operación, gire los mangos de alimentación para que el cortado y piloto estén sobre la superficie de trabajo.
2. Con el imán ENCENDIDO y el motor APAGADO
 - A) Para taladros sin botellas ... llene el deposito en el árbol mediante la introducción de líquido de corte ROTAMAGIC por los ranuras en el árbol. El REFRIGERANTE NO DEBE ESCAPARSE AFUERA.
 - B) Para taladros con botella de refrigerante... adjuntar botella como instruye diagrama y llene con refrigerante.
3. Prueba capacidades de medición del arbol/cortador/ piloto conjunto (imán INCENDIDO- motor APAGA DO) alimentando el árbol suavemente hacia a su perficie de trabajo hasta que el piloto esta empujado en el cortador, así permitiendo que el líquido salga hacia la superficie de trabajo por la ranura en el piloto.



Taladros sin botella de refrigerante

Taladros sin botellas de refrigerante...

4. Para lubricación correcta, todo el líquido en el deposito debe vaciar afuera sobre la superficie de trabajo en nada menos de 15 segundos y no más rápido de 30 segundos.
5. El deposito en el árbol agarra suficiente refrigerante para cortando aproximadamente un agujero .
* Este metido de usando el refrigerante también se puede usar si la botella se pierde.
6. Para taladros con botella de refrigerante usa la palanca de encendido/apagado para ajustar la corriente de refrigerante
7. Para perforaciones horizontal o encima la cabeza use Slick-Stick™ lubricante.



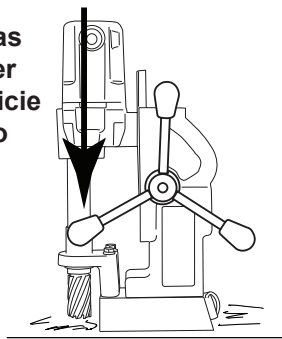
INSTRUCCIONES DE OPERACIÓN

Siempre recuerde que la fuerza de atracción del imán está directamente relacionada con el grosor de la pieza de trabajo y el estado de la superficie. Dado que la atracción magnética disminuye con materiales más delgados o superficies desiguales, se debe sujetar el taladro a la pieza de trabajo mecánicamente para cortar materiales finos (de un grosor de 3/8" o menos) o sobre superficies desparejas.

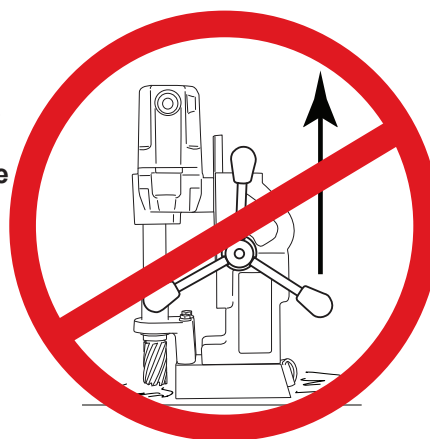
1. Asegúrese de que la pieza de trabajo y la parte inferior del imán no contengan virutas, aceite, etc.
2. Verifique interruptor de seguridad trabaja correctamente (vea luce indicador de interruptor de seguridad sección).
3. Posición la perforación deslizando y suavemente alimentando el árbol para que la punta del piloto está tocando el centro de donde el agujero ser.
4. **Sujete la unidad a la pieza de trabajo con la cadena de seguridad.**
5. Presione el interruptor de encendido del imán.
6. Gire la manija de avance para elevar el cortador anular hasta que el piloto quede encima de la superficie de trabajo.
7. Llene el depósito de refrigerante o la botella de refrigerante adjunta, según corresponda.
8. Cerciórese de que el cortador anular no esté en contacto con la pieza de trabajo y presione el interruptor de arranque del motor para encenderlo.
9. Mueva el cortador anular Hougen lentamente en dirección a la pieza de trabajo. Solo deberá aplicar plena fuerza en las manijas de avance una vez que la trayectoria de perforación haya quedado establecida a una profundidad de 1/16", aproximadamente.
10. **Disminuya la presión de avance** cuando el cortador anular esté a punto de atravesar la pieza de trabajo.
11. Una vez terminado el corte, presione el interruptor de parada del motor para apagarlo. Gire las manijas de avance para levantar el árbol y expulsar así el bocado central sólido, si aún no se soltó.
12. Presione el interruptor de apagado del imán.
13. **Desconecte el taladro de la fuente de alimentación.**
14. De ser necesario, retire las virutas del cortador anular y del imán, preferentemente con guantes de cuero y/o tenazas. Desconecte la cadena de seguridad para mover la unidad a otra posición de perforación.

Cuando perforando, especialmente horizontalmente o sobre la cabeza, siempre aplique presión hacia la superficie de trabajo. Nunca jale lejos de la superficie de trabajo como esto puede debilitar la potencia de sujeción del imán.

Use manijas para mover hacia superficie de trabajo



Nunca jale las manijas lejos de la superficie de trabajo



MANTENIMIENTO

Para minimizar el desgaste de las piezas móviles, asegurarse de que el taladro magnético funcione sin problemas y prolongar su vida útil, se debe realizar el siguiente procedimiento de mantenimiento periódicamente, según el uso.

1. Ocupe regularmente de apretar todos los sujetadores y reemplazar las piezas gastadas.
2. Revise las escobillas del motor y reemplácelas si están gastadas.
3. Revise el cable de alimentación y el cable que conecta el panel con el motor. Si están agrietados o pelados, llévelos a un centro de reparación para reemplazarlos.
4. Aplique grasa en las colas de milano deslizantes, los retenedores de bronce y la cremallera del engranaje de avance. Para obtener mejores resultados, utilice el lubricante Cyprina-RA de Shell u otro similar.
5. Retire el árbol y aplique grasa en el cojinete de la escuadra de soporte delantera. Utilice el lubricante Cyprina-RA de Shell u otro similar.
6. El embolo de seguridad siempre debe estar limpio y periódicamente lubricado con aceite de penetración. Si necesario quite el imán del taladro y saque el conjunto del interruptor de seguridad del imán. Empuje el embolo afuera del imán. Limpie suciedad de lo adentro a alrededor del agujero del embolo en el imán. Cubrir el embolo con antiadherente. Reemplace el embolo en el conjunto de interruptor de seguridad y ajuste los tornillos. Recolecte el imán al cuerpo del taladro.



CONSEJOS PARA UN MEJOR FUNCIONAMIENTO

1. Mantenga el interior del cortador Hougen libre de virutas; ya que estas interferirán en la profundidad máxima del corte, podrían obstaculizar el flujo de lubricante y hacer que se rompa el cortador.
2. Asegúrese de que la pieza de trabajo, la máquina, el árbol y el cortador Hougen permanezcan limpios y sin virutas.
3. Apriete todos los pernos y sujetadores regularmente.
4. Recomendamos utilizar un lubricante para corte liviano, de baja viscosidad (preferentemente, lubricante para corte Hougen).
5. Revise ocasionalmente el nivel de lubricante para corte. La falta de lubricante para corte podría hacer que el cortador Hougen se congele durante la perforación, se atasque el bocado central sólido y se reduzca la vida útil del cortador.
6. Siempre comience el corte aplicando poca presión de avance, para luego ir incrementándola gradualmente hasta lograr la máxima velocidad de corte.
7. Reduzca la presión cuando el cortador anular esté a punto de atravesar la pieza, al finalizar el corte.
8. Asegúrese de que las colas de milano deslizantes, los retenedores de bronce y la cremallera de avance estén siempre lubricados, limpios y sin virutas.
9. Si el bocado central sólido cuelga del cortador anular, apague el motor y apoye el cortador anular sobre una superficie plana. Normalmente, esto hace que el bocado central sólido ladeado se enderece y sea expulsado.
10. Al realizar perforaciones de grandes diámetros u orificios profundos, posiblemente sea necesario detenerse en la mitad del procedimiento a fin de agregar lubricante para corte y retirar las virutas del área del árbol. (Cuando lo haga, **NO** levante el cortador anular para retirarlo del orificio, ya que podrían ingresar virutas debajo de los dientes del cortador anular y esto hará difícil el reinicio del corte).

La causa principal de desgaste prematuro de los cortadores anulares es insuficiente presión durante el corte.

Si no aplica suficiente presión al cortador anular durante la operación de corte, se reducirá la vida útil de la herramienta.

***Cuando tengan duda,
llámanos... Estaremos
encantados de ayudarle!***

**(810) 635-7111
tech@hougen.com**

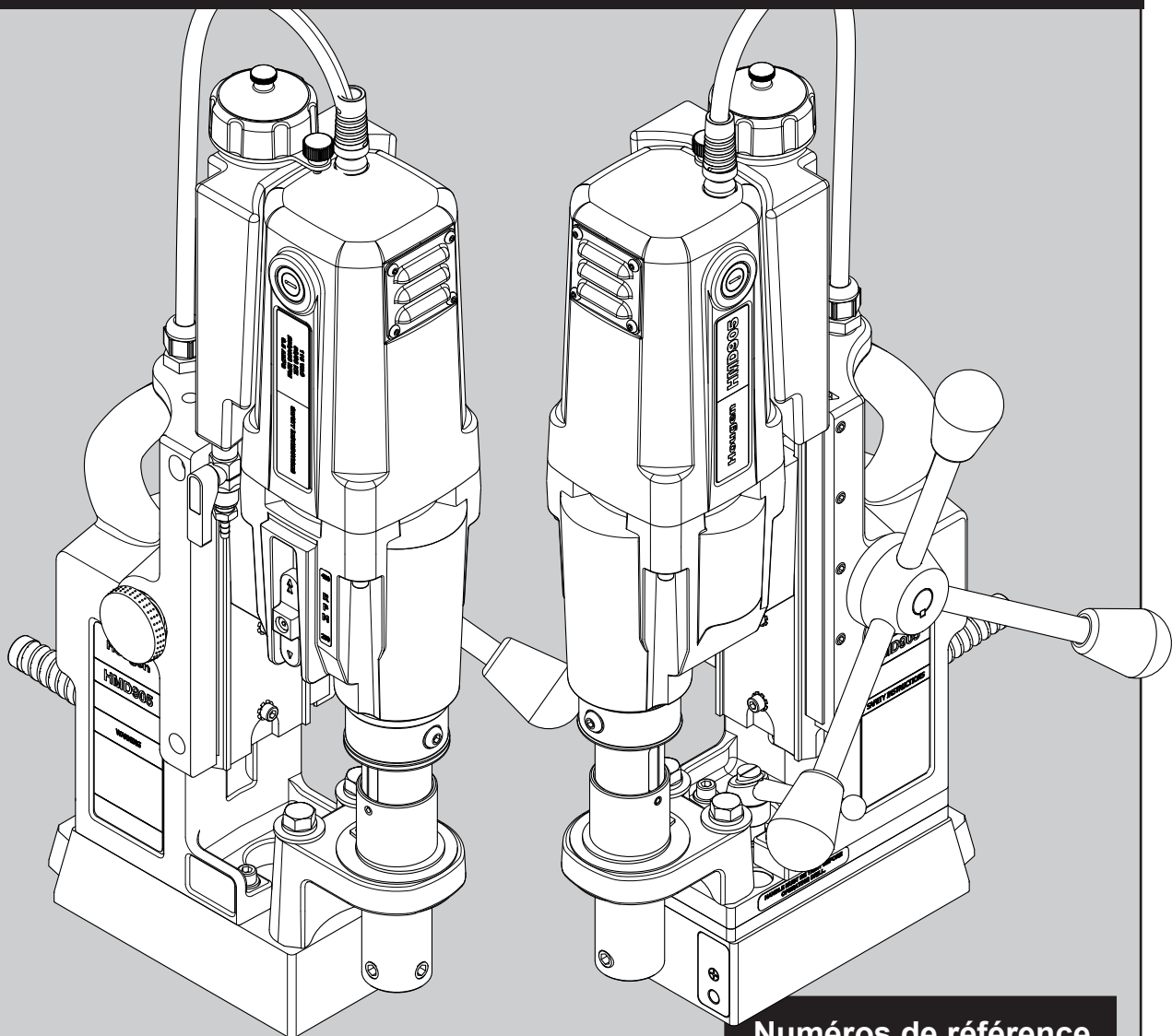


HOUGEN MANUFACTURING, INC.

3001 Hougen Drive • Swartz Creek, MI 48473 USA
Ph: (810) 635-7111 • Fax: (810) 635-8277
info@hougen.com • www.hougen.com

MANUEL D'UTILISATION

PERCEUSE MAGNÉTIQUE PORTATIVE SÉRIE HMD905



Numéros de référence
de perceuse :

| | |
|---------|---------|
| 0905102 | 0905105 |
| 0905104 | 0905109 |

Français

PERCEUSE MAGNÉTIQUE PORTATIVE HOUGEN®

MODÈLE SÉRIE HMD905

Bienvenue chez Hougen

Félicitations d'avoir acheté la perceuse magnétique portable Hougen®. Ce modèle est conçu pour percer rapidement et efficacement des trous d'une qualité supérieure. Grâce à son souci constant d'innovation et de développement, Hougen s'engage à fournir des outils de perçage et des produits permettant d'améliorer la productivité.

Avant d'essayer d'utiliser cette perceuse magnétique portable neuve, prière de lire d'abord toutes les instructions, qui comprennent le manuel d'utilisation et l'étiquette d'avertissement située sur l'unité elle-même. Utilisé et entretenu correctement, ce modèle offrira des années de perçage efficace et performant. Encore merci d'avoir choisi notre produit et bienvenue chez Hougen.

Caractéristiques techniques

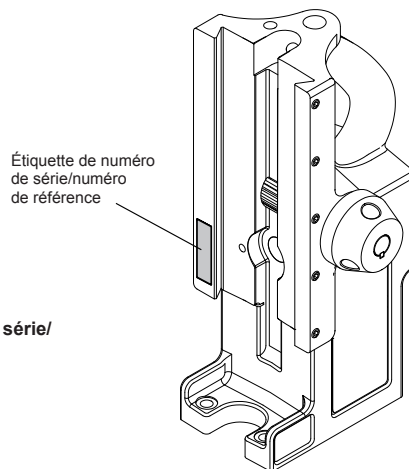
Type de fraise..... Hougen « série 12 000 » et Copperhead™ en carbure
 Diamètre de trou..... 12 à 50 mm (7/16" à 2")
 Profondeur de perçage..... 50 mm (2")
 Moteur 250 et 450 tr/min, 9 A
 Surface de pivotement..... 1-1/8" largeur x 1-3/8" longueur
 Poids net..... 15,9 kg (35 lb)
 Base pivotante : 13,8 kg (30,5 lb)

 Durée de fonctionnement approuvée: 2 minutes "ON", 3 minutes "OFF"

La HMD905 est proposée en de nombreuses versions. Se reporter à l'étiquette de numéro de série/numéro de référence sur le boîtier pour trouver la description détaillée appropriée.

Numéro de référence

0905102 HMD905
 0905104 Base pivotante HMD905



DÉBALLAGE DE LA PERCEUSE MAGNÉTIQUE NEUVE

- Ouvrir le carton d'expédition et retirer les paquets contenant la documentation et le matériel de montage.
- Lire et suivre toutes les instructions** avant d'essayer d'utiliser la perceuse magnétique neuve.
- Veillez visiter Hougen.com pour enregistrer votre appareil. Il est important que Hougen Manufacturing, Inc. ait une trace de l'identité du propriétaire du produit.
- Ouvrir le paquet contenant le matériel de montage et vérifier le contenu.
 - 10565** Clé hexagonale 1/8" pour réglage de cale
 - 10569** Poignées d'avance (3)
 - 04532** Pommeaux de poignée d'avance (3)
 - 10730** Chaîne de sécurité
 - 24166** Clé hexagonale 7/32"
 - 13013** Clé hexagonale 5/32"
- À l'aide de la poignée de la perceuse magnétique, soulever l'unité pour la sortir du carton d'expédition.
- Retirer tout le matériel d'emballage et de fixation de la perceuse.
- Visser les trois pommeaux sur les trois poignées d'avance, puis visser les poignées dans le moyeu. Ne pas trop serrer sous peine d'endommager les pommeaux.
- La perceuse magnétique a été réglée à l'usine avant d'être expédiée. Vérifier que toutes les vis de réglage de cale, vis de monture du moteur, vis de support d'appui avant et vis de montage de l'aimant sont bien serrées et ne se sont pas desserrées sous l'effet des vibrations lors du transport.
- La perceuse magnétique neuve est livrée avec l'arbre déjà monté. L'alésage de l'arbre de 3/4" de diamètre permet d'accueillir toutes les fraises Hougen « série 12 000 » à tige de 3/4".

Lire une nouvelle fois les avertissements concernant la sécurité qui figurent dans le manuel d'utilisation et sur la perceuse pour éviter toute blessure. Suivre les procédures d'utilisation.

INDEX

| | | | |
|---|----------|---|----|
| Bienvenue chez Hougen | 2 | Description détaillée du panneau de commande | 10 |
| Consignes de sécurité | 3-4 | Description détaillée du moteur et de la coulisse | 11 |
| Instructions relatives à la chaîne de sécurité | 4 | Description détaillée du moteur | 12 |
| Fonctionnement des commandes | 5 | Entretien | 13 |
| Témoin lumineux de commutateur de sécurité | 5 | Réglage des cales et réglage de l'arbre | 13 |
| Commutateur d'éclairage de pilote | 5 | Retrait et installation de l'arbre | 14 |
| Installation des fraises Hougen | 6 | Instructions relatives à la base pivotante | 14 |
| Instructions d'utilisation | 6 | Conseils et solutions pour le perçage | 15 |
| Bouteille de fluide de refroidissement et description détaillée | 7 | Garantie limitée commerciale / industrielle | 16 |
| Description détaillée de la HMD905 | 8-9 | Centres de réparations sous garantie agréés | 16 |

AVERTISSEMENT



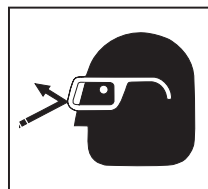
Les fraises sont tranchantes. Porter des gants pour installer la fraise sur l'arbre ou l'en retirer. Ne pas saisir une fraise en rotation.



Pour éviter toute décharge électrique, ne pas utiliser les outils électriques près de zones humides, ni là où ils risquent de se mouiller.



Ne pas fixer l'éclairage de travail.



Toujours porter des lunettes de protection lors de l'utilisation d'outils de perçage, ou à proximité d'une opération de perçage.



La débouchure est éjectée à la fin du perçage. Ne pas orienter la fraise ou l'arbre de telle manière que la débouchure risque de frapper quelqu'un aux alentours ou en dessous lorsqu'elle est éjectée.

CONSIGNES DE SÉCURITÉ IMPORTANTES



AVERTISSEMENT :

Lire tous les avertissements, consignes, illustrations et caractéristiques techniques fournis avec cet outil électrique. Si toutes les consignes énumérées ci-dessous ne sont pas suivies, il y a risque de décharge électrique, d'incendie ou de blessures graves.

1. Sécurité de la zone de travail

- Maintenir la zone de travail propre et bien éclairée. *Les établis encombrés et les zones sombres sont propices aux accidents.*
- Ne pas utiliser d'outils électriques s'il y a risque d'explosion, par exemple en présence de liquides, de gaz ou de poussières inflammables. *Les outils électriques génèrent des étincelles qui risquent d'enflammer les poussières ou les émanations.*
- Maintenir les enfants et les curieux à l'écart lors de l'utilisation d'un outil électrique. *Les distractions peuvent faire perdre la maîtrise de l'outil.*

2. Sécurité électrique

- Les fiches de l'outil électrique doivent correspondre à la prise. Ne jamais modifier la fiche de quelque manière que ce soit. Ne pas utiliser d'adaptateurs avec les outils électriques mis à la terre. *Les fiches et prises correspondantes non modifiées réduisent le risque de décharge électrique.*
- Éviter tout contact corporel avec les surfaces mises à la terre telles que les tuyaux, les radiateurs, les cuisinières et les réfrigérateurs. *Le risque de décharge électrique augmente si le corps est relié à la terre.*
- Ne pas exposer les outils électriques à la pluie ou à l'humidité. *L'eau pénétrant dans un outil électrique augmente le risque de décharge électrique.*
- Ne pas malmenier le cordon. Ne jamais se servir du cordon pour porter ou débrancher l'outil électrique. Tenir le cordon à l'écart de la chaleur, de l'huile, des arêtes tranchantes et des pièces en mouvement. *Les cordons endommagés ou emmêlés augmentent le risque de décharge électrique.*
- Pour utiliser un outil électrique à l'extérieur, se servir d'une rallonge d'extérieur conçue pour être employée à l'extérieur. *L'utilisation d'un cordon conçu pour l'extérieur réduit le risque de décharge électrique.*
- S'il est inévitable d'utiliser un outil électrique dans un endroit humide, utiliser une alimentation protégée par un disjoncteur différentiel de fuite à la terre (DDFT). *L'utilisation d'un DDFT réduit le risque de décharge électrique.*

3. Sécurité personnelle

- Rester vigilant, faire attention et faire preuve de bon sens lors de l'utilisation d'un outil électrique. Ne pas utiliser un outil électrique en étant fatigué ou sous l'effet de drogues, de l'alcool ou de médicaments. *Un instant d'inattention lors de l'utilisation d'outils électriques peut entraîner des blessures graves.*
- Utiliser un équipement de protection individuelle. Toujours porter des lunettes de protection. *Un équipement de protection tel qu'un masque antipoussière, des chaussures à semelle antidérapante, un casque de sécurité ou une protection auditive utilisé dans les conditions appropriées réduira les blessures.*

- Prévenir les démarrages involontaires. S'assurer que le commutateur est désactivé avant de brancher l'outil à la source d'alimentation ou au bloc-batterie, de le ramasser ou de le porter. *Porter des outils électriques avec le doigt sur le commutateur ou brancher ces outils avec le commutateur activé invite les accidents.*
- Retirer les clés de réglage avant de mettre l'outil électrique sous tension. *Une clé qui reste attachée à une pièce rotative de l'outil électrique peut entraîner des blessures.*
- Ne pas trop étendre les bras. Toujours maintenir l'appui et l'équilibre corrects. *Cela donne une meilleure maîtrise de l'outil électrique dans des situations imprévues.*
- Porter des vêtements adaptés. Ne pas porter de vêtements amples ni de bijoux. N'approcher ni les cheveux ni les vêtements des pièces en mouvement. *Les vêtements amples, les bijoux et les cheveux longs peuvent être pris dans les pièces en mouvement.*
- Si des appareils sont fournis pour le raccordement d'équipements d'extraction et de captage des poussières, s'assurer qu'ils sont branchés et utilisés correctement. *L'utilisation d'un dispositif de captage des poussières peut réduire les risques liés aux poussières.*
- Ne pas laisser la familiarité due à un usage fréquent des outils mener au relâchement et à la négligence des principes de sécurité. *Une action négligente peut causer des blessures graves en une fraction de seconde.*
- Toujours utiliser une chaîne de sécurité. *La monture peut céder.*

4. Utilisation et entretien des outils électriques

- Ne pas forcer l'outil électrique. Utiliser l'outil électrique adapté à l'application. *L'outil électrique correct permet de mieux faire le travail, en plus grande sécurité, à la vitesse pour laquelle il est prévu.*
- Ne pas utiliser l'outil électrique si le commutateur ne permet pas de le mettre sous ou hors tension. *Tout outil électrique ne pouvant pas être commandé par le commutateur est dangereux et doit être réparé.*
- Débrancher la fiche de la source d'alimentation ou retirer le bloc-batterie, s'il est détachable, de l'outil électrique avant d'effectuer tout réglage, de changer d'accessoire ou de remettre les outils électriques. *De telles mesures de sécurité préventives réduisent le risque de démarrage accidentel de l'outil.* (Suite page 4)

Conserver tous les avertissements et consignes pour future référence.

CONSIGNES DE SÉCURITÉ IMPORTANTES

- d) Remiser les outils électriques non utilisés hors de portée des enfants et ne laisser personne non familiarisée avec l'outil électrique ou ces consignes utiliser l'outil électrique. Les outils électriques sont dangereux aux mains des utilisateurs non formés.
- e) Entretien les outils électriques et les accessoires. Vérifier la présence d'un mauvais alignement ou de pièces en mouvement qui se coincent, la rupture des pièces et toute autre situation risquant de nuire au fonctionnement des outils. En cas de dommages, faire réviser l'outil électrique avant son utilisation. De nombreux accidents sont causés par des outils électriques mal entretenus.
- f) Maintenir les outils de perçage affûtés et propres. Les outils de perçage bien entretenus avec des bords tranchants affûtés sont moins susceptibles de se coincer et sont plus faciles à maîtriser.
- g) Utiliser l'outil électrique, les accessoires, les forets et toute autre pièce conformément aux consignes, en tenant compte des conditions de travail et de la tâche à effectuer. L'utilisation de l'outil électrique pour un usage autre que celui prévu peut entraîner des situations dangereuses.
- h) Maintenir les poignées et surfaces de préhension propres et exemptes d'huile et de graisse. Des poignées ou surfaces de préhension glissantes ne permettent pas de manier et de contrôler l'outil de manière sécuritaire dans les situations inattendues.

5. Entretien

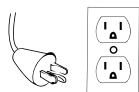
- a) Confier l'entretien de l'outil électrique à du personnel de réparation qualifié qui n'utilisera que des pièces de rechange identiques. Cela assurera la préservation de la sécurité de l'outil électrique.

CONSIGNES DE SÉCURITÉ SUPPLÉMENTAIRES

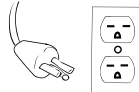
Sécurité du branchement électrique

Cette perceuse magnétique est conçue pour être utilisée sur du 115 V c.a. ou du 230 V à 50–60 Hz. Ne pas essayer de se servir de la perceuse sur des sources d'alimentation ayant d'autres caractéristiques nominales que celles-ci.

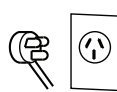
Fiches et prises



115 V typique aux É.-U.



230 V typique aux É.-U.



Fiche 230 V de type I

Des raccordements électriques humides présentent un risque d'électrocution. Pour empêcher le fluide de perçage de couler le long du cordon et d'entrer en contact avec la fiche ou la prise d'alimentation, réaliser une boucle d'égouttement comme illustré. Surélever également les rallonges ou les branchements aux coffrets électriques.



Rallonges

Utiliser uniquement des rallonges à 3 fils munies d'une fiche à 3 contacts avec mise à la terre et de prises tripolaires compatibles avec la fiche de l'outil. Remplacer ou réparer les cordons endommagés. S'assurer que le conducteur est d'un calibre suffisant pour éviter une chute de tension excessive qui entraînerait une coupure de courant et risquerait d'endommager le moteur.

| LONGUEUR DE CORDON | CALIBRE DE FIL RECOMMANDÉ | CALIBRE DE FIL RECOMMANDÉ |
|--------------------------------|---------------------------|---------------------------|
| | MOTEUR 115 V 10 À 12 A | MOTEUR 230 V 5 À 6 A |
| Jusqu'à 7,6 m (25') | 16 | 18 |
| De 7,9 à 15,2 m (26 à 50') | 14 | 18 |
| De 15,5 à 30,5 m (51 à 100') | 10 | 16 |
| De 30,8 à 61,0 m (101 à 200') | 8 | 14 |
| De 61,3 à 91,4 m (201 à 300') | 6 | 12 |
| De 91,7 à 152,4 m (301 à 500') | 4 | 10 |

Utilisation des rallonges d'extérieur

Lorsque l'outil est utilisé à l'extérieur, se servir uniquement de rallonges prévues pour un usage extérieur et marquées comme telles.

Consignes de sécurité supplémentaires

L'arbre et la fraise ne doivent jamais être employés comme main courante ou poignée. N'approcher les mains et les vêtements d'aucune pièce en mouvement. Ne pas utiliser les fraises Hougén là où la débouchure éjectée risque de causer des blessures (débouchure éjectée à la fin du perçage). Suivre également toutes les instructions d'utilisation. Ne pas percer de surface qui pourrait renfermer un câblage électrique sous tension. L'entrée en contact avec un fil sous tension lors du perçage risque de mettre sous tension les pièces métalliques exposées de la perceuse. Retirer les copeaux enroulés autour de la fraise et de l'arbre après chaque trou. Après avoir arrêté le moteur et coupé l'alimentation, saisir les copeaux avec des gants en cuir ou des pinces et tirer tout en faisant tourner dans le sens inverse des aiguilles d'une montre. Si la fraise se coincé dans la pièce à traiter, arrêter immédiatement l'unité pour éviter les blessures. Débrancher la perceuse de la source d'alimentation et libérer la fraise coincée en faisant tourner l'arbre dans le sens inverse des aiguilles d'une montre. Ne jamais essayer de libérer la fraise coincée en démarant le moteur. Confier l'entretien exclusivement à un centre de réparations agréé.

Utilisation près d'un équipement de soudage

NE PAS utiliser cette unité sur une surface de travail où une opération de soudage est en cours. L'unité risquerait d'être gravement endommagée, en particulier le cordon d'alimentation. L'opérateur pourrait aussi être blessé.

Disjoncteur (le cas échéant)

Le remplacement du disjoncteur par un autre d'intensité nominale plus élevée ou le contournement du disjoncteur est déconseillé et annulera la garantie du produit.

Fonctionnement du disjoncteur

(le cas échéant)

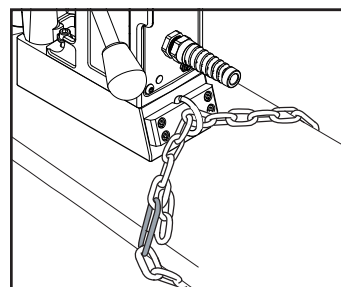
Le disjoncteur est un disjoncteur thermique. Lorsqu'il atteint la température nominale supérieure, il se déclenche et cause l'arrêt de l'unité. Il s'agit d'un dispositif de protection, qui peut être réarmé après 5 à 10 minutes. Pour réarmer le disjoncteur, renfoncer son bouton. S'il ne se réarme pas, laisser l'unité refroidir un peu plus longtemps, jusqu'à ce que le bouton puisse être enfoncé et reste en place.

Conserver tous les avertissements et consignes pour future référence.

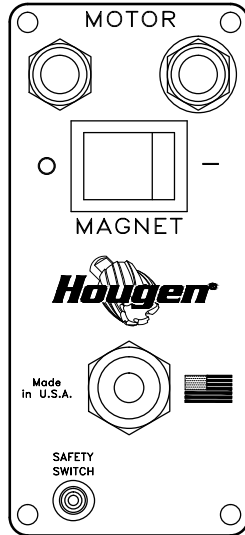
INSTRUCTIONS RELATIVES À LA CHAÎNE DE SÉCURITÉ

Il faut **TOUJOURS** se servir d'une chaîne de sécurité à chaque utilisation de la perceuse.

La chaîne de sécurité évite à la perceuse de chuter, dans le cas d'une panne de courant ou si l'aimant se détache de la surface de travail. La chaîne de sécurité se fixe à la perceuse en s'introduisant dans la bague en D à l'arrière de l'unité, puis en continuant à s'enrouler autour du matériau ou de la surface de travail. Régler la chaîne de sorte qu'elle soit tendue et immobilisée. Prière de se reporter au schéma.



FONCTIONNEMENT DES COMMANDES AVANT L'INSTALLATION DE LA FRAISE HOUGEN



PLAQUE DE
COMMUTATEURS DU
PANNEAU DE COMMANDE

IMPORTANT : Avant d'allumer la machine, il est important que l'opérateur comprenne les fonctions interdépendantes du **COMMUTATEUR DE SÉCURITÉ**, du **COMMUTATEUR D'AIMANT** et des **COMMUTATEURS DE MOTEUR**. **LIRE LES INSTRUCTIONS SUR LE TÉMOIN LUMINEUX DE COMMUTATEUR DE SÉCURITÉ.**

COMMUTATEUR DE SÉCURITÉ — Situé dans la base de la perceuse. Permet au moteur de fonctionner uniquement lorsque l'aimant est correctement installé sur une surface de travail propre et plate. Coupe le moteur si le commutateur détecte que l'unité est soulevée.

COMMUTATEUR DE MISE SOUS TENSION/MISE HORS TENSION D'AIMANT — Met sous tension et met hors tension la base magnétique et active le commutateur de sécurité. Le moteur peut maintenant être démarré en appuyant sur le commutateur de **DÉMARRAGE** de moteur.

COMMUTATEURS DE DÉMARRAGE/ARRÊT DE MOTEUR — Démarre et arrête le moteur.

1. Placer la perceuse magnétique sur une plaque d'acier propre et plate, épaisse d'au moins 9,5 mm (3/8").
2. Brancher l'unité à une source d'alimentation c.a. appropriée. **NE PAS utiliser d'alimentation c.c.**
3. Repérer le **commutateur** de **MISE SOUS TENSION** et de **MISE HORS TENSION** d'aimant et le commutateur d'**ARRÊT** et de **DÉMARRAGE** de moteur.
4. **REMARQUE :** Une coupure de courant met la base magnétique hors tension et désactive le moteur. Lorsque le courant est rétabli, l'aimant se remet sous tension mais il faut appuyer sur le commutateur de **DÉMARRAGE** de moteur pour que le moteur démarre.

TÉMOIN LUMINEUX DE COMMUTATEUR DE SÉCURITÉ

**** LE TÉMOIN DE COMMUTATEUR DE SÉCURITÉ S'ALLUME ET RESTE ALLUMÉ PENDANT QUE LA PERCEUSE EST BRANCHÉE ****

Le témoin lumineux de commutateur de sécurité est un dispositif de sécurité standard sur les perceuses magnétiques portatives Hougen. Il a pour rôle d'informer l'utilisateur de l'existence d'une situation dangereuse. Son rôle est d'informer l'utilisateur que le détecteur de levée est activé.

Si le témoin est vert :

Dans les conditions normales de fonctionnement, le témoin de commutateur de sécurité est vert. Les commutateurs de « marche » et d'« arrêt » du moteur fonctionnent normalement.

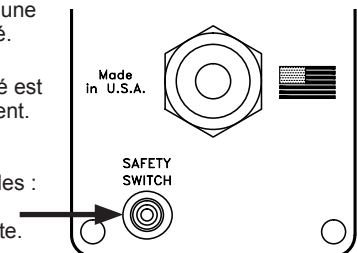
Si le témoin est rouge :

Le commutateur de sécurité présente un problème qui doit être corrigé. Causes possibles :

- Le commutateur de sécurité est défectueux. Faire réparer la perceuse.
- Surface de travail ou matériau irrégulier. Vérifier que la surface de travail est plate.
- Saleté ou copeaux sous l'aimant. Nettoyer la surface de travail.

Test du commutateur de sécurité :

Avant d'utiliser la perceuse, toujours tester le commutateur de sécurité. Pour tester le commutateur, placer la perceuse sur une surface de travail et la brancher à la prise. Basculer la perceuse de façon à ce que l'aimant se soulève de la surface de travail. Le témoin du commutateur de sécurité doit passer du vert au rouge. Un témoin qui reste vert ou rouge indique un problème de commutateur de sécurité qu'il est nécessaire de corriger. (p. ex. commutateur de sécurité défectueux, piston de sécurité dans la base de l'aimant bloqué, etc.) Corriger et refaire un test avant d'utiliser la perceuse.



PLAQUE DE COMMUTATEURS
DU PANNEAU DE COMMANDE

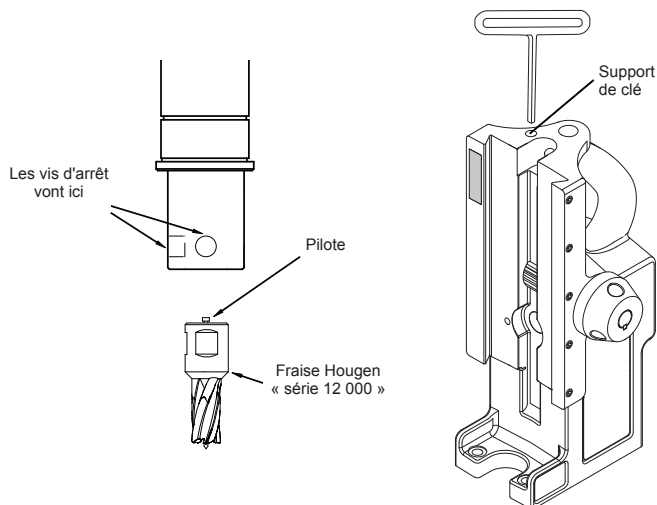
Le matériau doit être épais d'au moins 9,5 mm (3/8"). Si le matériau est épais de moins de 9,5 mm (3/8"), l'aimant ne « tiendra » pas bien.

HOUGEN MANUFACTURING RECOMMANDE DE CORRIGER LES PROBLÈMES DE SORTE QUE LE TÉMOIN SOIT VERT. AINSI, L'UNITÉ POURRA ÊTRE UTILISÉE EN TOUTE SÉCURITÉ.

Pour toute question, prière de s'adresser au service technique de Hougen Manufacturing au (810) 635-7111.

INSTALLATION DE LA FRAISE HOUGEN DANS L'ARBRE

1. Débrancher l'unité de la source d'alimentation et retirer la clé à poignée en T du support, en haut de la perceuse.
2. Coucher la perceuse sur le côté avec les poignées d'avance vers le haut ou s'assurer que l'arbre est dégagé du socle si l'unité est en position normale de fonctionnement.
3. Tourner les poignées d'avance jusqu'à ce que les vis d'arrêt de montage de fraise soient exposées et retirer complètement ces vis.
4. Introduire le pilote approprié dans le côté tige de la fraise Hougen.
5. Insérer la fraise Hougen jusqu'à ce que le méplat de sa tige soit aligné avec les trous des vis d'arrêt et soit exactement perpendiculaire à l'axe de ces trous.
6. Introduire les vis d'arrêt et les serrer. Vérifier que la fraise est bien fixée.



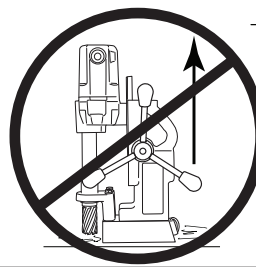
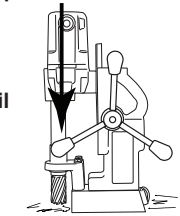
INSTRUCTIONS D'UTILISATION

Ne jamais oublier que la puissance d'attraction de l'aimant est directement liée à l'épaisseur de la pièce à traiter et à l'état de sa surface. Sachant que l'attraction magnétique diminue si le matériau est fin ou si la surface est rugueuse, la perceuse doit être fixée mécaniquement à la pièce à traiter lorsqu'un matériau fin (9,5 mm [3/8"] ou moins) ou présentant une surface irrégulière va être percé.

1. S'assurer que la pièce à traiter et le dessous de l'aimant sont exempts de copeaux, d'huile, etc.
2. Positionner la perceuse en la faisant glisser et en faisant avancer l'arbre doucement de sorte que la pointe du pilote touche le centre du trou à percer. (Voir la section relative au témoin du commutateur de sécurité, page 5)
3. Positionner la perceuse en la faisant glisser et en faisant avancer l'arbre doucement de sorte que la pointe du pilote touche le centre du trou à percer.
4. **Fixer l'unité à la pièce à traiter à l'aide de la chaîne de sécurité.**
5. Mettre l'aimant « SOUS TENSION » en appuyant sur le commutateur de MISE SOUS TENSION d'aimant.
6. Tourner la poignée d'avance, en relevant la fraise jusqu'à ce que le pilote se trouve au-dessus de la surface de travail.
7. Remplir le réservoir de fluide de refroidissement ou la bouteille de fluide de refroidissement fixée, le cas échéant.
8. S'assurer que la fraise est dégagée de la pièce à traiter et mettre le moteur en « MARCHÉ » en appuyant sur le commutateur de DÉMARRAGE de moteur.
9. Avancer la fraise Hougen lentement dans la pièce à traiter. Attendre que le perçage soit amorcé sur une profondeur d'environ 1,6 mm (1/16") avant d'appliquer la pleine puissance aux poignées d'avance.
10. Relâcher quelque peu la pression d'avance lorsque la fraise commence à ressortir.
11. Lorsque le perçage est terminé, « ARRÊTER » le moteur en appuyant sur le commutateur d'ARRÊT de moteur. Tourner les poignées d'avance pour relever l'arbre et ainsi éjecter la débouchure si elle n'est pas déjà tombée en se détachant.
12. Mettre l'aimant « HORS TENSION » en appuyant sur le commutateur de MISE HORS TENSION d'aimant.
13. **Débrancher l'unité de la source d'alimentation.**
14. Si nécessaire, retirer les copeaux de la fraise et de l'aimant, de préférence à l'aide de gants de travail en cuir et/ou de pinces. Détacher la chaîne de sécurité. L'unité est alors prête à être déplacée vers une nouvelle position de perçage.

Lors du perçage, en particulier à l'horizontale ou en surplomb, toujours appliquer la pression d'avance vers la surface de travail. Ne jamais la retirer de la surface de travail car cela peut réduire la puissance de maintien magnétique.

Avancer vers la surface de travail à l'aide des poignées.



Ne jamais éloigner les poignées de la surface de travail.

RÉGIMES MOTEUR RECOMMANDÉS POUR LA HMD905

450 TR/MN

12 à 25 mm (7/16" à 1") de diam.

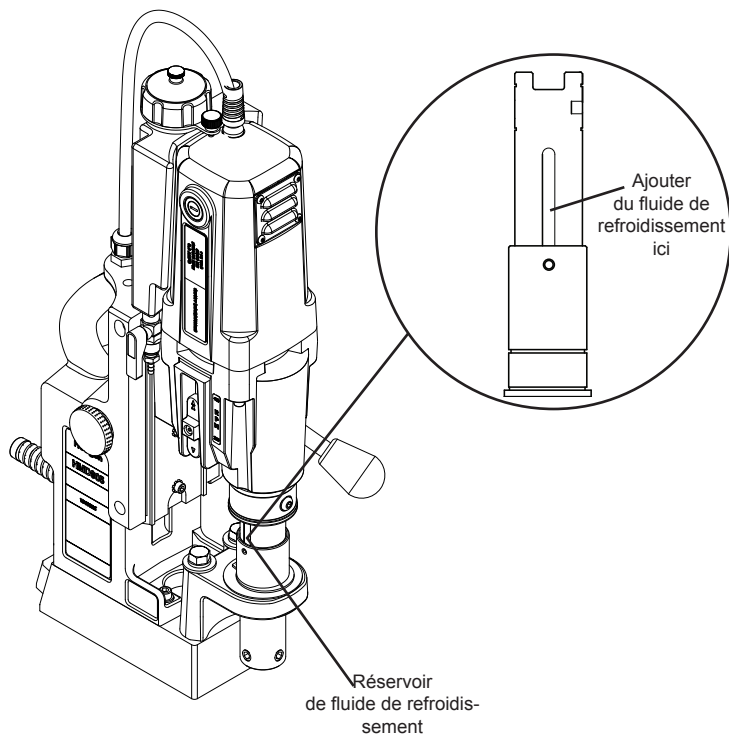
250 TR/MN

27 à 41 mm (1-1/16" à 1-5/8") de diam.

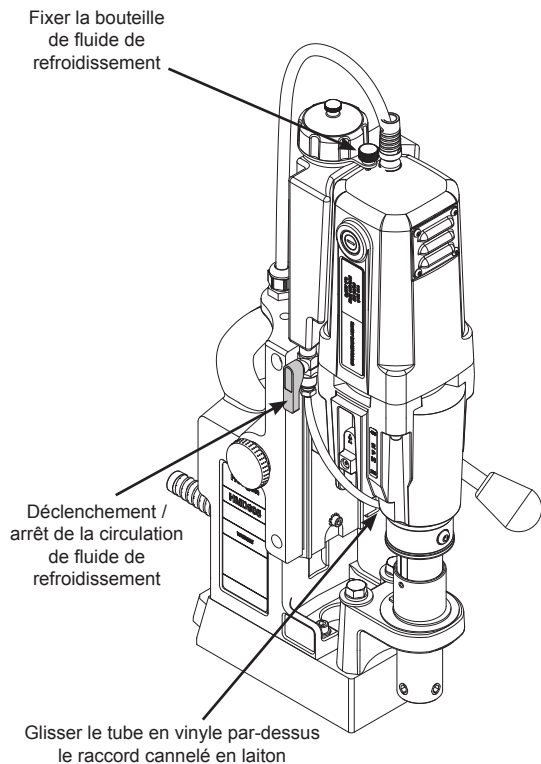
Les recommandations de régime moteur se basent sur une utilisation de la perceuse HMD905 avec des fraises Hougen « série 12 000 » en acier rapide. Les régimes moteur ne représentent pas les vitesses optimales pour tous les diamètres de fraise et applications. Pour de plus amples renseignements, se reporter à la calculatrice de vitesse et d'avance (Speed & Feed Calculator) de Hougen sur Hougen.com, ou appeler au 1-800-426-7818 pour une assistance technique.

UTILISATION DU RÉSERVOIR DE FLUIDE DE PERÇAGE

1. La perceuse magnétique étant en position de fonctionnement, tourner les poignées d'avance de sorte que la fraise et le pilote se trouvent au-dessus de la surface de travail.
2. L'aimant étant SOUS TENSION et le moteur ARRÊTÉ, remplir le réservoir en introduisant le fluide de perçage par les fentes de l'arbre. **Le fluide de perçage ne doit pas fuir à l'extérieur.**
3. Tester le débit de l'ensemble arbre/fraise/pilote (aimant SOUS TENSION - moteur ARRÊTÉ) en faisant avancer l'arbre doucement vers la surface de travail jusqu'à ce que le pilote soit poussé vers le haut dans la fraise, permettant ainsi au fluide de s'écouler lentement sur la surface de travail à travers la rainure du pilote.
4. Pour que la lubrification soit correcte, tout le fluide présent dans le réservoir doit se vider sur la surface de travail en au moins 15 secondes et au plus 30 secondes.
5. Le réservoir contient suffisamment de fluide de refroidissement pour le perçage d'un trou environ.
* Cette méthode d'utilisation du fluide de refroidissement peut aussi être employée dans la version avec bouteille de fluide de refroidissement fixée, si la bouteille est perdue.
6. Pour le perçage de trous à l'horizontale ou en surplomb, utiliser du lubrifiant Slick-Stik.



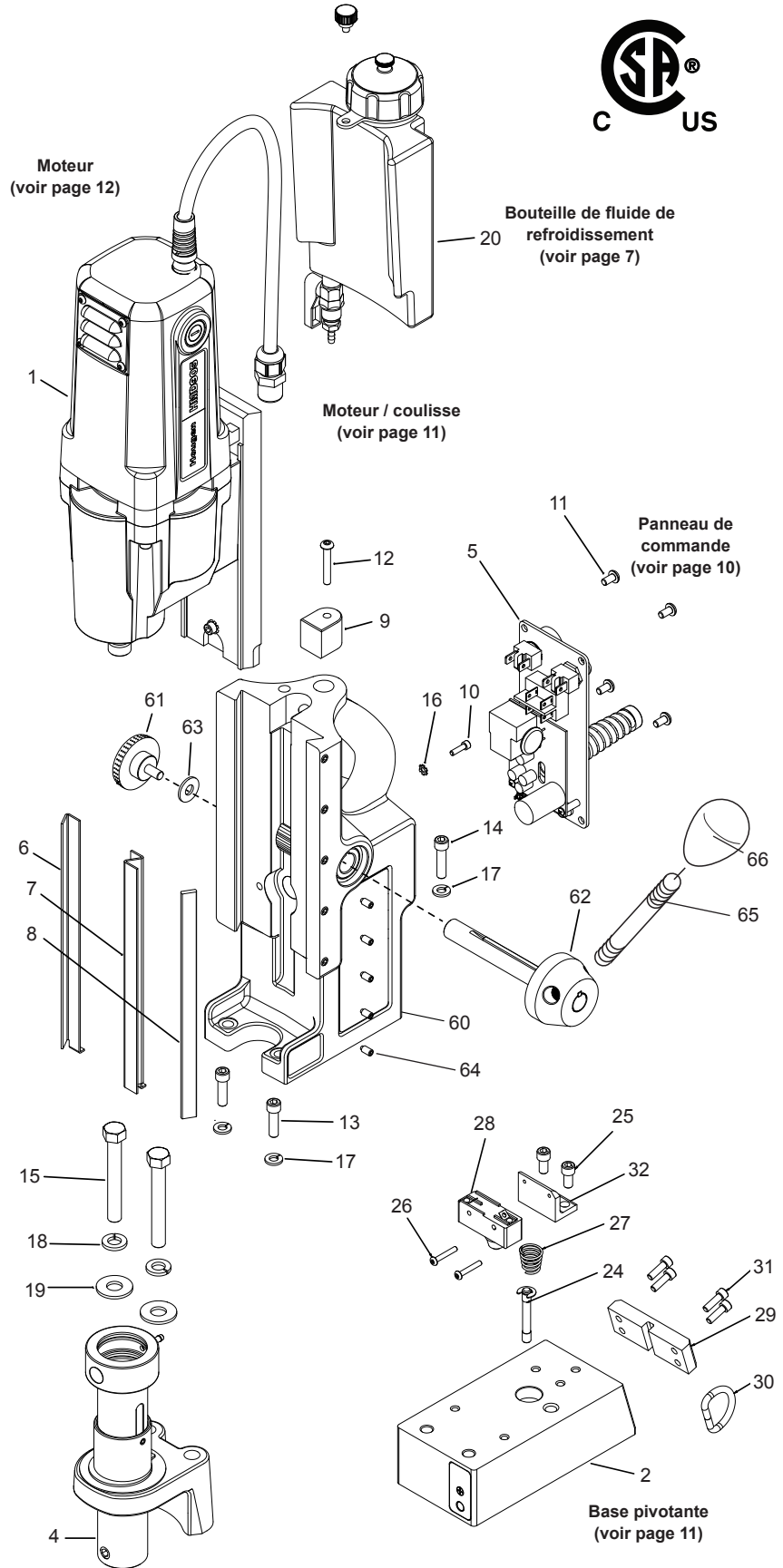
BOUTEILLE DE FLUIDE DE REFROIDISSEMENT



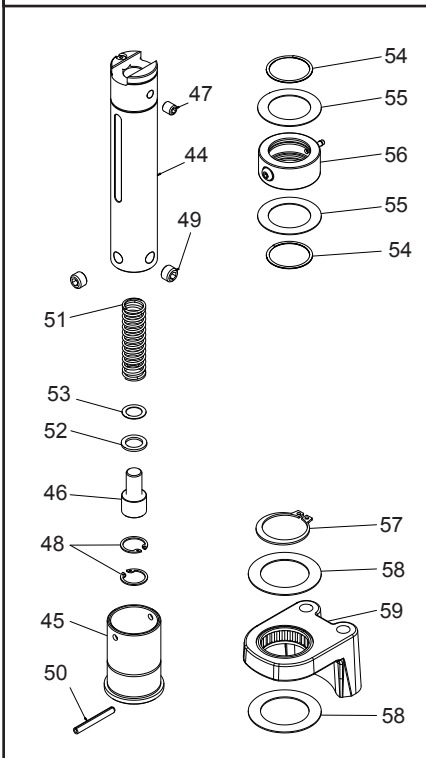
07950 Bouteille de fluide de refroidissement

| N° réf. | Description |
|---------|---|
| 08255 | Bouteille ronde |
| 08061 | Support de bouteille de fluide de refroidissement (raccordement de la bouteille au support) |
| 41044 | Vis BHC n° 10-32 x 3/8 |
| 05065 | Robinet à bille |
| 05067 | Raccord cannelé en laiton (dessous de la bouteille) |
| 40304 | Tube en vinyle |
| 07080 | Raccord en laiton (raccordement du tube en vinyle au conduit d'entrée de fluide de refroidissement) |
| 24124 | Capuchon de bouteille de fluide de refroidissement |

PERCEUSE À BASE MAGNÉTIQUE HMD905



N° 4 - Arbre à fluide de refroidissement



| Description détaillée de la HMD905 | | | |
|------------------------------------|---------|---|-----|
| Élém. | N° réf. | Description | Qté |
| 1 | 07948 | Moteur / coulisse | 1 |
| 4 | 07831 | Arbre à fluide de refroidissement Sans pivotement | 1 |
| | 08115 | Arbre à fluide de refroidissement À pivotement | 1 |
| 5 | 08251 | Panneau de commande | 1 |
| 6 | 02429 | Cale droite en laiton | 1 |
| 7 | 02430 | Cale gauche en laiton | 1 |
| 8 | 02431 | Cale en acier | 1 |
| 9 | 07833 | Cale de butée | 1 |
| 10 | 17002 | Vis SHC n° 6-32 x 1/2 de long | 1 |
| 11 | 41044 | Vis BHC n° 10-32 x 3/8 de long | 4 |
| 12 | 10559 | Vis BHC n° 10-32 x 1-1/4 de long | 1 |
| 13 | 10553 | Vis SHC 1/4-20 x 7/8 de long | 2 |
| 14 | 40077 | Vis SHC 1/4-20 x 1" de long | 1 |
| 15 | 40594 | Boulon hexagonal 3/8-24 x 2-3/4 de long Sans pivotement | 2 |
| | 01598 | Boulons pivotants FSB | 2 |
| 16 | 90052 | Rondelle-frein ext. n° 6 | 1 |
| 17 | 90028 | Rondelle-frein hélicoïdale 1/4 | 3 |
| 18 | 40391 | Rondelle-frein hélicoïdale 3/8 | 2 |
| 19 | 40392 | Rondelle plate 3/8 type A | 2 |
| 20 | 07950 | Bouteille de fluide de refroidissement | 1 |
| Accessoires inclus | | | |
| | 10565 | Clé hexagonale 1/8 | 1 |
| 65 | 10569 | Poignées d'avance | 3 |
| 66 | 04532 | Pommeaux de poignée d'avance | 3 |
| | 90724 | Chaîne de sécurité 3/16 X 5' avec mousqueton | 1 |
| | 08077 | Mallette de transport avec étiquette | 1 |
| | 24166 | Clé hexagonale 7/32" pour arbre | 1 |

| 07882 Aimant 115V | | | |
|-------------------|---------|------------------------------------|-----|
| Art. | N° réf. | Description | Qté |
| 2 | 07861 | Aimant | 1 |
| 24 | 04910 | Piston | 1 |
| 25 | 10971 | Vis SHC 1/4-20 x 1/2" de long | 2 |
| 26 | 10972 | Vis BHC n° 6-32 x 7/8" de long | 2 |
| 27 | 17271 | Ressort de compression conique | 1 |
| 28 | 04885 | Microcommutateurs | 1 |
| 29 | 07887 | Plaque de retenue de bague | 1 |
| 30 | 24144 | Bague en D | 1 |
| 31 | 41046 | Vis SHC n° 10-32 x 1/2" de long | 4 |
| 32 | 04909 | Support de commutateur de sécurité | 1 |

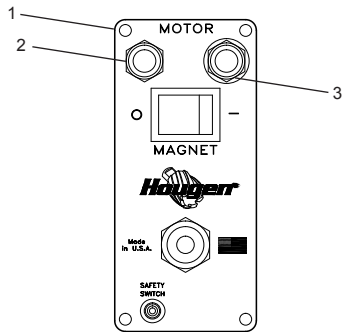
Base pivotante (voir page 11)

| 07831 Arbre et support d'appui avant | | | |
|--------------------------------------|---------|---|-----|
| Élém. | N° réf. | Description | Qté |
| 44 | 07872 | Corps de l'arbre | 1 |
| 45 | 07162 | Éjecteur à collier | 1 |
| 46 | 07079 | Siège de ressort | 1 |
| 47 | 40256 | Vis d'arrêt 5/16-18 x 3/8 à pointe ovale | 1 |
| 48 | 10517 | Bague de retenue interne | 2 |
| 49 | 40222 | Vis d'arrêt 7/16-14 x 0,305 | 2 |
| 50 | 40312 | Goupille élastique 3/16 de diam. x 1,564 modifiée | 1 |
| 51 | 05049 | Ressort de compression | 1 |
| 52 | 07436 | Rondelle en caoutchouc | 1 |
| 53 | 07440 | Rondelle de réglage 12 x 18 x 0,5 mm | 1 |
| 54 | 40302 | Bague de retenue | 2 |
| 55 | 40301 | Rondelle de butée 1-3/8 x 2-1/16 x 1/32 | 2 |
| 56 | 07445 | Conduit d'entrée de fluide de refroidissement | 1 |
| | 40300 | Joint torique (<i>non illustré</i>) | 1 |
| | 07447 | Raccord de flexible (<i>non illustré</i>) | 1 |
| | 07082 | Vis BHC 1/4-28 x 1/4 (<i>non illustrée</i>) | 1 |
| 57 | 40398 | Bague de retenue | 1 |
| 58 | 40234 | Rondelle de butée | 2 |
| 59 | 07870 | Support d'appui avant à pivotement | 1 |
| | 09731 | Support d'appui avant À pivotement | |

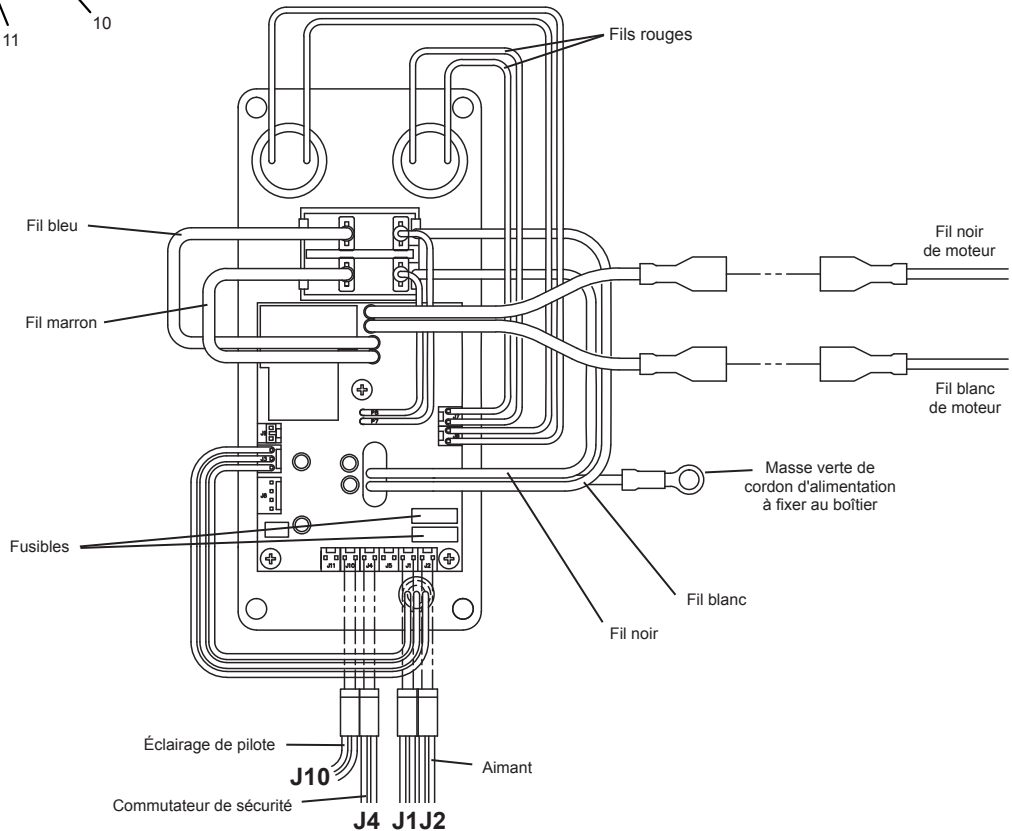
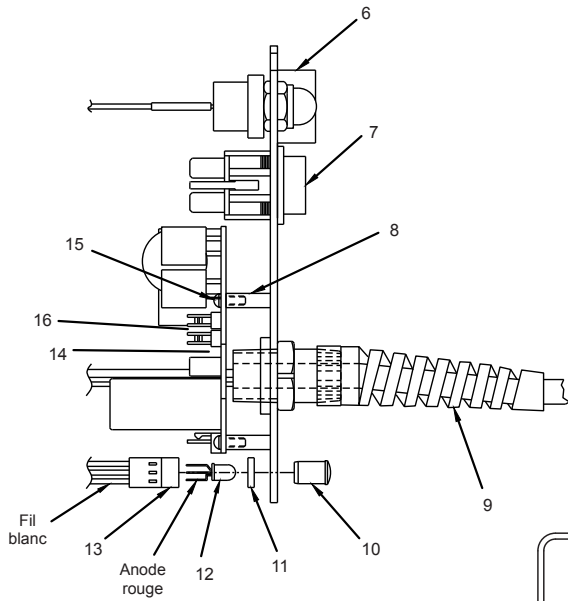
| 08115 Arbre et support d'appui avant | | | |
|--------------------------------------|---------|---|-----|
| Élém. | N° réf. | Description | Qté |
| 44 | 07872 | Corps de l'arbre | 1 |
| 45 | 07162 | Éjecteur à collier | 1 |
| 46 | 07079 | Siège de ressort | 1 |
| 47 | 40256 | Vis d'arrêt 5/16-18 x 3/8 à pointe ovale | 1 |
| 48 | 10517 | Bague de retenue interne | 2 |
| 49 | 40222 | Vis d'arrêt 7/16-14 x 0,305 | 2 |
| 50 | 40312 | Goupille élastique 3/16 de diam. x 1,564 modifiée | 1 |
| 51 | 05049 | Ressort de compression | 1 |
| 52 | 07436 | Rondelle en caoutchouc | 1 |
| 53 | 07440 | Rondelle de réglage 12 x 18 x 0,5 mm | 1 |
| 54 | 40302 | Bague de retenue | 2 |
| 55 | 40301 | Rondelle de butée 1-3/8 x 2-1/16 x 1/32 | 2 |
| 56 | 07445 | Conduit d'entrée de fluide de refroidissement | 1 |
| | 40300 | Joint torique (<i>non illustré</i>) | 1 |
| | 07447 | Raccord de flexible (<i>non illustré</i>) | 1 |
| | 07082 | Vis BHC 1/4-28 x 1/4 (<i>non illustrée</i>) | 1 |
| 57 | 40398 | Bague de retenue | 1 |
| 58 | 40234 | Rondelle de butée | 2 |
| 59 | 08113 | Support d'appui avant à pivotement | 1 |
| | 09731 | Support d'appui avant À pivotement | |

| 08384 Boîtier | | | |
|---------------|---------|--|-----|
| Élém. | N° réf. | Description | Qté |
| 60 | 07993 | Boîtier de perçage | 1 |
| 61 | 05839 | Bouton à prise ergonomique en caoutchouc | 1 |
| 62 | 40254 | Moyeu | 1 |
| 63 | 10679 | Rondelle plate 1/4 type A | 1 |
| 64 | 40237 | Vis de cale | 5 |

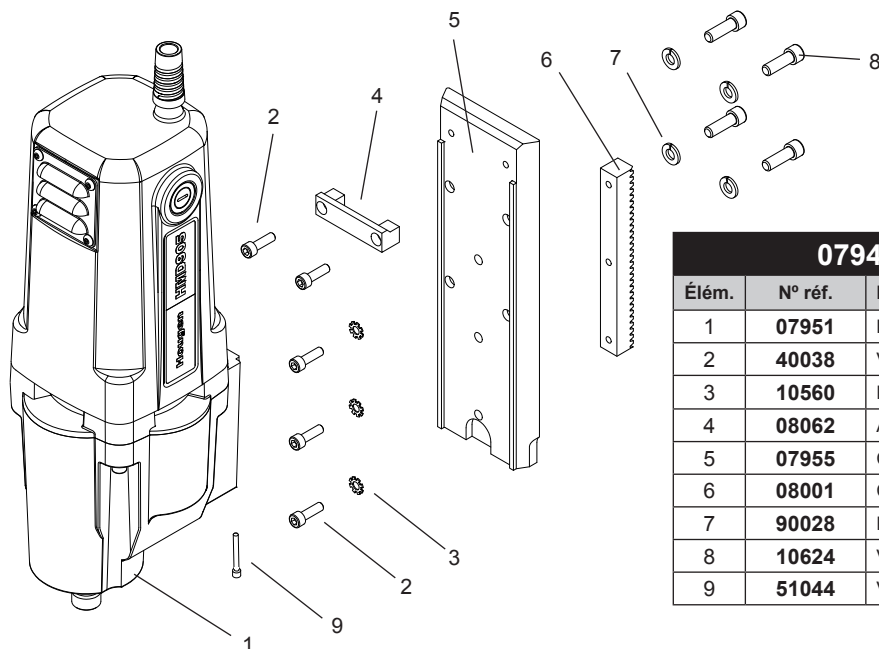
DESCRIPTION DÉTAILLÉE DU PANNEAU DE COMMANDE ET CÂBLAGE



| 07889 Panneau | | | |
|---------------|---------|---------------------------------|-----|
| Élém. | N° réf. | Description | Qté |
| 1 | 07011 | Façade | 1 |
| 2 | 01335 | Commutateur d'arrêt du moteur | 1 |
| 3 | 01334 | Commutateur de marche du moteur | 1 |
| 6 | 01226 | Protection de commutateur | 1 |
| 7 | 04614 | Commutateur d'aimant | 1 |
| 8 | 02548 | Entretoise | 3 |
| 9 | 24073 | Cordon d'alimentation | 1 |
| 10 | 04879 | Lentille transparente de LED | 1 |
| 11 | 04878 | Pièce d'écartement de LED | 1 |
| 12 | 04881 | Ampoule à LED | 1 |
| 13 | 04877 | Faisceau de fils de LED | 1 |
| 14 | 08646 | Carte de circuit imprimé | 1 |
| 15 | 02547 | Vis n°4-40 x 5/16 de long | 3 |
| 16 | 07522 | Fusible | 2 |



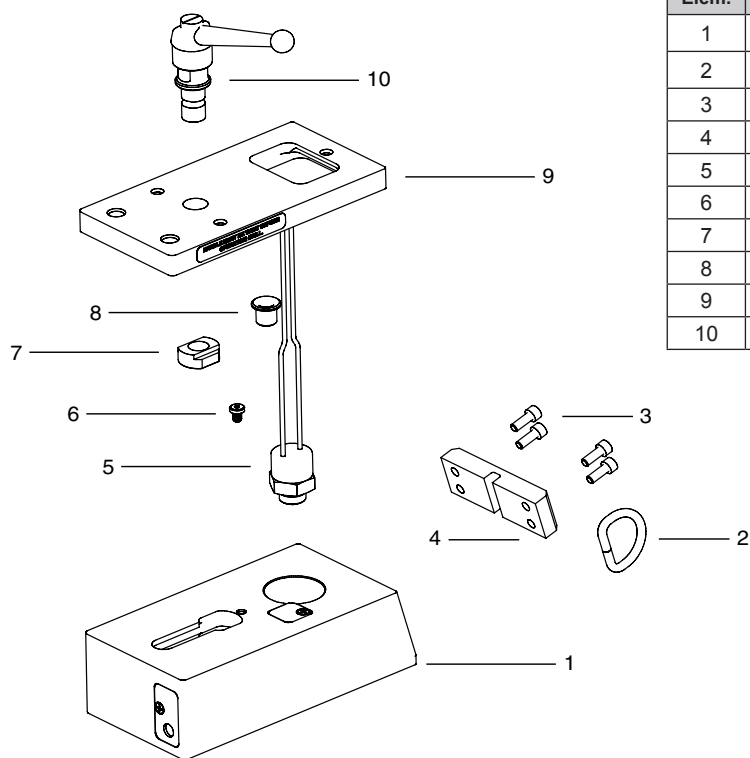
DESCRIPTION DÉTAILLÉE DU MOTEUR ET DE LA COULISSE



07948 Moteur et coulisse

| Élém. | N° réf. | Description | Qté |
|-------|---------|--------------------------------|-----|
| 1 | 07951 | Moteur complet | 1 |
| 2 | 40038 | Vis BHC n° 10-32 x 5/8 de long | 5 |
| 3 | 10560 | Rondelle-frein ext. n° 10 | 3 |
| 4 | 08062 | Appui de bouteille | 1 |
| 5 | 07955 | Coulisse à queue d'aronde | 1 |
| 6 | 08001 | Crémaillère | 1 |
| 7 | 90028 | Rondelle-frein hélicoïdale 1/4 | 4 |
| 8 | 10624 | Vis SHC 1/4-20 x 3/4 | 4 |
| 9 | 51044 | Vis SHC n° 1-32 x 1-1/4 | 1 |

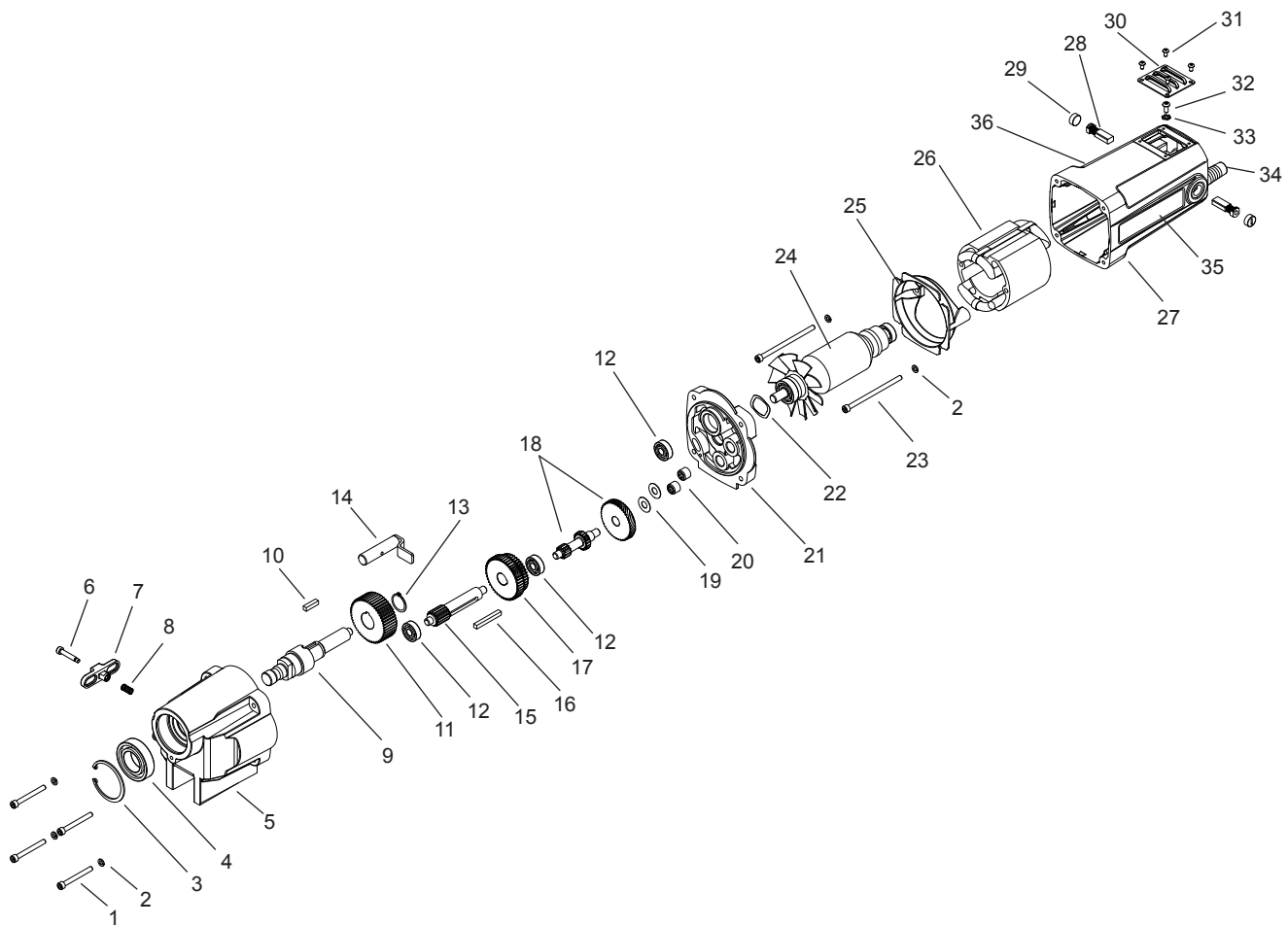
DESCRIPTION DÉTAILLÉE DE LA BASE PIVOTANTE ET DE L'AIMANT



09728 Aimant de pivotement

| Élém. | N° réf. | Description | Qté |
|-------|---------|---------------------------------------|-----|
| 1 | 09725 | Aimant de montage pivotant 120V | 1 |
| 2 | 24144 | Anneau - "D" x 1" de large | 1 |
| 3 | 41046 | Vis - SHC 10-32 x 1/2 | 4 |
| 4 | 07887 | Plaque - Anneau de retenue | 1 |
| 5 | 05652 | Ensemble interrupteur de sécurité | 1 |
| 6 | 09727 | Vis - SHC 10-32 x 1/4 | 1 |
| 7 | 09721 | Ecrou - TEE 1/2 - 18 LH TND DBL PASSE | 1 |
| 8 | 07215 | Bride de douille | 1 |
| 9 | 09722 | Emerillon de boîtier de plaque | 1 |
| 10 | 09729 | Poignée de serrage d'assemblage | 1 |

SCHÉMA DES PIÈCES DE MOTEUR



07952 Moteur

| Élém. | N° réf. | Description | Qté | Élém. | N° réf. | Description | Qté |
|-------|---------|---|-----|-------|---------|---|-----|
| 1 | 08234 | Vis SHC n° 10-32 X 1-5/8 de long | 4 | 21 | 07969 | Couvercle de boîte d'engrenages | 1 |
| 2 | 50038 | Rondelle-frein hélicoïdale n° 10 | 6 | 22 | 08070 | Rondelle élastique | 1 |
| 3 | 07860 | Bague de retenue | 1 | 23 | 08025 | Vis SHC n° 10-32 x 3-1/4 de long | 2 |
| 4 | 40274 | Roulement 25 mm x 47 mm x 12 mm | 1 | 24 | 07956 | Armature | 1 |
| 5 | 07966 | Carter de boîte d'engrenages | 1 | 25 | 07958 | Chicane | 1 |
| 6 | 08069 | Vis SHSLD 3/16 x 7/8 | 1 | 26 | 07957 | Bobinage | 1 |
| 7 | 07908 | Commutateur | 1 | 27 | 07953 | Support de moteur/porte-balais | 1 |
| 8 | 07910 | Ressort de compression | 1 | 28 | 07961 | Balais en carbone | 2 |
| 9 | 07976 | Fusée d'entraînement de moteur | 1 | 29 | 07960 | Capuchon de porte-balais | 2 |
| 10 | 07904 | Clavette 3/16 x 3/16 x 3/4 | 1 | 30 | 07848 | Couvercle d'accès aux balais | 1 |
| 11 | 07975 | Engrenage cylindrique amovible à 49 dents | 1 | 31 | 02385 | Vis BHC n° 6-32 x 1/4 | 4 |
| 12 | 24100 | Roulement à billes | 3 | 32 | 41042 | Vis BHC n° 8-32 x 3/8 de long | 1 |
| 13 | 24160 | Bague de retenue | 1 | 33 | 10538 | Rondelle-frein n° 8 | 1 |
| 14 | 07977 | Bras de tige de commande des vitesses | 1 | 34 | 08336 | Cordon de moteur | 1 |
| 15 | 07974 | Engrenage cylindrique amovible à 15 dents | 1 | 35 | 07936 | Étiquette de moteur | 1 |
| 16 | 07978 | Clavette 3/16 x 3/16 x 1-1/2 | 1 | 36 | 07937 | Étiquette des caractéristiques techniques du moteur | 1 |
| 17 | 07973 | Engrenage convertisseur 250/450 | 1 | | | | |
| 18 | 07972 | Engrenages n° 2 et n° 3 | 1 | | | | |
| 20 | 07903 | Roulement à aiguilles | 2 | | | | |

ENTRETIEN

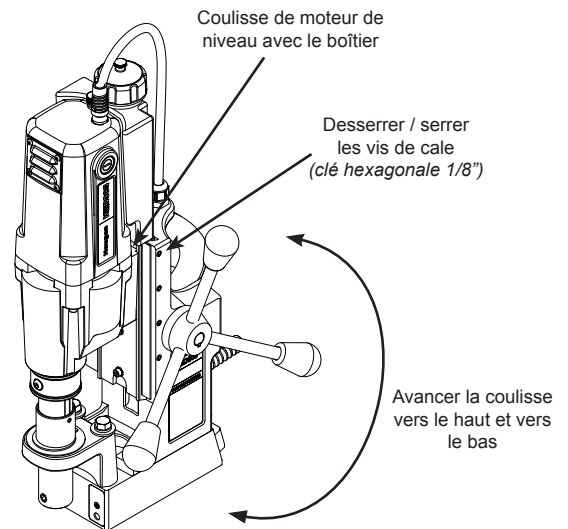
Afin de minimiser l'usure des pièces en mouvement et d'améliorer le fonctionnement et la durée de service de cette perceuse magnétique, les opérations d'entretien suivantes doivent être effectuées périodiquement, en fonction de l'utilisation.

1. Serrer régulièrement toutes les fixations et remplacer toutes les pièces usées.
2. Vérifier les balais du moteur et les remplacer s'ils sont usés.
3. Vérifier le cordon d'alimentation et le cordon qui relie le panneau au moteur et, s'ils sont craquelés ou effilochés, les renvoyer à un centre de réparations agréé pour qu'ils soient remplacés.
4. Appliquer de la graisse sur les queues d'aronde de la coulisse, les cales en laiton et la crémaillère d'avance. Pour obtenir les meilleurs résultats, utiliser de la graisse Shell Cyprina-RA ou l'équivalent.
5. Retirer l'arbre (voir *Retrait de l'arbre à la page 14*) et garnir le roulement du support d'appui avant de graisse. Utiliser de la graisse Shell Cyprina-RA ou l'équivalent.
6. Le piston du commutateur de sécurité doit être propre et lubrifié régulièrement avec de l'huile pénétrante. Selon les besoins, séparer l'aimant de la perceuse et enlever l'ensemble commutateur de sécurité de l'aimant. Sortir le piston de l'aimant en poussant. Nettoyer tous les débris qui se trouvent à l'intérieur et autour du trou de piston dans l'aimant. Enduire le piston de produit antigrippant. Remettre le piston et l'ensemble commutateur de sécurité, puis serrer les vis. Remettre l'aimant sur le boîtier de la perceuse.

RÉGLAGE DES CALES

1. Vérifier régulièrement les cales pour s'assurer qu'elles sont bien serrées. Serrer selon le besoin.
2. Desserrer toutes les vis de cale.
3. Avancer la perceuse vers l'intérieur et vers l'extérieur à quelques reprises puis, le haut de la coulisse de moteur étant aligné avec le haut du boîtier, serrer les vis de cale jusqu'à ce qu'elles touchent la cale en acier.
4. Avancer de nouveau la perceuse vers l'intérieur et vers l'extérieur.
5. Régler les vis de cale de sorte que la pression soit uniforme de haut en bas. (Haut de la coulisse de moteur aligné avec le haut du boîtier.)
6. Serrer chaque vis de cale d'environ 1/8 à 1/4 de tour, selon ses préférences.
7. Les cales doivent être suffisamment serrées pour que la coulisse se déplace vers le haut et vers le bas sans avoir de jeu. (En cas de serrage insuffisant, la fraise se cassera.)

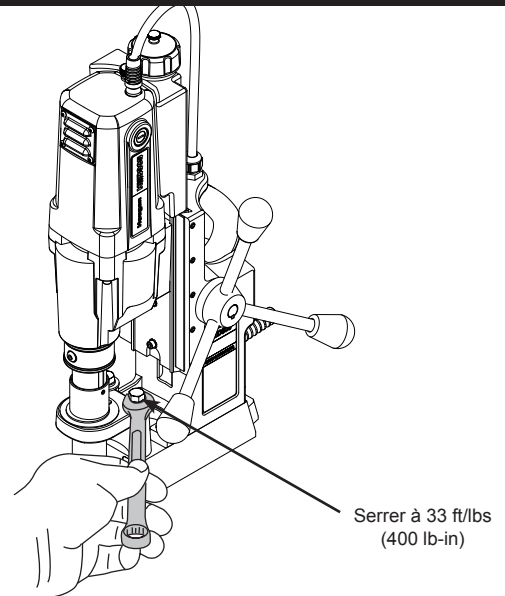
REMARQUE : Les cales doivent être lubrifiées régulièrement.



RÉGLAGE DE L'ARBRE

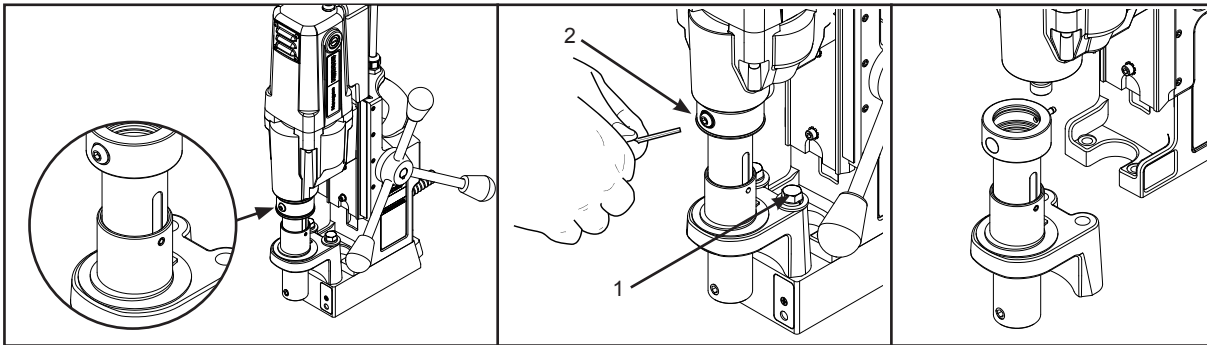
Régler les cales avant de régler le support d'appui avant.

1. Le support d'appui de l'arbre peut se desserrer au fil du temps. Vérifier régulièrement les boulons d'appui de l'arbre pour s'assurer qu'ils sont bien serrés. Serrer selon le besoin.
1. Desserrer les boulons du support d'appui de l'arbre.
2. S'assurer que le haut de l'arbre est aligné avec l'épaulement de l'arbre de sortie du moteur. Veiller également à ce que l'arbre soit solidement fixé.
3. Tourner la poignée d'avance jusqu'à ce que le moteur et la fusée soient au bas de leur course.
4. Serrer les boulons d'appui de l'arbre.
5. Avancer la coulisse vers le haut et vers le bas à quelques reprises pour vérifier qu'elle se déplace librement et de manière uniforme.



RETRAIT ET INSTALLATION DE L'ARBRE ET DU SUPPORT D'APPUI AVANT

Arbre à fluide de refroidissement



Retrait

1. Desserrer les boulons du support d'appui de l'arbre.
2. Retirer la vis du conduit d'entrée de fluide de refroidissement. Faire tourner l'arbre jusqu'à ce que sa vis soit alignée avec le trou.
3. Desserrer la vis d'arrêt fixant l'arbre à l'arbre de sortie du moteur.
4. Retirer l'arbre.

Installation

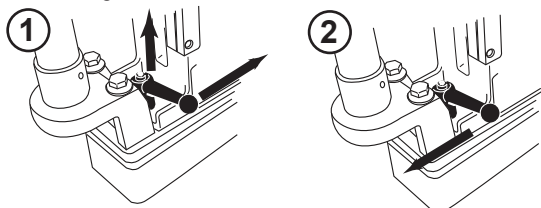
1. Serrer à la main les boulons du support d'appui avant. Ne pas serrer à fond.
2. Faire glisser l'arbre en position entièrement relevée et le maintenir en place au-dessus de l'arbre de sortie du moteur d'entraînement à fente.
3. Serrer la vis d'arrêt pour fixer l'arbre à l'arbre de sortie du moteur.
4. Remettre en place la vis du conduit d'entrée de fluide de refroidissement.
5. Tourner la poignée d'avance jusqu'à ce que le moteur et l'arbre soient au bas de leur course.
6. Serrer les boulons du support d'appui avant à 400 in/lb.
7. Faire tourner le moteur pendant 10 secondes. (Si un déplacement de l'arbre est constaté visuellement, recommencer à l'étape 1)
8. Vérifier de nouveau si les vis d'arrêt de l'arbre sont bien serrées.

INSTRUCTIONS BASE PIVOTANTE

Les discussions sur la poignée de serrage sont un sens de fil Gaucher, tournant vers la droite aurait desserrer l'assemblage et en tournant dans le sens antihoraire serait serrer l'ensemble. La poignée de serrage est à ressort, de sorte que vous aurez besoin pour soulever et tourner tout l'ensemble de la poignée de serrage quand repositioning comme pour être un lecteur de clé à cliquet.

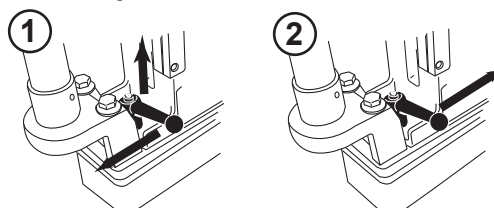
Pour desserrer l'Assemblée pivotant de la plaque

1. Soulevez la pince poignée Assemblée, tourné dans le sens antihoraire et la libération. Cela repositionner le levier pour plus de mouvement.
2. Avec la pince poignée Assemblée maintenant, tirez la pince poignée Assemblée aiguilles d'une montre. Avec ce qui est un fil de gaucher, ce sera desserrer l'assemblage.
3. Si plus de Voyage est nécessaire, soulevez la poignée de serrage, tourner dans le sens antihoraire et la libération.
4. Tirez à nouveau l'ensemble poignée de serrage dans le sens horaire. Cette quantité de mouvement devrait être suffisant pour repositionner l'exercice, plus de mouvement que cela peut causer l'aimant de se désengager de la base de forage.



Pour Serrer l'Assemblée pivotant de la plaque

1. Soulevez la pince poignée Assemblée, tourné dans le sens antihoraire et la libération. Cela repositionner le levier pour plus de mouvement.
2. Avec la pince poignée Assemblée maintenant, tirez la pince poignée Assemblée aiguilles d'une montre. Avec ce qui est un fil de gaucher, ce sera desserrer l'assemblage.
3. Si plus de Voyage est nécessaire, soulevez la poignée de serrage, tourner dans le sens antihoraire et la libération.
4. Tirez à nouveau l'ensemble poignée de serrage dans le sens horaire. Cette quantité de mouvement devrait être suffisant pour repositionner l'exercice, plus de mouvement que cela peut causer l'aimant de se désengager de la base de forage.



AVERTISSEMENT:

Poignée de serrage doivent être bien serrés avant de découper des trous
Des dommages matériels ou des blessures pourraient survenir

CONSEILS POUR AMÉLIORER LE FONCTIONNEMENT

1. Garder l'intérieur de la fraise Hougen exempt de copeaux. Les copeaux gênent le perçage jusqu'à la profondeur maximum, peuvent empêcher l'huile de s'écouler librement et peuvent entraîner une cassure de la fraise.
2. Garder la pièce à traiter, la machine, l'arbre et la fraise Hougen exempts de copeaux et de saleté.
3. Serrer régulièrement tous les boulons et fixations.
4. Il est fortement recommandé d'utiliser un fluide de perçage à faible viscosité (de préférence du fluide de perçage Hougen).
5. Vérifier de temps en temps le débit d'écoulement du fluide de perçage. L'absence de fluide de perçage peut entraîner un blocage de la fraise Hougen en cours de perçage, provoquer un coincement de la débouchure et réduire fortement la durée de service de la fraise.
6. Toujours démarrer le perçage en exerçant une pression d'avance légère, puis l'augmenter suffisamment pour atteindre la vitesse maximum de perçage.
7. Relâcher quelque peu la pression lorsque la fraise commence à ressortir à la fin du perçage.
8. Garder les queues d'aronde de la coulisse, les cales en laiton et la crémaillère d'avance lubrifiées et exemptes de copeaux et de saleté.
9. Lorsque la débouchure reste accrochée dans la fraise, arrêter le moteur et descendre la fraise sur une surface plate. Normalement, cela remet droite une débouchure mal positionnée, ce qui lui permet d'être éjectée.
10. Lors du perçage de trous de grand diamètre ou profonds, il peut falloir s'arrêter au milieu de l'opération pour ajouter du fluide de perçage et retirer les copeaux des alentours de l'arbre. (Pour ce faire, **NE PAS** relever la fraise ni la sortir du trou, sous peine de faire passer des copeaux sous ses dents, ce qui rendrait difficile le redémarrage du perçage.)

La cause n° 1 de cassure de la fraise et d'émoussement prématuré des dents est une pression d'avance trop faible

Trop limiter la pression sur la fraise lors du perçage ne fait que raccourcir la durée de service de l'outil.

SOLUTIONS AUX PROBLÈMES DE PERÇAGE

1. Problème : La base magnétique ne tient pas efficacement sur la pièce à traiter.

- a. Cause : Copeaux ou saleté sous l'aimant.
Solution : Éliminer les copeaux et la saleté de la zone.
- b. Cause : Surface irrégulière sur le dessous de l'aimant ou sur la pièce à traiter.
Solution : Selon le besoin, meuler légèrement en surface le dessous de l'aimant pour l'aplanir et/ou limer les imperfections de la surface de travail pour la rendre plate.

2. Problème : La fraise a tendance à dériver sur la surface de la pièce à traiter.

- a. Cause : Base magnétique ne tenant pas efficacement.
Solution : Voir les causes et solutions au n° 1 ci-dessus.
- b. Cause : Trop de pression d'avance au début du perçage.
Solution : Exercer une pression légère jusqu'à ce qu'une rainure soit percée. La rainure sert ensuite de stabilisateur.
- c. Cause : Pilote usé.
Solution : Remplacer le pilote.
- d. Cause : Fraise usée.
Solution : Remplacer la fraise ou la faire réaffûter.

3. Problème : Trous non ronds.

- a. Cause : Roulement du support d'appui de l'arbre et/ou collier d'éjecteur usés.
Solution : Remplacer : (une usure de quelques dixièmes de millimètre seulement est acceptable.)
- b. Cause : Support d'appui mal aligné.
Solution : Réaligner le support d'appui.
- c. Cause : Vis d'arrêt de l'arbre mal alignée ou desserrée.
Solution : Serrer la vis d'arrêt.

4. Problème : Le moteur et la coulisse ne restent pas en position

- a. Cause : Cales trop desserrées.
Solution : Régler les cales.

5. Problème : Avance irrégulière ou intermittente.

- a. Cause : Pignon et/ou crémaillère usés.
Solution : Remplacer les pièces usées.

6. Problème : Le moteur ne tourne pas lorsqu'on appuie sur le bouton de DÉMARRAGE de moteur.

- a. Cause : L'aimant n'est pas sous tension.
Solution : Appuyer sur le bouton de MISE SOUS TENSION d'aimant.
- b. Cause : Aimant sur une surface de travail rugueuse ou sale et commutateur de sécurité pas entièrement enfoncé.
Solution : Limer la surface de travail pour la rendre plate et éliminer tous les copeaux et l'huile de sous l'aimant.
- c. Cause : Pas d'alimentation.
Solution : Vérifier la source d'alimentation et les rallonges.
- d. Cause : Balais du moteur usés.
Solution : Remplacer les balais.
- e. Cause : Commutateur de DÉMARRAGE de moteur défectueux.
Solution : Renvoyer l'unité à un centre de réparations agréé pour faire remplacer le commutateur.

REMARQUE : S'il est impossible de corriger une quelconque défaillance après avoir essayé les solutions ci-dessus, ne pas tenter d'utiliser la perceuse. Renvoyer l'unité à l'usine ou à un centre de réparations agréé pour la faire réviser.

GARANTIE LIMITÉE COMMERCIALE / INDUSTRIELLE

Hougen Manufacturing, Inc. garantit ses foreuses magnétiques portatives, ses foreuses à rail Trak-Star, sa scie hydraulique à rail et ses shakers à peinture Tornado II pendant deux (2) ans, ses perforatrices électro-hydrauliques pour un (1) an, et sa scie Husqvarna et autres produits pendant quatre-vingt-dix (90) jours à compter de la date d'achat contre les défauts dus à un vice de matériau ou de fabrication et réparera ou remplacera (à sa discrétion) sans frais les articles retournés. Cette garantie est nulle et non avenue si l'élément a été endommagé par accident ou du fait d'un usage déraisonnable, d'une négligence, d'un entretien inadéquat, ou d'autres causes ne découlant pas de défauts de matériau ou de fabrication. Aucune autre garantie expresse n'est donnée ni autorisée. Hougen Manufacturing, Inc. ne donne aucune garantie implicite de qualité marchande ou d'adaptation à un usage particulier pour quelque période que ce soit au-delà de la garantie expresse et ne peut être tenue responsable des dommages accessoires ou indirects. Certains pays ou états ne permettent pas d'exclure les dommages accessoires ou indirects ou de limiter la durée d'application d'une garantie implicite et, si cet achat est régi par les lois d'un tel pays ou état, l'exclusion et la limitation mentionnées ci-dessus peuvent ne pas s'y appliquer. Cette garantie donne des droits juridiques spécifiques et d'autres droits qui varient d'un pays ou état à un autre peuvent aussi exister.

Pour bénéficier du service de garantie, renvoyer l'élément ou les éléments en port payé au plus proche centre de réparations sous garantie agréé par l'usine ou à Hougen Manufacturing, Inc., 3001 Hougen Drive, Swartz Creek, Michigan 48473 (USA).

Les perceuses Hougen ne sont garanties que contre les défauts de fabrication. La garantie ne peut éventuellement s'appliquer qu'après une inspection effectuée par Hougen Manufacturing.

CETTE GARANTIE REMPLACE TOUTE AUTRE GARANTIE, EXPRESSE OU IMPLICITE, Y COMPRIS TOUTE GARANTIE DE QUALITÉ MARCHANDE OU D'ADAPTATION À UN USAGE PARTICULIER.

Les détails des photographies et des caractéristiques techniques indiquées sont exacts au moment de l'impression de ce document. Le fabricant se réserve le droit d'apporter des améliorations et des modifications sans préavis. Hougen, Rotabroach et Hougen-Edge sont des marques de commerce exclusives de Hougen Manufacturing Inc.

CENTRES DE RÉPARATIONS SOUS GARANTIE AGRÉÉS PAR HOUGEN

Les employés des centres de réparations sous garantie agréés par Hougen ont été formés en usine pour réviser et réparer adéquatement les perceuses magnétiques portatives Hougen. Pour trouver le centre de réparations sous garantie agréé le plus proche, prière d'aller sur :

www.hougen.com



Hougen Manufacturing, Inc.
3001 Hougen Drive • Swartz Creek, MI 48473
Phone (810) 635-7111
www.hougen.com • info@hougen.com
© 2024 Hougen Manufacturing, Inc.




Hougen®

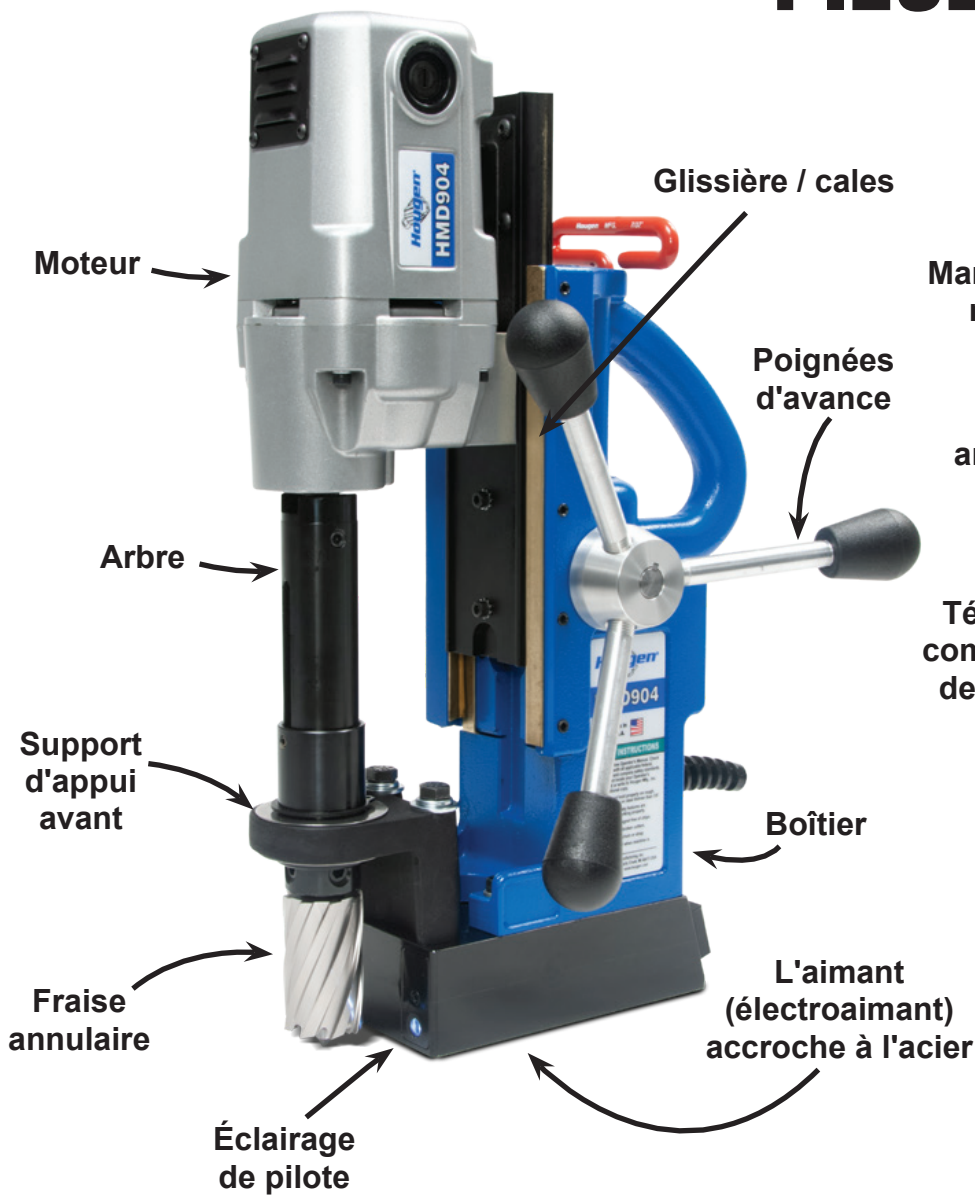
UTILISATION DES PERCEUSES MAGNETIQUES EN TOUTE SECURITE

Français

***Un guide général des
procédures d'utilisation en
toute sécurité***



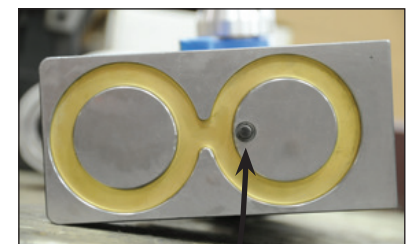
PIÈCES GÉNÉRALES



Panneau de commande typique



Dessous de l'aimant



Piston du commutateur de sécurité

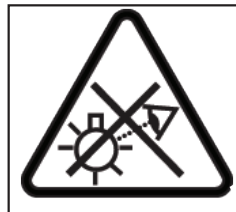
LA SÉCURITÉ AVANT TOUT



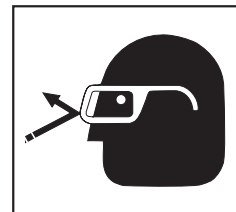
Les fraises sont tranchantes. Porter des gants pour installer la fraise sur l'arbre ou l'en retirer. Ne pas saisir une fraise en rotation.



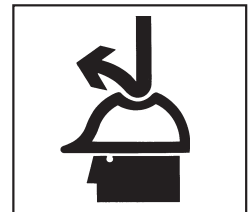
Pour éviter toute décharge électrique, ne pas utiliser les outils électriques près de zones humides, ni là où ils risquent de se mouiller.



Ne pas fixer l'éclairage de travail.



Toujours porter des lunettes de protection lors de l'utilisation d'outils de perçage, ou à proximité d'une opération de perçage.



La débouchure est éjectée à la fin du perçage. Ne pas orienter la fraise ou l'arbre de telle manière que la débouchure risque de frapper quelqu'un aux alentours ou en dessous lorsqu'elle est éjectée.

Une perceuse magnétique peut être un outil très utile pour percer des trous. Lire et respecter toutes les procédures de sécurité décrites dans le manuel d'utilisation et conformément à la politique de l'entreprise.

CONSIGNES DE SÉCURITÉ IMPORTANTES



AVERTISSEMENT :

Lire tous les avertissements, consignes, illustrations et caractéristiques techniques fournis avec cet outil électrique. Si toutes les consignes énumérées ci-dessous ne sont pas suivies, il y a risque de décharge électrique, d'incendie ou de blessures graves.

1. Sécurité de la zone de travail

- Maintenir la zone de travail propre et bien éclairée. Les établis encombrés et les zones sombres sont propices aux accidents.
- Ne pas utiliser d'outils électriques s'il y a risque d'explosion, par exemple en présence de liquides, de gaz ou de poussières inflammables. Les outils électriques génèrent des étincelles qui risquent d'enflammer les poussières ou les émanations.
- Maintenir les enfants et les curieux à l'écart lors de l'utilisation d'un outil électrique. Les distractions peuvent faire perdre la maîtrise de l'outil.

2. Sécurité électrique

- Les fiches de l'outil électrique doivent correspondre à la prise. Ne jamais modifier la fiche de quelque manière que ce soit. Ne pas utiliser d'adaptateurs avec les outils électriques mis à la terre. Les fiches et prises correspondantes non modifiées réduiront le risque de décharge électrique.
- Éviter tout contact corporel avec les surfaces mises à la terre telles que les tuyaux, les radiateurs, les cuisinières et les réfrigérateurs. Le risque de décharge électrique augmente si le corps est relié à la terre.
- Ne pas exposer les outils électriques à la pluie ou à l'humidité. L'eau pénétrant dans un outil électrique augmente le risque de décharge électrique.
- Ne pas malmenier le cordon. Ne jamais se servir du cordon pour porter ou débrancher l'outil électrique. Tenir le cordon à l'écart de la chaleur, de l'huile, des arêtes tranchantes et des pièces en mouvement. Les cordons endommagés ou emmêlés augmentent le risque de décharge électrique.
- Pour utiliser un outil électrique à l'extérieur, se servir d'une rallonge d'extérieur conçue pour être employée à l'extérieur. L'utilisation d'un cordon conçu pour l'extérieur réduit le risque de décharge électrique.
- S'il est inévitable d'utiliser un outil électrique dans un endroit humide, utiliser une alimentation protégée par un disjoncteur différentiel de fuite à la terre (DDFT). L'utilisation d'un DDFT réduit le risque de décharge électrique.

3. Sécurité personnelle

- Rester vigilant, faire attention et faire preuve de bon sens lors de l'utilisation d'un outil électrique. Ne pas utiliser un outil électrique en étant fatigué ou sous l'effet de drogues, de l'alcool ou de médicaments. Un instant d'inattention lors de l'utilisation d'outils électriques peut entraîner des blessures graves.
- Utiliser un équipement de protection individuelle. Toujours porter des lunettes de protection. Un équipement de protection tel qu'un masque antipoussière, des chaussures à semelle antidérapante, un casque de sécurité ou une protection auditive utilisé dans les conditions appropriées réduira les blessures.

- Prévenir les démarrages involontaires. S'assurer que le commutateur est désactivé avant de brancher l'outil à la source d'alimentation ou au bloc-batterie, de le ramasser ou de le porter. Porter des outils électriques avec le doigt sur le commutateur ou brancher ces outils avec le commutateur activé invite les accidents.
- Retirer les clés de réglage avant de mettre l'outil électrique sous tension. Une clé qui reste attachée à une pièce rotative de l'outil électrique peut entraîner des blessures.
- Ne pas trop étendre les bras. Toujours maintenir l'appui et l'équilibre corrects. Cela donne une meilleure maîtrise de l'outil électrique dans des situations imprévues.
- Porter des vêtements adaptés. Ne pas porter de vêtements amples ni de bijoux. N'approcher ni les cheveux ni les vêtements des pièces en mouvement. Les vêtements amples, les bijoux et les cheveux longs peuvent être pris dans les pièces en mouvement.
- Si des appareils sont fournis pour le raccordement d'équipements d'extraction et de captage des poussières, s'assurer qu'ils sont branchés et utilisés correctement. L'utilisation d'un dispositif de captage des poussières peut réduire les risques liés aux poussières.
- Ne pas laisser la familiarité due à un usage fréquent des outils mener au relâchement et à la négligence des principes de sécurité. Une action négligente peut causer des blessures graves en une fraction de seconde.
- Toujours utiliser une chaîne de sécurité. La monture peut céder.

4. Utilisation et entretien des outils électriques

- Ne pas forcer l'outil électrique. Utiliser l'outil électrique adapté à l'application. L'outil électrique correct permet de mieux faire le travail, en plus grande sécurité, à la vitesse pour laquelle il est prévu.
- Ne pas utiliser l'outil électrique si le commutateur ne permet pas de le mettre sous ou hors tension. Tout outil électrique ne pouvant pas être commandé par le commutateur est dangereux et doit être réparé.
- Débrancher la fiche de la source d'alimentation ou retirer le bloc-batterie, s'il est détachable, de l'outil électrique avant d'effectuer tout réglage, de changer d'accessoire ou de remettre les outils électriques. De telles mesures de sécurité préventives réduisent le risque de démarrage accidentel de l'outil. (Suite page 4)

Conserver tous les avertissements et consignes pour future référence.



CONSIGNES DE SÉCURITÉ IMPORTANTES

- d) Remiser les outils électriques non utilisés hors de portée des enfants et ne laisser personne non familiarisée avec l'outil électrique ou ces consignes utiliser l'outil électrique. *Les outils électriques sont dangereux aux mains des utilisateurs non formés.*
- e) Entretien les outils électriques et les accessoires. Vérifier la présence d'un mauvais alignement ou de pièces en mouvement qui se coincent, la rupture des pièces et toute autre situation risquant de nuire au fonctionnement des outils. En cas de dommages, faire réviser l'outil électrique avant son utilisation. *De nombreux accidents sont causés par des outils électriques mal entretenus.*
- f) Maintenir les outils de perçage affûtés et propres. *Les outils de perçage bien entretenus avec des bords tranchants affûtés sont moins susceptibles de se coincer et sont plus faciles à maîtriser.*
- g) Utiliser l'outil électrique, les accessoires, les forets et toute autre pièce conformément aux consignes, en tenant compte des conditions de travail et de la tâche à effectuer. *L'utilisation de l'outil électrique pour un usage autre que celui prévu peut entraîner des situations dangereuses.*
- h) Maintenir les poignées et surfaces de préhension propres et exemptes d'huile et de graisse. *Des poignées ou surfaces de préhension glissantes ne permettent pas de manier et de contrôler l'outil de manière sécuritaire dans les situations inattendues.*

5. Entretien

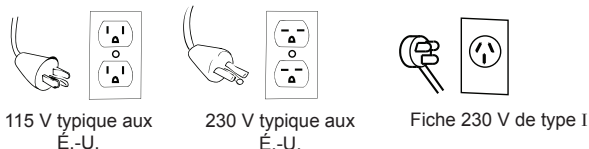
- a) Confier l'entretien de l'outil électrique à du personnel de réparation qualifié qui n'utilisera que des pièces de rechange identiques. *Cela assurera la préservation de la sécurité de l'outil électrique.*

CONSIGNES DE SÉCURITÉ SUPPLÉMENTAIRES

Sécurité du branchement électrique

Cette perceuse magnétique est conçue pour être utilisée sur du 115 V c.a. ou du 230 V à 50–60 Hz. Ne pas essayer de se servir de la perceuse sur des sources d'alimentation ayant d'autres caractéristiques nominales que celles-ci.

Fiches et prises



Des raccordements électriques humides présentent un risque d'électrocution. Pour empêcher le fluide de perçage de couler le long du cordon et d'entrer en contact avec la fiche ou la prise d'alimentation, réaliser une boucle d'égouttement comme illustré. Surélever également les rallonges ou les branchements aux coffrets électriques.



Rallonges

Utiliser uniquement des rallonges à 3 fils munies d'une fiche à 3 contacts avec mise à la terre et de prises tripolaires compatibles avec la fiche de l'outil. Remplacer ou réparer les cordons endommagés. S'assurer que le conducteur est d'un calibre suffisant pour éviter une chute de tension excessive qui entraînerait une coupure de courant et risquerait d'endommager le moteur.

| LONGUEUR DE CORDON | CALIBRE DE FIL RECOMMANDÉ | CALIBRE DE FIL RECOMMANDÉ |
|--------------------------------|---------------------------|---------------------------|
| | MOTEUR 115 V 10 À 12 A | MOTEUR 230 V 5 À 6 A |
| Jusqu'à 7,6 m (25') | 16 | 18 |
| De 7,9 à 15,2 m (26 à 50') | 14 | 18 |
| De 15,5 à 30,5 m (51 à 100') | 10 | 16 |
| De 30,8 à 61,0 m (101 à 200') | 8 | 14 |
| De 61,3 à 91,4 m (201 à 300') | 6 | 12 |
| De 91,7 à 152,4 m (301 à 500') | 4 | 10 |

Utilisation des rallonges d'extérieur

Lorsque l'outil est utilisé à l'extérieur, se servir uniquement de rallonges prévues pour un usage extérieur et marquées comme telles.

Consignes de sécurité supplémentaires

L'arbre et la fraise ne doivent jamais être employés comme main courante ou poignée. N'approcher les mains et les vêtements d'aucune pièce en mouvement. Ne pas utiliser les fraises Hougen là où la débouchure éjectée risque de causer des blessures (débouchure éjectée à la fin du perçage). Suivre également toutes les instructions d'utilisation. Ne pas percer de surface qui pourrait renfermer un câblage électrique sous tension. L'entrée en contact avec un fil sous tension lors du perçage risque de mettre sous tension les pièces métalliques exposées de la perceuse. Retirer les copeaux enroulés autour de la fraise et de l'arbre après chaque trou. Après avoir arrêté le moteur et coupé l'alimentation, saisir les copeaux avec des gants en cuir ou des pinces et tirer tout en faisant tourner dans le sens inverse des aiguilles d'une montre. Si la fraise se coince dans la pièce à traiter, arrêter immédiatement l'unité pour éviter les blessures. Débrancher la perceuse de la source d'alimentation et libérer la fraise coincée en faisant tourner l'arbre dans le sens inverse des aiguilles d'une montre. Ne jamais essayer de libérer la fraise coincée en démarrant le moteur. Confier l'entretien exclusivement à un centre de réparations agréé.

Utilisation près d'un équipement de soudage

NE PAS utiliser cette unité sur une surface de travail où une opération de soudage est en cours. L'unité risquerait d'être gravement endommagée, en particulier le cordon d'alimentation. L'opérateur pourrait aussi être blessé.

Disjoncteur (le cas échéant)

Le remplacement du disjoncteur par un autre d'intensité nominale plus élevée ou le contournement du disjoncteur est déconseillé et annulera la garantie du produit.

Fonctionnement du disjoncteur

(le cas échéant)

Le disjoncteur est un disjoncteur thermique. Lorsqu'il atteint la température nominale supérieure, il se déclenche et cause l'arrêt de l'unité. Il s'agit d'un dispositif de protection, qui peut être réarmé après 5 à 10 minutes. Pour réarmer le disjoncteur, renfoncer son bouton. S'il ne se réarme pas, laisser l'unité refroidir un peu plus longtemps, jusqu'à ce que le bouton puisse être enfoncé et reste en place.

Conserver tous les avertissements et consignes pour future référence.

INSTRUCTIONS RELATIVES À LA CHAÎNE DE SÉCURITÉ

Il faut **TOUJOURS** se servir d'une chaîne de sécurité à chaque utilisation de la perceuse.

La chaîne de sécurité évite à la perceuse de chuter, dans le cas d'une panne de courant ou si l'aimant se détache de la surface de travail. La chaîne de sécurité se fixe à la perceuse en s'introduisant dans la bague en D à l'arrière de l'unité, puis en continuant à s'enrouler autour du matériau et/ou de la surface de travail. Régler la chaîne de sorte qu'elle soit tendue et immobilisée.



FONCTIONNEMENT DES COMMANDES AVANT L'INSTALLATION DE LA FRAISE HOUGEN



PLAQUE DE COMMUTATEURS DU PANNEAU DE COMMANDE

IMPORTANT : Avant d'allumer la machine, il est important que l'opérateur comprenne les fonctions interdépendantes du **COMMUTATEUR DE SÉCURITÉ**, du **COMMUTATEUR D'AIMANT** et des **COMMUTATEURS DE MOTEUR**. **LIRE LES INSTRUCTIONS SUR LE TÉMOIN LUMINEUX DE COMMUTATEUR DE SÉCURITÉ.**

COMMUTATEUR DE SÉCURITÉ — Situé dans la base de la perceuse. Permet au moteur de fonctionner uniquement lorsque l'aimant est correctement installé sur une surface de travail propre et plate. Coupe le moteur si le commutateur détecte que l'unité est soulevée. (Voir la page 2 pour l'emplacement du commutateur de sécurité.)

COMMUTATEUR DE MISE SOUS TENSION/MISE HORS TENSION D'AIMANT — Met sous tension et met hors tension la base magnétique et active le commutateur de sécurité. Le moteur peut maintenant être démarré en appuyant sur le commutateur de DÉMARRAGE de moteur.

COMMUTATEURS DE DÉMARRAGE/ARRÊT DE MOTEUR — Démarre et arrête le moteur.

1. Placer la perceuse magnétique sur une plaque d'acier propre et plate, épaisse d'au moins 9,5 mm (3/8").
2. Brancher l'unité à une source d'alimentation c.a. appropriée. **NE PAS utiliser d'alimentation c.c.**
3. Repérer le **commutateur de MISE SOUS TENSION** et de **MISE HORS TENSION** d'aimant et le commutateur d'**ARRÊT** et de **DÉMARRAGE** de moteur.
4. **REMARQUE :** Une coupure de courant met la base magnétique hors tension et désactive le moteur. Lorsque le courant est rétabli, l'aimant se remet sous tension mais il faut appuyer sur le commutateur de **DÉMARRAGE** de moteur pour que le moteur démarre.

TÉMOIN LUMINEUX DE COMMUTATEUR DE SÉCURITÉ

**** LE TÉMOIN DE COMMUTATEUR DE SÉCURITÉ S'ALLUME ET RESTE ALLUMÉ PENDANT QUE LA PERCEUSE EST BRANCHÉE ****

Le témoin lumineux de commutateur de sécurité est un dispositif de sécurité standard sur les perceuses magnétiques portatives Hougén. Il a pour rôle d'informer l'utilisateur de l'existence d'une situation dangereuse. Son rôle est d'informer l'utilisateur que le détecteur de levée est activé.

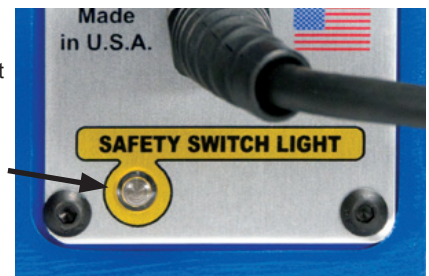
Si le témoin est vert :

Dans les conditions normales de fonctionnement, le témoin de commutateur de sécurité est vert. Les commutateurs de « marche » et d'« arrêt » du moteur fonctionnent normalement.

Si le témoin est rouge :

Le commutateur de sécurité présente un problème qui doit être corrigé. Causes possibles :

- Le commutateur de sécurité est défectueux. Faire réparer la perceuse.
- Surface de travail ou matériau irrégulier. Vérifier que la surface de travail est plate.
- Saleté ou copeaux sous l'aimant. Nettoyer la surface de travail.



PLAQUE DE COMMUTATEURS DU PANNEAU DE COMMANDE

Test du commutateur de sécurité :

Avant d'utiliser la perceuse, toujours tester le commutateur de sécurité. Pour tester le commutateur, placer la perceuse sur une surface de travail et la brancher à la prise. Basculer la perceuse de façon à ce que l'aimant se soulève de la surface de travail. Le témoin du commutateur de sécurité doit passer du vert au rouge. Un témoin qui reste vert ou rouge indique un problème de commutateur de sécurité qu'il est nécessaire de corriger. (p. ex. commutateur de sécurité défectueux, piston de sécurité dans la base de l'aimant bloqué, etc.) Corriger et refaire un test avant d'utiliser la perceuse.

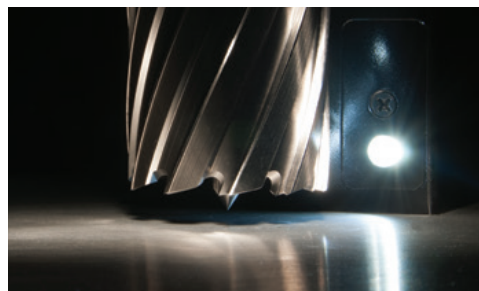
Le matériau doit être épais d'au moins 9,5 mm (3/8"). Si le matériau est épais de moins de 9,5 mm (3/8"), l'aimant ne « tiendra » pas bien.

HOUGEN MANUFACTURING RECOMMANDE DE CORRIGER LES PROBLÈMES DE SORTE QUE LE TÉMOIN SOIT VERT. AINSI, L'UNITÉ POURRA ÊTRE UTILISÉE EN TOUTE SÉCURITÉ.

Pour toute question, prière de s'adresser au service technique de Hougén Manufacturing au (810) 635-7111.

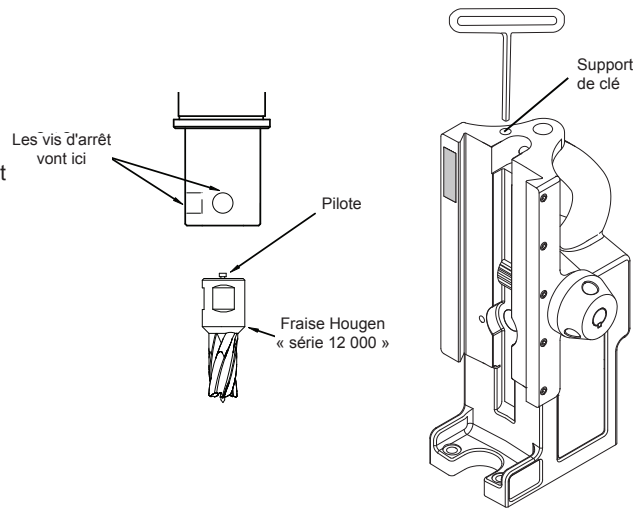
COMMUTATEUR D'ÉCLAIRAGE DE PILOTE

L'éclairage de pilote est un dispositif standard sur les perceuses magnétiques portatives Hougén. Il a pour rôle d'illuminer la zone de la surface de travail pour mieux voir le pilote.



INSTALLATION DE LA FRAISE HOUGEN DANS L'ARBRE

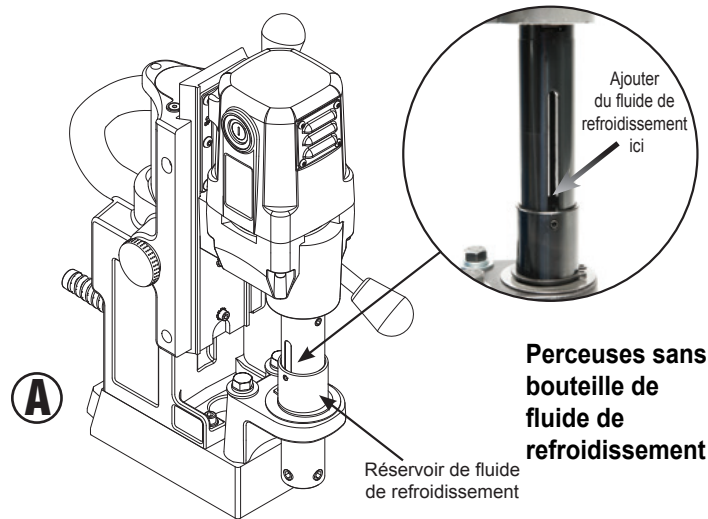
1. Débrancher l'unité de la source d'alimentation et retirer la clé à poignée en T du support, en haut de la perceuse.
2. Coucher la perceuse sur le côté avec les poignées d'avance vers le haut ou s'assurer que l'arbre est dégagé du socle si l'unité est en position normale de fonctionnement.
3. Tourner les poignées d'avance jusqu'à ce que les vis d'arrêt de montage de fraise soient exposées et retirer complètement ces vis.
4. Introduire le pilote approprié dans le côté tige de la fraise Hougen.
5. Insérer la fraise Hougen jusqu'à ce que le méplat de sa tige soit aligné avec les trous des vis d'arrêt et soit exactement perpendiculaire à l'axe de ces trous.
6. Introduire les vis d'arrêt et les serrer. Vérifier que la fraise est bien fixée.



UTILISATION DU RÉSERVOIR DE FLUIDE DE PERÇAGE

POUR DES RÉSULTATS OPTIMAUX, TOUJOURS UTILISER DU FLUIDE DE REFOUILLISSEMENT.

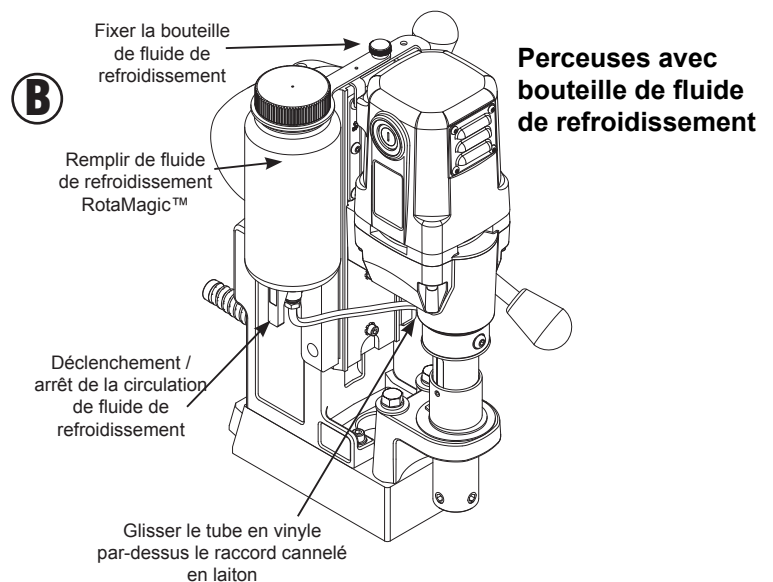
1. La perceuse magnétique étant en position de fonctionnement, tourner les poignées d'avance de sorte que la fraise et le pilote se trouvent au-dessus de la surface de travail.
2. L'aimant étant **SOUS TENSION** et le moteur **ARRÊTÉ**,
 - A) Sur les perceuses sans bouteille de fluide de refroidissement, remplir le réservoir d'arbre en introduisant le fluide de perçage RotaMagic™ par les fentes de l'arbre. **Le fluide de perçage ne doit pas fuir à l'extérieur.**
 - B) Sur les perceuses avec bouteille de fluide de refroidissement, attacher la bouteille de fluide de refroidissement comme indiqué sur le schéma et la remplir de fluide de refroidissement.
3. Tester le débit de l'ensemble arbre/fraise/pilote (aimant **SOUS TENSION** - moteur **ARRÊTÉ**) en faisant avancer l'arbre doucement vers la surface de travail jusqu'à ce que le pilote soit poussé vers le haut dans la fraise, permettant ainsi au fluide de s'écouler lentement sur la surface de travail à travers la rainure du pilote.



Perceuses sans bouteille de fluide de refroidissement

4. Pour que la lubrification soit correcte, tout le fluide présent dans le réservoir doit se vider sur la surface de travail en au moins 15 secondes et au plus 30 secondes.
5. Le réservoir de l'arbre contient suffisamment de fluide de refroidissement pour le perçage d'un trou environ.

* Cette méthode d'utilisation du fluide de refroidissement peut aussi être employée dans la version avec bouteille de fluide de refroidissement fixée, si la bouteille est perdue.
6. Sur les perceuses avec bouteille de fluide de refroidissement, utiliser le levier d'activation/désactivation de la bouteille de fluide de refroidissement pour régler le débit du fluide de refroidissement.
7. Pour le perçage de trous à l'horizontale ou en surplomb, utiliser du lubrifiant Slick-Stik™.



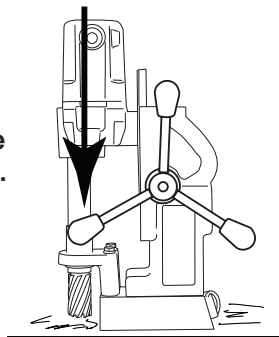
INSTRUCTIONS D'UTILISATION

Ne jamais oublier que la puissance d'attraction de l'aimant est directement liée à l'épaisseur de la pièce à traiter et à l'état de sa surface. Sachant que l'attraction magnétique diminue si le matériau est fin ou si la surface est rugueuse, la perceuse doit être fixée mécaniquement à la pièce à traiter lorsqu'un matériau fin (9,5 mm [3/8"] ou moins) ou présentant une surface irrégulière va être percé.

1. S'assurer que la pièce à traiter et le dessous de l'aimant sont exempts de copeaux, d'huile, etc.
2. Vérifier que le commutateur de sécurité fonctionne correctement. (Voir la section relative au témoin du commutateur de sécurité.)
3. Positionner la perceuse en la faisant glisser et en faisant avancer l'arbre doucement de sorte que la pointe du pilote touche le centre du trou à percer.
4. **Fixer l'unité à la pièce à traiter à l'aide de la chaîne de sécurité.**
5. Mettre l'aimant « SOUS TENSION » en appuyant sur le commutateur de MISE SOUS TENSION d'aimant.
6. Tourner la poignée d'avance, en relevant la fraise jusqu'à ce que le pilote se trouve au-dessus de la surface de travail.
7. Remplir le réservoir de fluide de refroidissement ou la bouteille de fluide de refroidissement fixée, le cas échéant.
8. S'assurer que la fraise est dégagée de la pièce à traiter et mettre le moteur en « MARCHÉ » en appuyant sur le commutateur de DÉMARRAGE de moteur.
9. Avancer la fraise Hougen lentement dans la pièce à traiter. Attendre que le perçage soit amorcé sur une profondeur d'environ 1,6 mm (1/16") avant d'appliquer la pleine puissance aux poignées d'avance.
10. Relâcher quelque peu la pression d'avance lorsque la fraise commence à ressortir.
11. Lorsque le perçage est terminé, « ARRÊTER » le moteur en appuyant sur le commutateur d'ARRÊT de moteur. Tourner les poignées d'avance pour relever l'arbre et ainsi éjecter la débouchure si elle n'est pas déjà tombée en se détachant.
12. Mettre l'aimant « HORS TENSION » en appuyant sur le commutateur de MISE HORS TENSION d'aimant.
13. **Débrancher l'unité de la source d'alimentation.**
14. Si nécessaire, retirer les copeaux de la fraise et de l'aimant, de préférence à l'aide de gants de travail en cuir et/ou de pinces. Détacher la chaîne de sécurité. L'unité est alors prête à être déplacée vers une nouvelle position de perçage.

Lors du perçage, en particulier à l'horizontale ou en surplomb, toujours appliquer la pression d'avance vers la surface de travail. Ne jamais la retirer de la surface de travail car cela peut réduire la puissance de maintien magnétique.

Avancer vers la surface de travail à l'aide des poignées.



Ne jamais éloigner les poignées de la surface de travail.



ENTRETIEN

Afin de minimiser l'usure des pièces en mouvement et d'améliorer le fonctionnement et la durée de service de cette perceuse magnétique, les opérations d'entretien suivantes doivent être effectuées périodiquement, en fonction de l'utilisation.

1. Serrer régulièrement toutes les fixations et remplacer toutes les pièces usées.
2. Vérifier les balais du moteur et les remplacer s'ils sont usés.
3. Vérifier le cordon d'alimentation et le cordon qui relie le panneau au moteur et, s'ils sont craquelés ou effilochés, les renvoyer à un centre de réparations agréé pour qu'ils soient remplacés.
4. Appliquer de la graisse sur les queues d'aronde de la coulisse, les cales en laiton et la crémaillère d'avance. Pour obtenir les meilleurs résultats, utiliser de la graisse Shell Cyprina-RA ou l'équivalent.
5. Retirer l'arbre et garnir le roulement du support d'appui avant de graisser. Utiliser de la graisse Shell Cyprina-RA ou l'équivalent.
6. Le piston du commutateur de sécurité doit être propre et lubrifié régulièrement avec de l'huile pénétrante. Selon les besoins, séparer l'aimant de la perceuse et enlever l'ensemble commutateur de sécurité de l'aimant. Sortir le piston de l'aimant en poussant. Nettoyer tous les débris qui se trouvent à l'intérieur et autour du trou de piston dans l'aimant. Enduire le piston de produit antigrippant. Remettre le piston et l'ensemble commutateur de sécurité, puis serrer les vis. Remettre l'aimant sur le boîtier de la perceuse.



CONSEILS POUR AMÉLIORER LE FONCTIONNEMENT

1. Garder l'intérieur de la fraise Hougén exempt de copeaux. Les copeaux gênent le perçage jusqu'à la profondeur maximum, peuvent empêcher l'huile de s'écouler librement et peuvent entraîner une cassure de la fraise.
2. Garder la pièce à traiter, la machine, l'arbre et la fraise Hougén exempts de copeaux et de saleté.
3. Serrer régulièrement tous les boulons et fixations.
4. Il est fortement recommandé d'utiliser un fluide de perçage à faible viscosité (de préférence du fluide de perçage Hougén).
5. Vérifier de temps en temps le débit d'écoulement du fluide de perçage. L'absence de fluide de perçage peut entraîner un blocage de la fraise Hougén en cours de perçage, provoquer un coincement de la débouchure et réduire fortement la durée de service de la fraise.
6. Toujours démarrer le perçage en exerçant une pression d'avance légère, puis l'augmenter suffisamment pour atteindre la vitesse maximum de perçage.
7. Relâcher quelque peu la pression lorsque la fraise commence à ressortir à la fin du perçage.
8. Garder les queues d'aronde de la coulisse, les cales en laiton et la crémaillère d'avance lubrifiées et exemptes de copeaux et de saleté.
9. Lorsque la débouchure reste accrochée dans la fraise, arrêter le moteur et descendre la fraise sur une surface plate. Normalement, cela remet droite une débouchure mal positionnée, ce qui lui permet d'être éjectée.
10. Lors du perçage de trous de grand diamètre ou profonds, il peut falloir s'arrêter au milieu de l'opération pour ajouter du fluide de perçage et retirer les copeaux des alentours de l'arbre. (Pour ce faire, **NE PAS** relever la fraise ni la sortir du trou, sous peine de faire passer des copeaux sous ses dents, ce qui rendrait difficile le redémarrage du perçage.)

La cause n° 1 de cassure de la fraise et d'émoussement prématuré des dents est une pression d'avance trop faible

Trop limiter la pression sur la fraise lors du perçage ne fait que raccourcir la durée de service de l'outil.

***En cas de doute, appelez-nous...
Nous serons ravis de vous aider !***

**(810) 635-7111
tech@hougen.com**



HOUGEN MANUFACTURING, INC.

3001 Hougen Drive • Swartz Creek, MI 48473 USA
Ph: (810) 635-7111 • Fax: (810) 635-8277
info@hougen.com • www.hougen.com