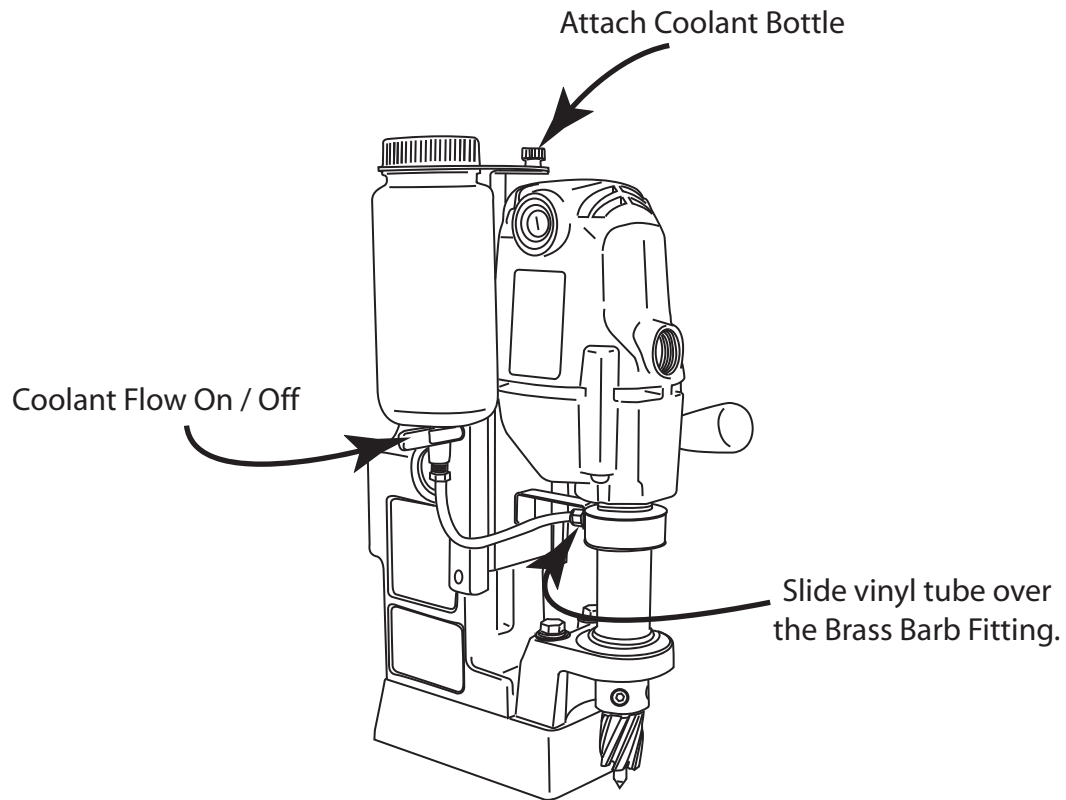
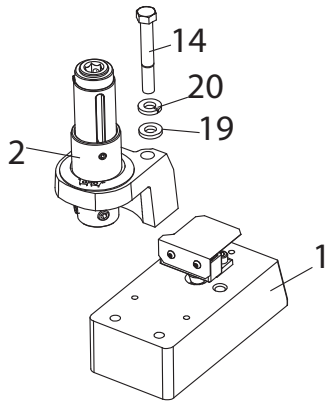
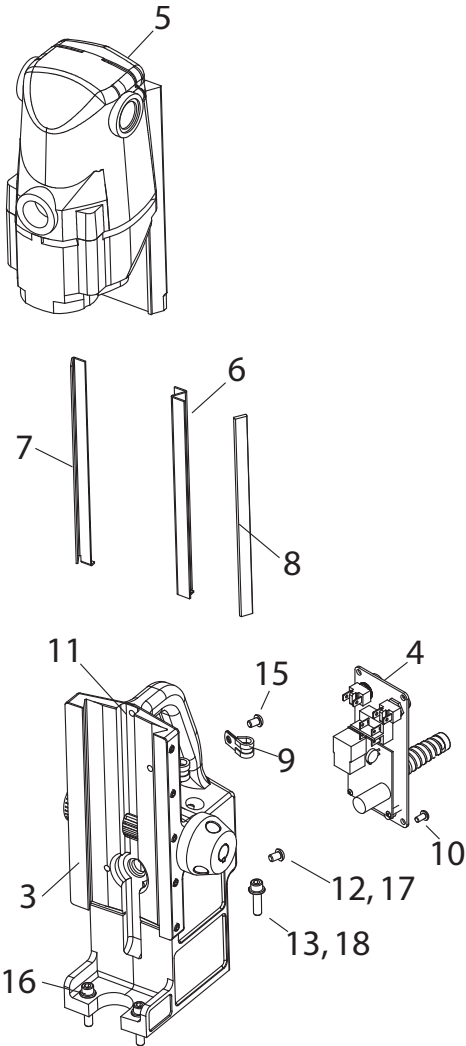


Coolant Bottle Assembly



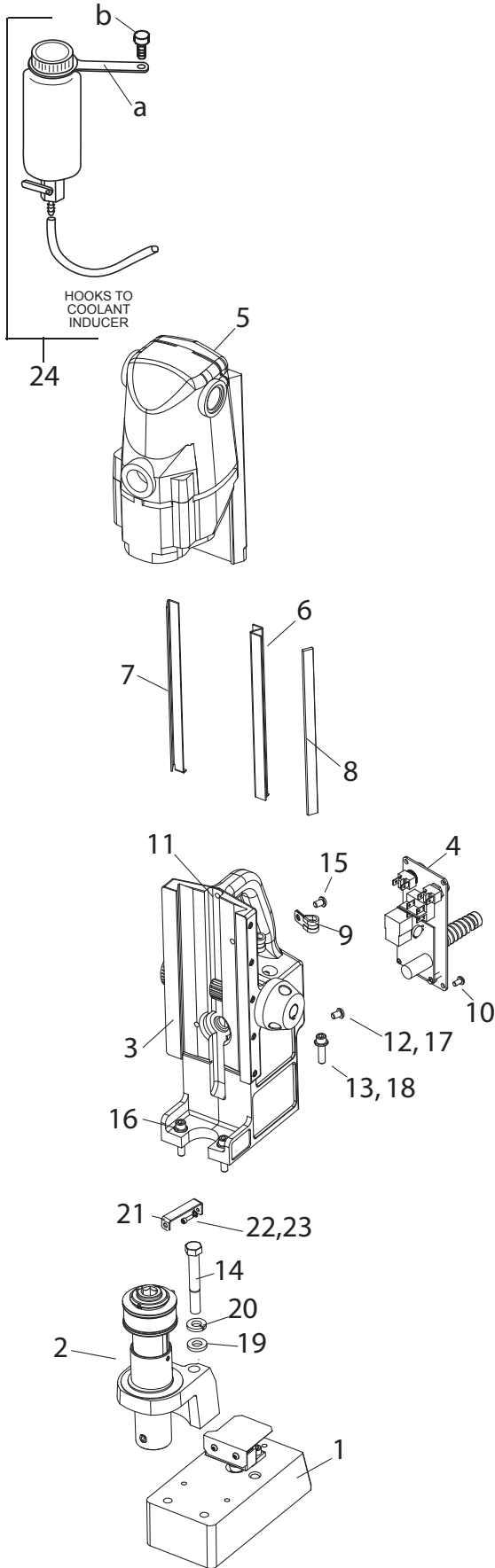
05060 Coolant Bottle Assembly	
05064	Round Bottle
05059	Coolant Bottle Bracket
05065	Ball Valve
05067	Brass Barb Fitting (bottom of the bottle)
40304	Vinyl Tube
07080	Brass Fitting (vinyl tube to coolant inducer) not included in 05060 kit.

Main Assembly Breakdown Standard Base



0904101 120v Mag Base Drill 0904201 230v Mag Base Drill			
Item	Part #	Description	Qty
1	*05378	Magnet & Switch Assembly Standard Base 120v	1
	*05392	Magnet & Switch Assembly Standard Base 230v	1
2	*05470	Arbor/Front Support Assembly	1
3	*07122	Housing Assembly 120v	1
	*07122	Housing Assembly 230v	1
4	*05188	Panel Assembly 120v	1
	*05290	Panel Assembly 230v	1
5	*05482	Motor Slide Assembly 120v	1
	*07179	Motor Slide Assembly 230v	1
6	02429	Brass Gib Right Hand	1
7	02430	Brass Gib Left Hand	1
8	02431	Steel Gib	1
9	02420	Cable Clamp	1
10	41044	Screw BHC #10-32 X 3/8	4
11	40432	Screw SHC 1/4-28 X 3/8	1
12	40214	Screw SHC #6-32 X 1/2 (ground)	1
13	40077	Screw SHC 1/4-20 X 1	1
14	02460	Hex Bolt 3/8-24 X 2-3/4	2
15	02461	Screw BHC 1/4-28 X 3/8	1
16	10553	Screw SHC 1/4-20 X 7/8	2
17	90052	Lock Washer	1
18	90028	Lock Washer	3
19	40392	Flat Washer	2
20	40391	Lock Washer	2
* See Following Pages for Detailed Breakdowns			

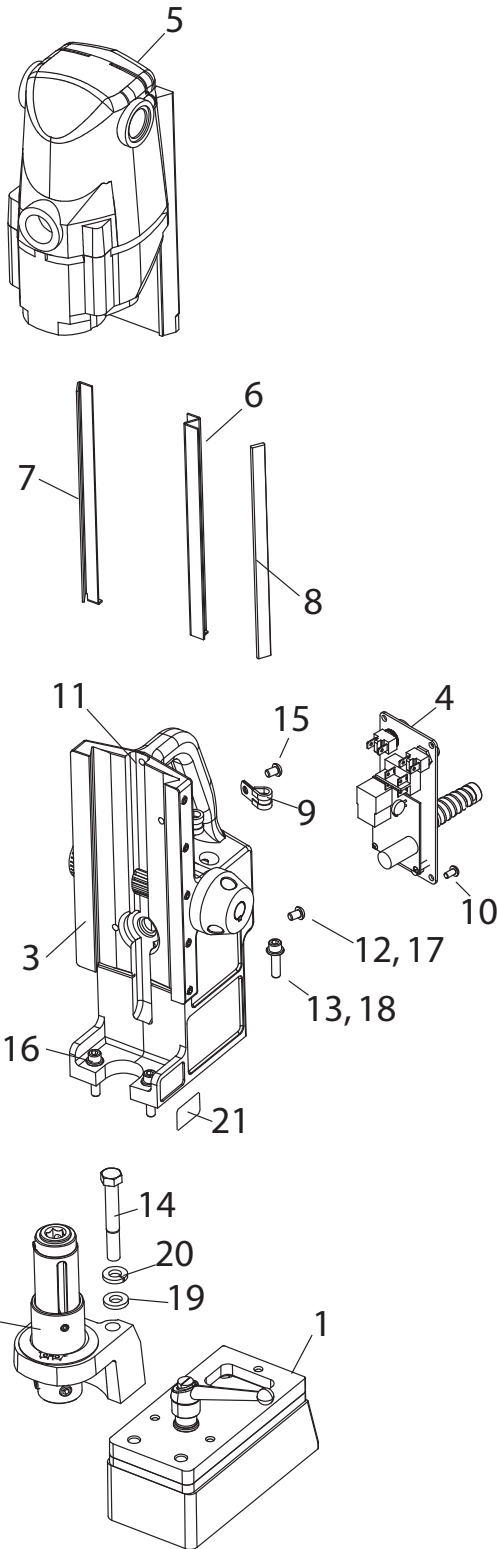
Main Assembly Breakdown Standard Base with Coolant



0904102 120v with Coolant 0904202 230v with Coolant			
Item	Part #	Description	Qty
1	*05378	Magnet & Switch Assembly Standard Base 120v	1
	*05392	Magnet & Switch Assembly Standard Base 230v	1
2	*07155	Arbor/Front Support Assembly	1
3	*07122	Housing Assembly 120v	1
	*04540	Housing Assembly 230v	1
4	*05188	Panel Assembly 120v	1
	*05290	Panel Assembly 230v	1
5	*05676	Motor Slide Assembly 120v	1
	*07180	Motor Slide Assembly 230v	1
6	02429	Brass Gib Right Hand	1
7	02430	Brass Gib Left Hand	1
8	02431	Steel Gib	1
9	02420	Cable Clamp	1
10	41044	Screw BHC #10-32 X 3/8	4
11	40432	Screw SHC 1/4-28 X 3/8	1
12	40214	Screw SHC #6-32 X 1/2 (ground)	1
13	40077	Screw SHC 1/4-20 X 1	1
14	02460	Hex Bolt 3/8-24 X 2-3/4	2
15	02461	Screw BHC 1/4-28 X 3/8	1
16	10553	Screw SHC 1/4-20 X 7/8	2
17	90052	Lock Washer	1
18	90028	Lock Washer	3
19	40392	Flat Washer	2
20	40391	Lock Washer	2
21	07163	Coolant Inducer Bracket	1
22	40038	Screw SHC #10-32 X 5/8	1
23	10560	Lock Washer	1
24	05060	Coolant Bottle Assembly	1
a	05059	Coolant Bottle Holder	1
b	05061	Thumb Screw	1

* See Following Pages for Detailed Breakdowns

Main Assembly Breakdown Swivel Base

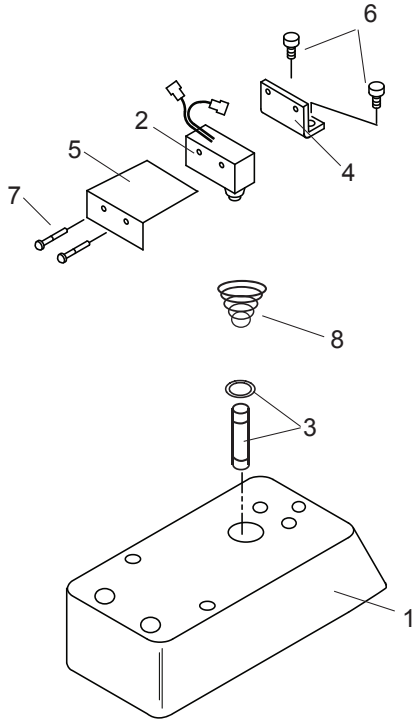


0904103 120v Swivel Base 0904203 230v Swivel Base

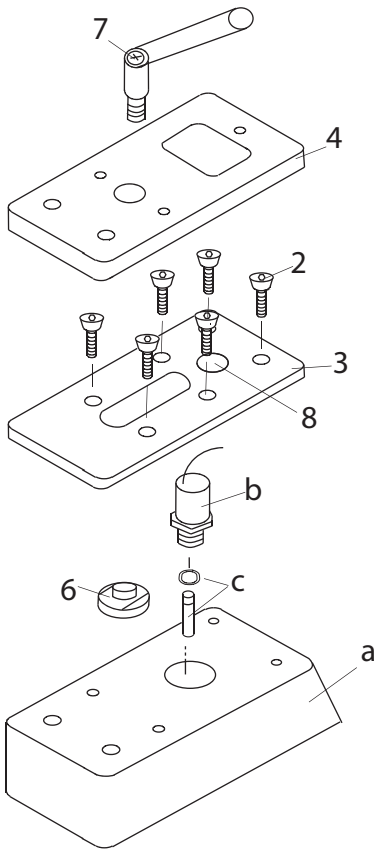
Item	Part #	Description	Qty
1	*05648	Magnet & Switch Assembly Swivel Base 120v	1
	*05894	Magnet & Switch Assembly Swivel Base 230v	1
2	*05733	Arbor/Front Support Assembly	1
3	*04540	Housing Assembly	1
4	*05188	Panel Assembly 120v	1
	*05290	Panel Assembly 230v	1
5	*05667	Motor Slide Assembly 120v	1
	*07180	Motor Slide Assembly 230v	1
6	02429	Brass Gib Right Hand	1
7	02430	Brass Gib Left Hand	1
8	02431	Steel Gib	1
9	02420	Cable Clamp	1
10	41044	Screw BHC #10-32 X 3/8	4
11	40432	Screw SHC 1/4-28 X 3/8	1
12	40214	Screw SHC #6-32 X 1/2 (ground)	1
13	40077	Screw SHC 1/4-20 X 1	1
14	05736	Hex Bolt 3/8-24 X 2	2
15	02461	Screw BHC 1/4-28 X 3/8	1
16	10553	Screw SHC 1/4-20 X 7/8	2
17	90052	Lock Washer	1
18	90028	Lock Washer	3
19	40392	Flat Washer	2
20	40391	Lock Washer	2
21	07015	Swivel Base Label lock/unlock	1

* See Following Pages for Detailed Breakdowns

Magnet Assembly Breakdowns

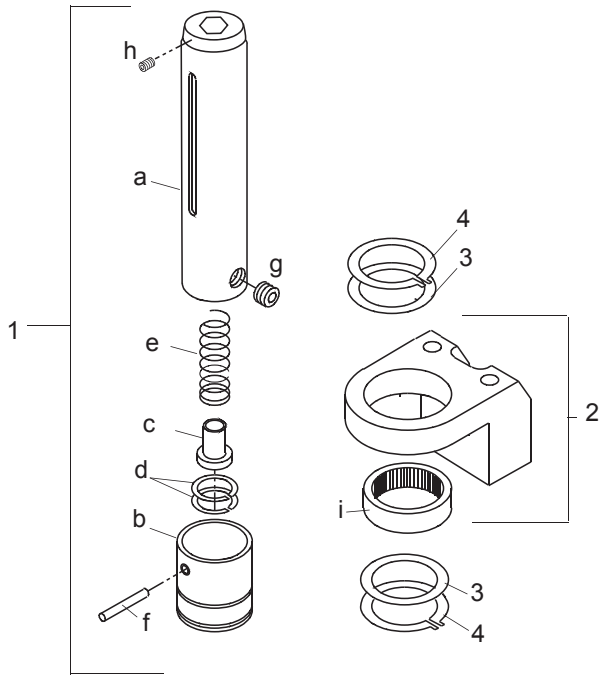


05378 Magnet Assembly 120v			
05392 Magnet Assembly 230v			
Item	Part #	Description	Qty
1	05377	Magnet Assembly 120v	1
	05391	Magnet Assembly 230v	1
2	04885	Safety Switch Assembly	1
3	04910	Plunger Assembly	1
4	04909	Safety Switch Bracket	1
5	10983	Micro Switch Shield	1
6	10971	Screw SHC 1/4-20 X 1/2	2
7	10972	Screw BHC #6-32 X 7/8	2
8	17271	Tapered Spring	1

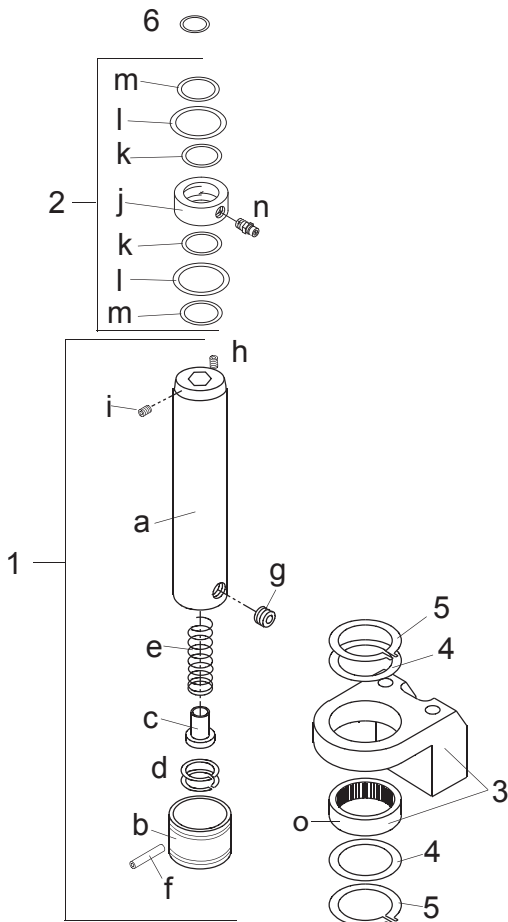


05648 Swivel Magnet Assembly 120v			
05894 Swivel Magnet Assembly 230v			
Item	Part #	Description	Qty
1	05649	Magnet/Safety Switch Assembly 120v includes a-c	1
	05895	Magnet/Safety Switch Assembly 230v includes a-c	
a	05650	Magnet Assembly 120v	1
	05896	Magnet Assembly 230v	1
b	05652	Ball Switch Assembly	1
c	04910	Plunger	1
2	05743	Screw FHC 1/4-20 X 3/4	6
3	05657	Slide Housing	1
4	05656	Swivel Housing	1
5	01169	Dowel Pin 1/8 X 3/8	1
6	05658	Pivot Rod	1
7	05659	Clamp Handle Assembly	1
8	10771	Grommet	1

Arbor/Front Support Assembly Breakdowns



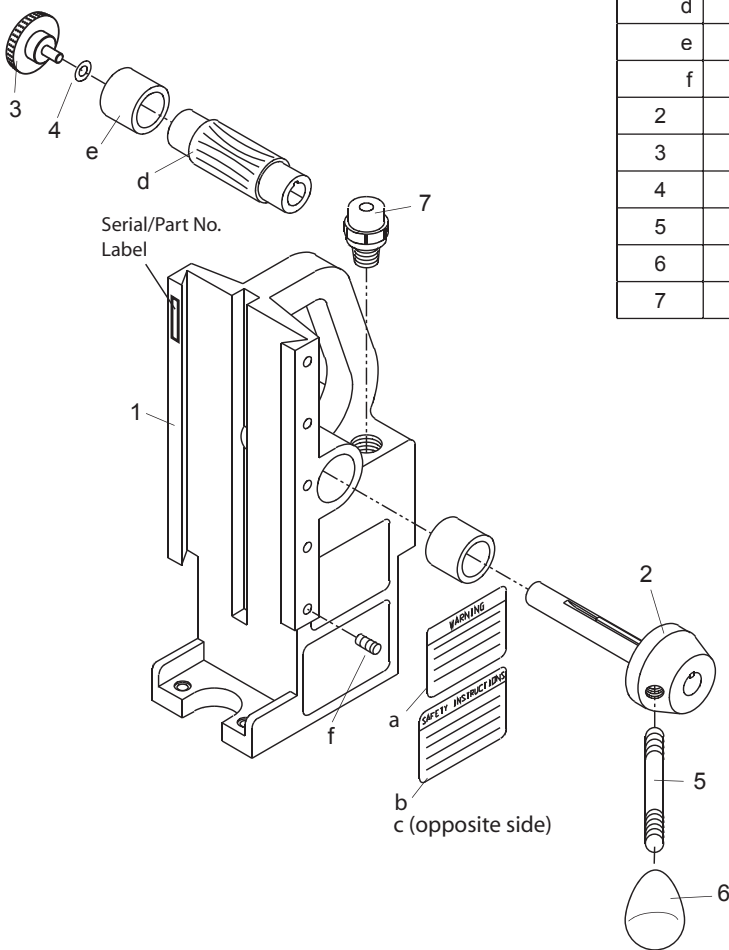
05470 Arbor & Front Support Bracket Assy. non-swivel			
05733 Arbor & Front Support Bracket Assy. swivel			
Item	Part #	Description	Qty
1	05469	Arbor & Collar Assembly (swivel & non-swivel base)	1
a	05458	Arbor Body	1
b	01441	Ejection Collar	1
c	01439	Spring Seat	1
d	10517	Retain. Ring	2
e	05049	Spring	1
f	40312	Roll Pin	1
g	10506	Set Screws 3/8-24 X .305	2
h	05473	Set Screw #10-32 X 3/8	2
2	04375	Front Support Bracket (non-swivel)	1
	05734	Front Support Bracket (swivel)	1
i	40232	Needle Bearing	1
3	40234	Thrust Washer	2
4	40398	Retain. Ring	2



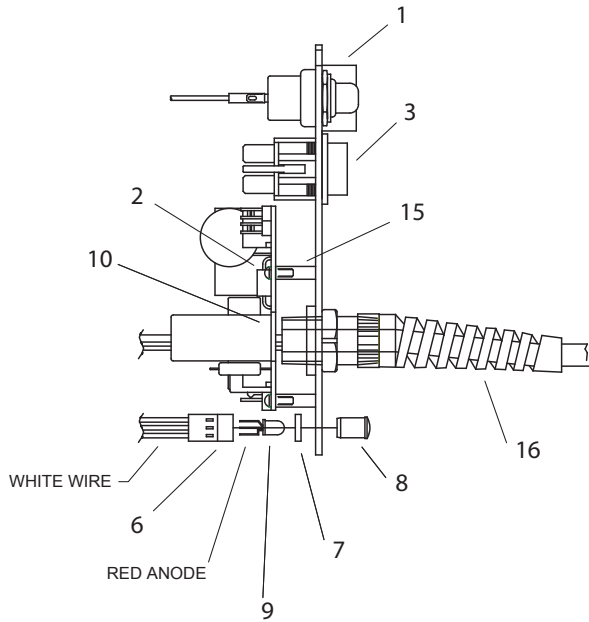
07155 Coolant Arbor Assembly			
Item	Part #	Description	Qty
1	07157	Arbor & Collar Assembly	1
a	07159	Arbor Body	1
b	07162	Ejection Collar	1
c	07161	Spring Seat	1
d	10517	Retain. Ring	2
e	05049	Spring	1
f	40312	Roll Pin	1
g	10506	Set Screws 3/8-24 X .305	2
h	07083	Set Screw m6 X 1 X 5mm	2
i	05628	Set Screw 1/4-28 X 3/8	2
2	07158	Coolant Inducer Assembly	1
j	07160	Inducer Ring	1
k	40300	O-Ring	2
l	40301	Washer	2
m	40302	Retain Ring	2
n	07080	Hose Fitting	1
3	04375	Front Support Bracket Assembly	1
o	40232	Needle Bearing	1
4	40234	Thrust Washer	2
5	40398	Retain. Ring	2
6	04391	O-Ring	1

Housing Assembly Breakdown

07122 Housing Assembly (CSA) 04540 Housing Assembly			
Item	Part #	Description	Qty
1	07121	Housing Assembly for 07122 assy. (includes a-f)	1
	04541	Housing Assembly for 04540 assy. (includes a-f)	
a	07027	CSA Warning Label for 07122 assy.	2
	04530	Warning Label for 04540 assy.	2
b	04529	Safety Label (shown)	1
c	07028	CSA Safety Chain Label for 07122 assy	1
	04553	Safety Chain Label for 04540 assy	1
d	40229	Feed Gear	1
e	40231	Bronze Bushing	2
f	40237	Gib Screws	5
2	40254	Hub Assembly	1
3	05839	Comfort Grip Knob	1
4	10679	Flat Washer	1
5	04558	Feed Handle	3
6	04532	Feed Handle Knob	3
7	02411	Strain Relief	1

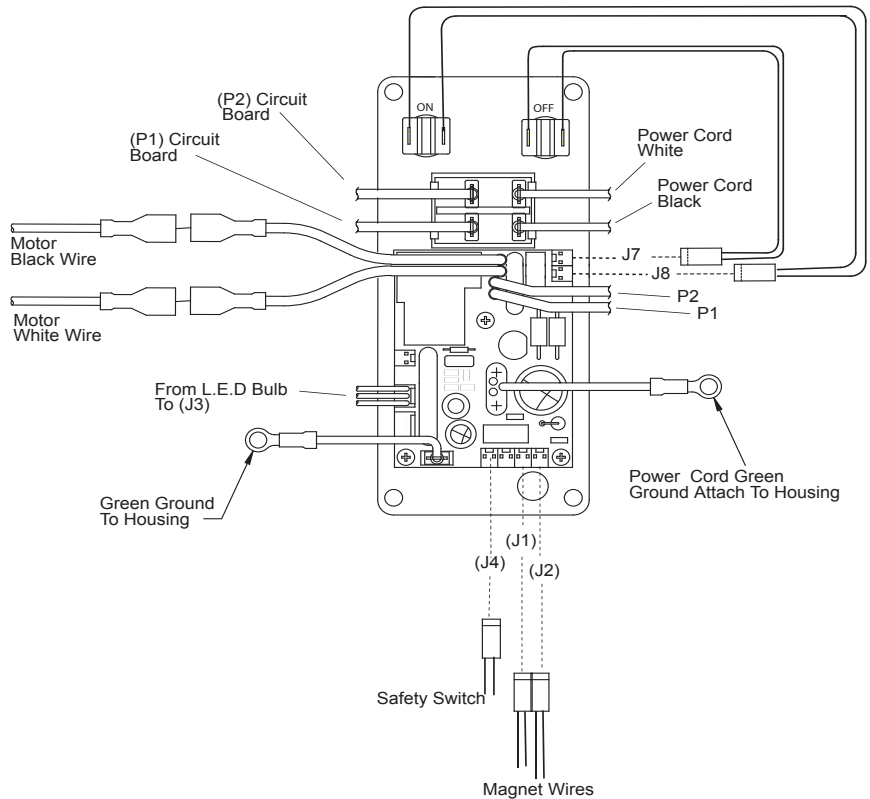
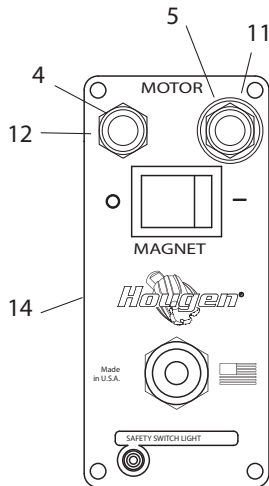


Control Panel Breakdown 120v



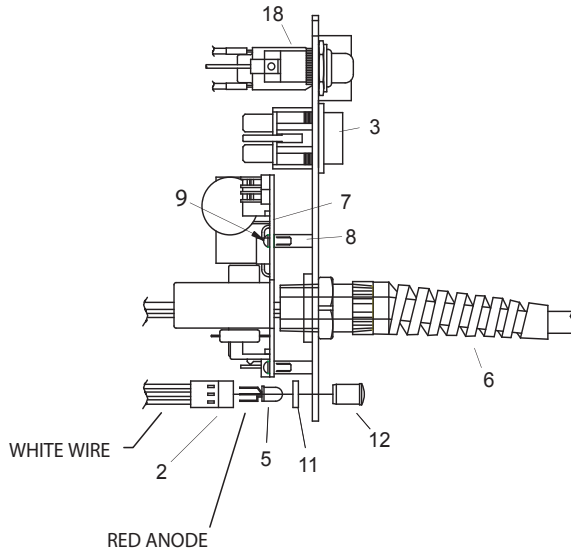
NOTE: WHEN INSERTING L.E.D. DETAIL#5 INTO HARNESS DETAIL#2 MAKE SURE FLAT ON BULB LINES UP WITH WHITE WIRE ON HARNESS.

05188 120v Panel Assembly			
Item	Part #	Description	Qty.
1	01226	Switch Guard	1
2	02547	#4-40 x 5/16 Screw	3
3	04614	Magnet Switch	1
4	04643	Red Switch Cover	1
5	04644	Green Switch Cover	1
6	04877	Wire Harness	1
7	04878	Spacer	1
8	04879	Clear Lens	1
9	04881	Bulb L.E.D	1
10	05826	Circuit Board	1
11	05871	Motor ON Switch	1
12	05872	Motor OFF Switch	1
13	*05205	Green Wire Assembly	1
14	07011	Faceplate	1
15	07012	Stand-Off 3/16 x 9/16 LG	3
16	90571	Power Cord	1
17	*90690	Cable Tie	1
		*not shown	

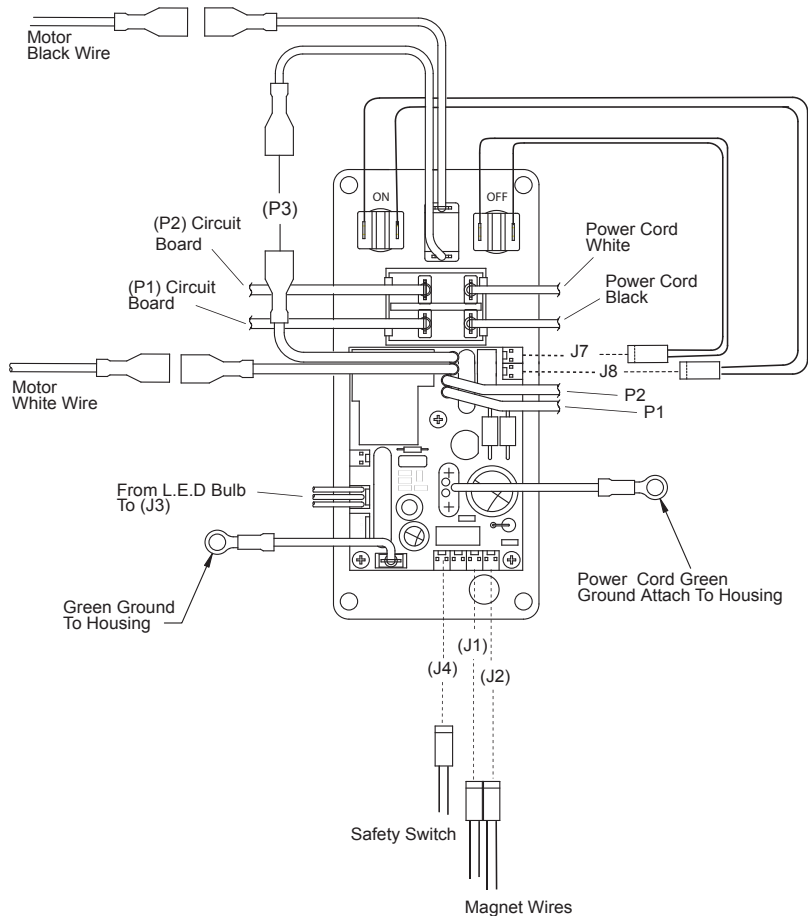
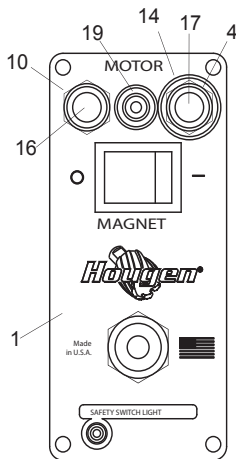


Control Panel Breakdown 230v

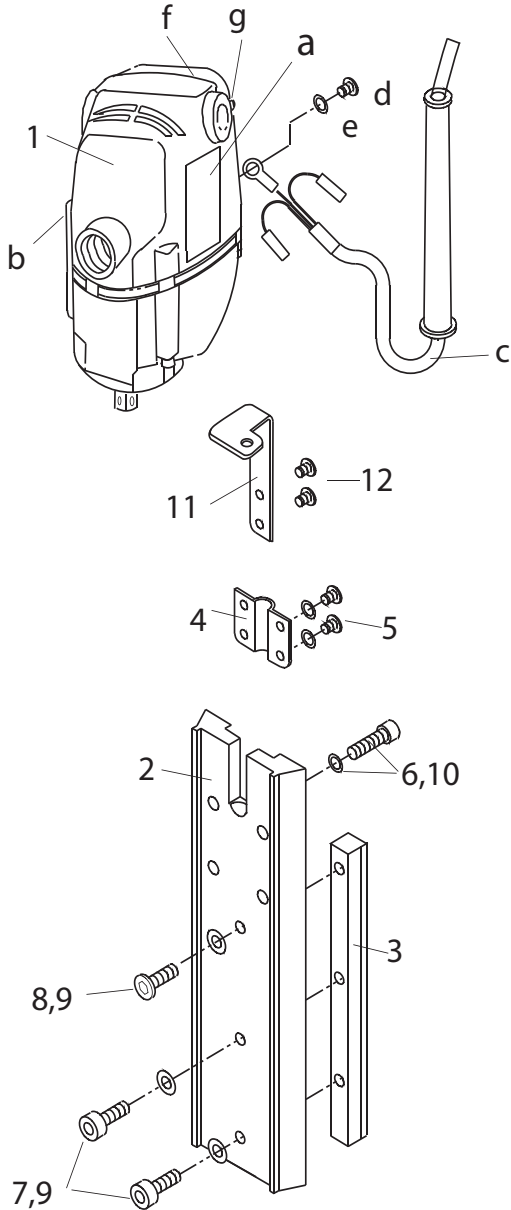
05290 230v Panel Assembly			
Item	Part #	Description	Qty.
1	05929	Faceplate	1
2	04877	Wire Harness	1
3	04664	Magnet Switch	1
4	05871	Motor ON Switch	1
5	04881	Bulb L.E.D	1
6	05424	Power Cord (230v)	1
7	05827	Circuit Board (230v)	1
8	02548	Stand-Off 3/16 x 9/16 LG	3
9	02547	#4-40X5/16 Phillips Head Screw	3
10	05872	Motor OFF Switch	1
11	04878	Spacer	1
12	04879	Clear Lens	1
13	*90690	Cable Tie	1
14	01226	Switch Guard	1
15	*05205	Wire Harness (board to housing)	1
16	04643	Red Switch Cover	1
17	04644	Green Switch Cover	1
18	05926	Circuit Breaker	1
19	05928	Rubber Boot Seal	1
		*not shown	



NOTE: WHEN INSERTING L.E.D. DETAIL#5 INTO HARNESS DETAIL#2 MAKE SURE FLAT ON BULB LINES UP WITH WHITE WIRE ON HARNESS.



Motor Slide Assembly Breakdown



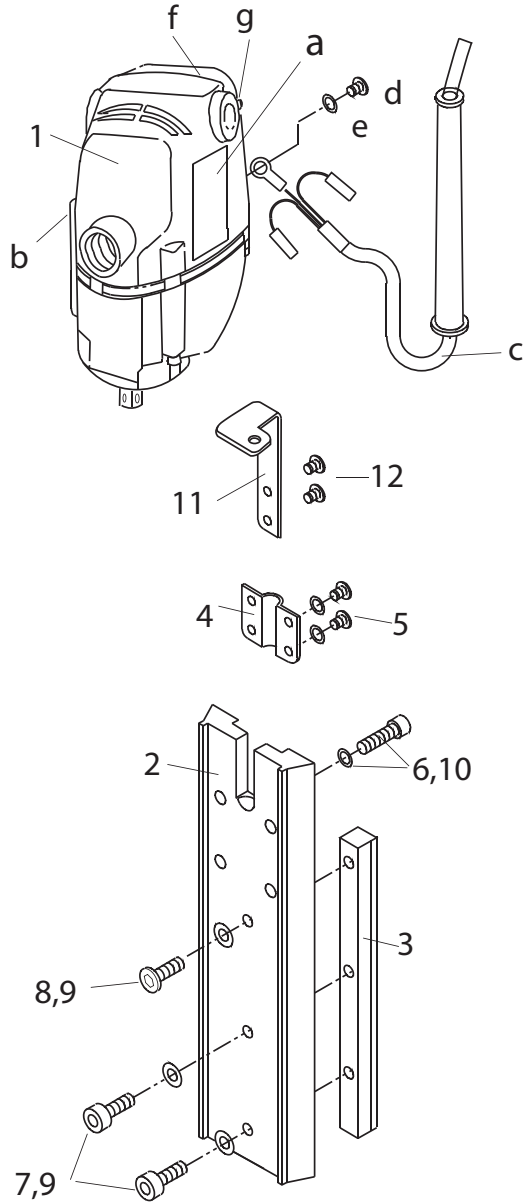
05482 Motor & Slide Assembly 120v 07179 Motor & Slide Assembly 230v

Item	Part #	Description	Qty
1	05477	Motor Assembly 120v	1
	07181	Motor Assembly 230v	1
a	04527	Motor Label	1
b	04528	Specs Label 120v	1
	04042	Specs Label 230v	1
c	02413	Motor Cord	1
d	11053	Screw BHS #8-32 X 3/16	1
e	10538	Lock Washer	1
f	04502	Inspection Cover	1
g	75289	Screw Pan Head M5 X 8MM	2
2	04500	Slide	1
3	02428	Rack Gear	1
4	02422	Motor Cord Bracket	1
5	41044	Screw BHC #10-32 X 3/8	4
6	75156	Screw SHC M6 X 1 X 15mm	4
7	40038	Screw SHC #10-32 X 5/8	2
8	90077	Screw BHC #10-32 X 1/2	1
9	10560	Lock Washer	3
10	90028	Lock Washer	4

05676 Motor/Slide Assembly 120v with Coolant 07180 Motor/Slide Assembly 230v with Coolant

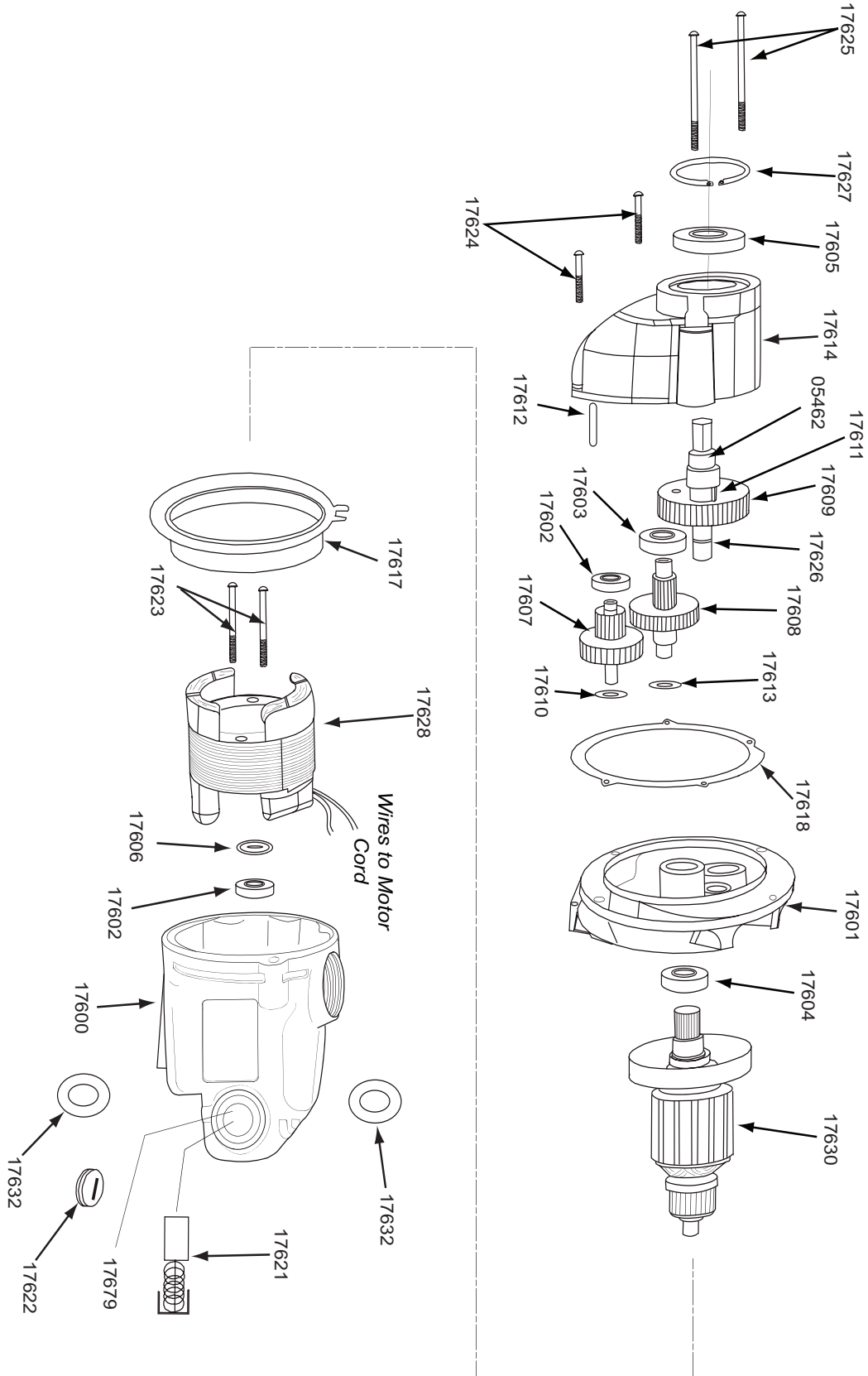
Item	Part #	Description	Qty
1	05477	Motor Assembly 120v includes a-g	1
	07181	Motor Assembly 230v includes a-g	1
a	04527	Motor Label (both assemblies)	1
b	04528	Specs Label (05676 assembly)	1
	04042	Specs Label (07180 assembly)	1
c	02413	Motor Cord	1
d	11053	Screw BHS #8-32 X 3/16	1
e	10538	Lock Washer	1
f	04502	Inspection Cover	1
g	75289	Screw Pan Head M5 X 8MM	2
2	04500	Slide (05676 assembly)	1
	05824	Slide (07180 assembly)	1
3	02428	Rack Gear (05676 assembly)	1
	05825	Rack Gear (07180 assembly)	1
4	02422	Motor Cord Bracket	1
5	41044	Screw BHC #10-32 X 3/8	4
6	75156	Screw SHC M6 X 1 X 15mm	4
7	40038	Screw SHC #10-32 X 5/8	2
8	90077	Screw BHC #10-32 X 1/2	1
9	10560	Lock Washer	3
10	90028	Lock Washer	4
11	05057	Bottle Holder Bracket	1
12	05988	Screw FHC #10-32 X 1/2	2

Motor Slide Assembly Breakdown



05667 Motor & Slide Assembly 120v Swivel			
Item	Part #	Description	Qty
1	05477	Motor Assembly 120v	1
a	04527	Motor Label	1
b	04528	Specs Label	1
c	02413	Motor Cord	1
d	11053	Screw BHS #8-32 X 3/16	1
e	10538	Lock Washer	1
f	04502	Inspection Cover	1
g	75289	Screw Pan Head M5 X 8MM	2
2	05668	Slide - Swivel Base	1
3	05669	Rack Gear - Swivel Base	1
4	02422	Motor Cord Bracket	1
5	41044	Screw BHC #10-32 X 3/8	4
6	75156	Screw SHC M6 X 1 X 15mm	4
7	40038	Screw SHC #10-32 X 5/8	2
8	90077	Screw BHC #10-32 X 1/2	1
9	10560	Lock Washer	3
10	90028	Lock Washer	4
Items 11 & 12 are for Machines with Coolant			
11	05057	Bottle Holder Bracket	1
12	05988	Screw FHC #10-32 X 1/2	2

MOTOR PARTS DIAGRAM 120v



MOTOR PARTS DIAGRAM 230v

