

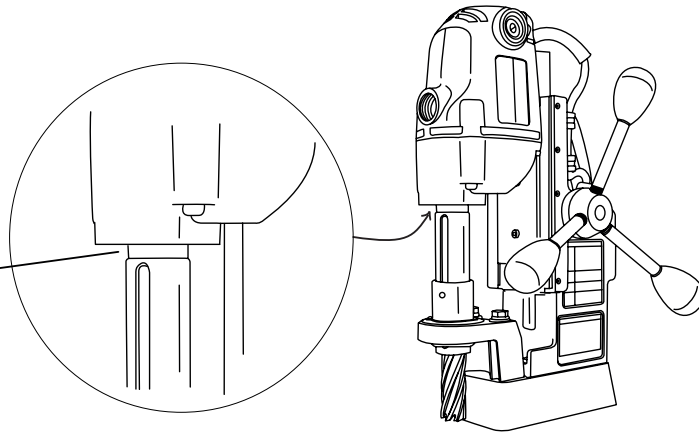
01829 SPINDLE ADAPTER KIT

For use on Hougén Drill Models 10904, HMD904 & HMD908

The 01829 Adapter Kit is to be used to install a 3-Jaw Chuck onto a "Threaded" spindle. On this set-up, the Arbor Body will thread directly onto the bottom of the Motor Assembly (refer to dia. 1).

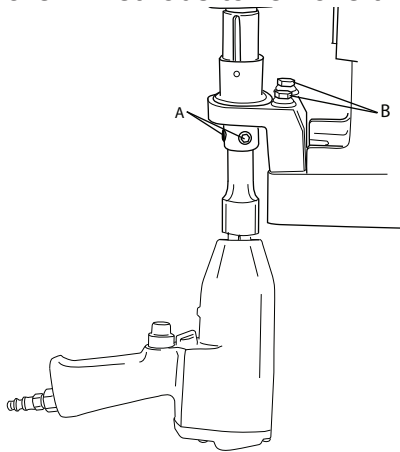
1

This style will **not** have set-screws here. If your machine has set-screws in this area use 05536 Adapter



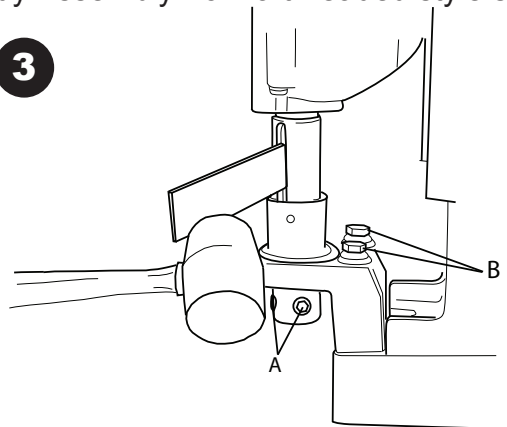
There are 2 methods to remove the Arbor Body Assembly from a threaded style spindle.

2



One method is to use an 1/2 drive Impact Gun with a short extension (refer to dia. 2). The extension can be installed into the bottom of the Arbor Body Assembly as a cutter would. Tighten the set-screws (A) and use the Impact Gun in the counter-clockwise direction to remove the Arbor Body.

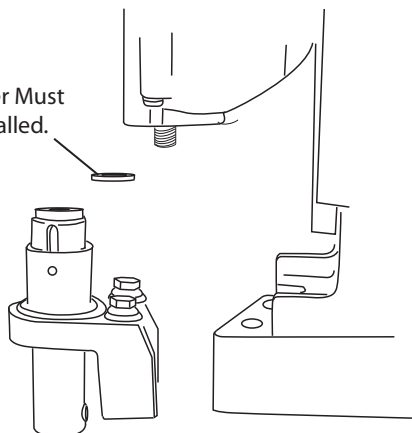
3



Another method is to use a Dead Blow Hammer and a Flat Metal Bar (refer to dia. 3). With the Magnet "ON" and attached to a metal plate. Insert the Flat Metal Bar into the slot of the Arbor Body. With a Dead Blow Hammer, strike the flat bar quick and firm to shock the Arbor Body loose. Un-thread the Arbor Body completely and remove the bolts from the Magnet (B).

4

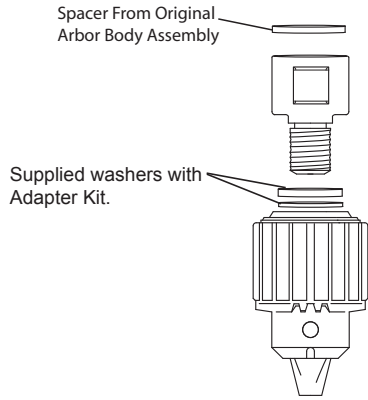
This Spacer Must Be Re-installed.



When the Arbor Body Assembly is removed be aware of the Spacer between the Arbor Body Assembly and the Motor Assembly. Refer to the next page to install the 3-Jaw Chuck Assembly.

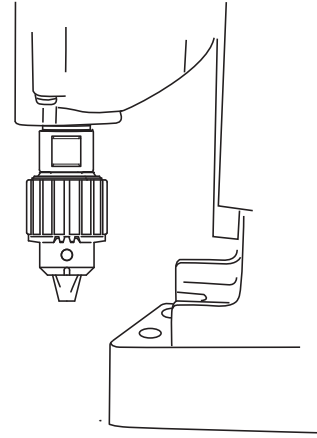
Continued

5

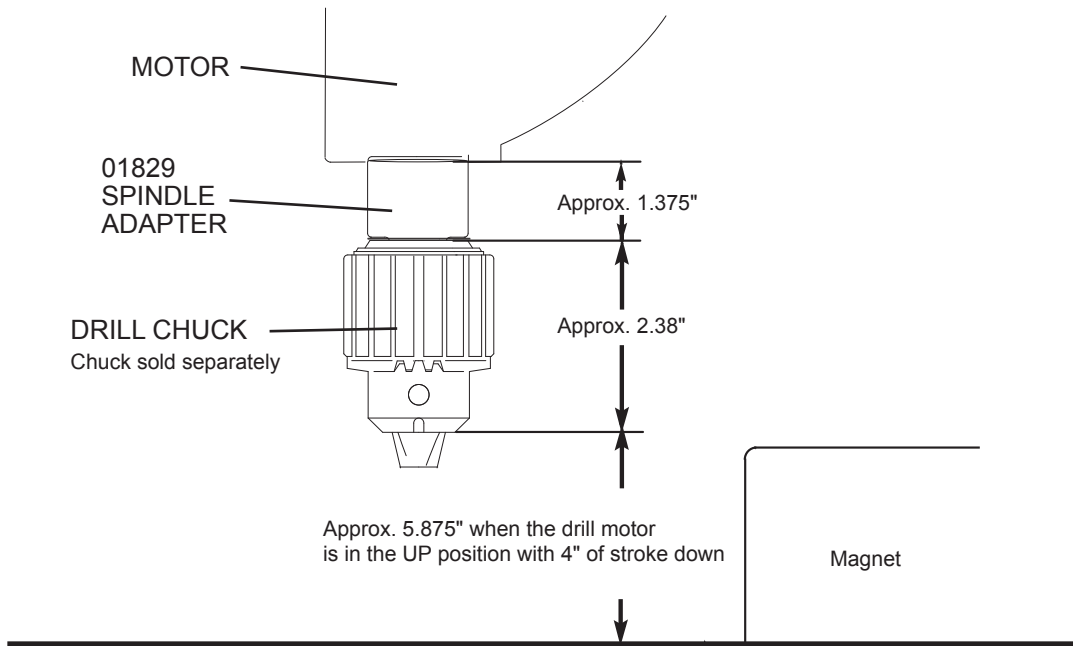


Your 3-Jaw Chuck is now installed. Select the proper twist bit for your application and follow Operating Procedures for the Hougen Magnet Based Drill you are using.

6



Thread the 3-Jaw Chuck onto the Spindle Adapter keeping the supplied washers centered, until tight. Now thread the complete assembly up onto the bottom of the motor.



Hougen Manufacturing, Inc.
 P.O. Box 2005 • Flint, MI 48501-2005
 3001 Hougen Drive • Swartz Creek, MI 48473
 Phone (810) 635-7111 • Fax (810) 635-8277
 www.hougen.com • info@hougen.com
 © 2019 Hougen Manufacturing, Inc.