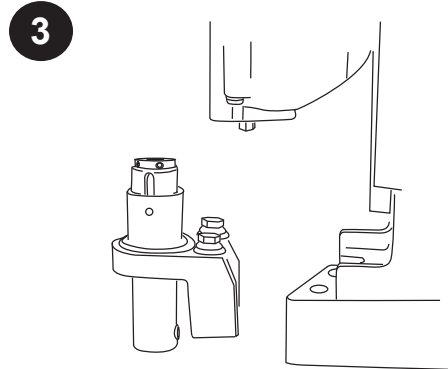
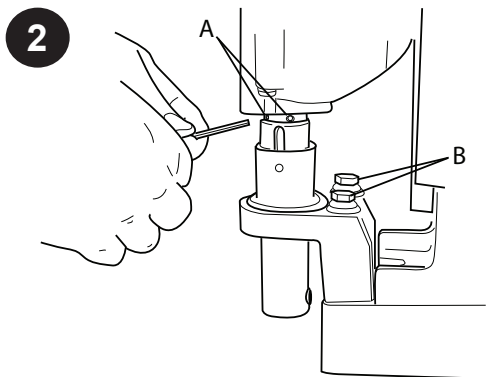
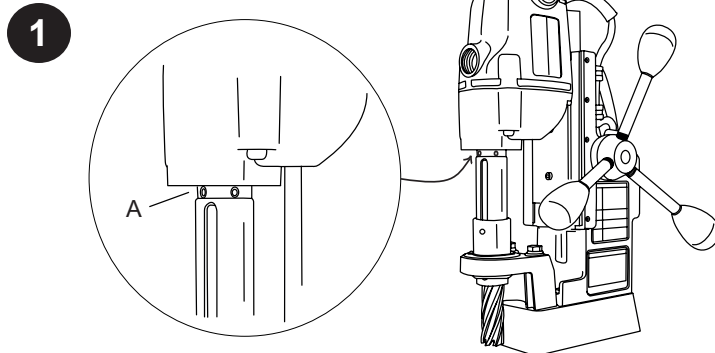


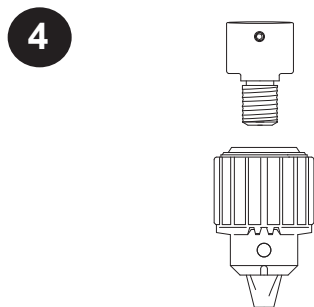
SPINDLE ADAPTER KIT 05536

For use on Hougen Drill Models HMD904, HMD908 & HMD925

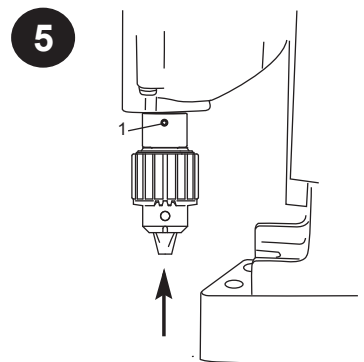
The 05536 Adapter Kit is to be used to install a Jacobs Chuck(sold separately) onto a "Hex Drive" spindle. The Hex Drive Assembly will have 2) 1/4-28 X 3/8 set screws (Fig.1) at the top of the arbor body. If your HMD904 or HMD908 does not have these set screws the Arbor Assembly is a Threaded Spindle and will require the use of Spindle Adapter 01829.



Remove the set screws (A) from the top of the Arbor Body and the Front Support Bracket Bolts (B) from the front of the Magnet. Once these are removed the Arbor Body Assembly can be removed from the Drill Assembly.



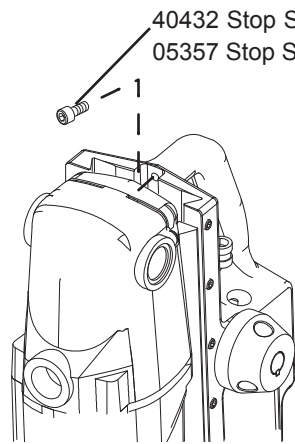
Chuck sold separately



Thread the 3-Jaw Chuck onto the Spindle Adapter until tight. Now slide the complete assembly up onto the Hex Spindle at the bottom of the motor. While pushing up on the Spindle Adapter / Chuck Assembly, turn the set screw in at the top of the Adapter until tight; as shown in Fig.5.

Continued

6

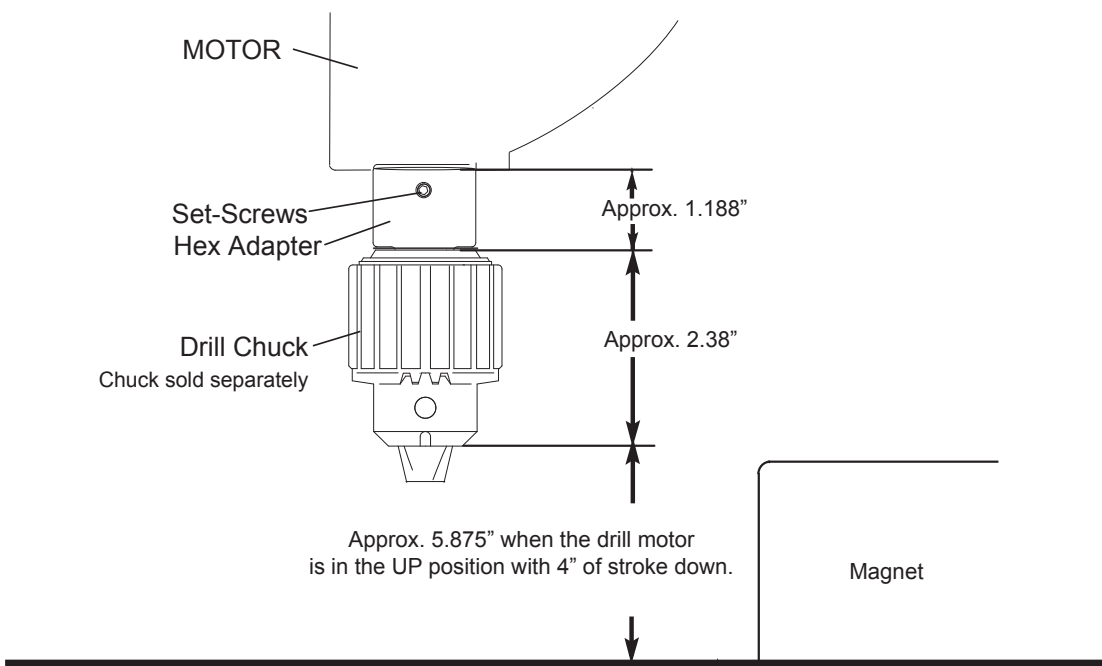


40432 Stop Screw SHC 1/4-28 X 3/8 to use with the HMD904 or HMD908.
 05357 Stop Screw SHC 1/4-28 X 7/8 to use with the HMD925.

Now that the Chuck and Adapter is installed, part number 40432 Stop Screw needs to be installed on the HMD904 & HMD908 or install the 05357 on the HMD925. This Stop Screw should be threaded into the top of housing in front of the Motor Assembly as shown in Diagram 6.

Your 3-Jaw Chuck is now installed. Select the proper twist bit for your application and follow Operating Procedures for the Hougen Magnet Based Drill you are using.

(05536) SPINDLE ADAPTER KIT



Hougen Manufacturing, Inc.
 P.O. Box 2005 • Flint, MI 48501-2005
 3001 Hougen Drive • Swartz Creek, MI 48473
 Phone (810) 635-7111 • Fax (810) 635-8277
 www.hougen.com • info@hougen.com
 © 2019 Hougen Manufacturing, Inc.